

WWW. **BUYDEEM** .COM



Scan Buydeem  
WeChat for free recipe

### Shenzhen Crastal Technology Co., Ltd.

Address: 8/F, Block A7, Nanshan iPark, 1001 Xueyuan Road, Taoyuan Street, Nanshan District, Shenzhen City, China  
Email: support-US@buydeem.com

K2684-91-A1  
In case of any minor changes, please refer to the real product.

**BUYDEEM**



## Health-care Beverage Maker K2684 Operation Instruction

\*Please read this instruction before use and visit [www.buydeem.com](http://www.buydeem.com) for more information.

## CONTENTS

I. Safety Precautions . . . . .	2
II. Technical Specifications . . . . .	3
III. Product Instruction . . . . .	4
1. Product Structure Diagram . . . . .	4
2. Function Introduction . . . . .	5
3. Glass Stew Pot Introduction . . . . .	7
IV. Usage Of Product . . . . .	8
1. Initial Use . . . . .	8
2. Quick Installation . . . . .	8
3. How To Use . . . . .	9
4. Special Functions . . . . .	17
V. Cleaning And Maintenance . . . . .	20
VI. Troubleshooting . . . . .	21
VII. Warranty And Service . . . . .	22

Thank you for purchasing Buydeem Health-care Beverage Maker. Please read this manual and the relevant illustrations thoroughly before use and keep in a safe place for further reference.

### Safety Precautions

#### IMPORTANT SAFEGUARDS

When using electrical appliances, basic safety precautions should be followed, including the following:

1. Read all instructions.
2. Do not touch hot surfaces. Use handles or knobs.
3. To protect against fire, electric shock and injury to persons do not immerse cord, plugs, kettle body & base in water or other liquid
4. Close supervision is necessary when any appliance is used by or near Children.
5. Unplug from outlet when not in use and before cleaning. Allow to cool before putting on or taking off parts, and before cleaning the appliance.
6. Do not operate any appliance with a damaged cord or plug or after the appliance malfunctions, or has been damaged in any manner.
7. The use of accessory attachments not recommended by the appliance manufacturer may result in fire, electric shock or injury to persons.
8. Do not use outdoors.
9. Do not place on or near a hot gas or electric burner, or in a heated oven.
11. Always attach plug to appliance first, then plug cord into the wall outlet. To disconnect, turn any control to 'OFF' then remove plug from the wall outlet.
12. Do not use appliance for other than intended use.
13. Scalding may occur if the lid is removed during the brewing cycles.
14. Open the covering lid through the lid handle only. Then store it well for placement.
15. Caution: do not immerse in water.
  - A: The container is designed for use with this appliance. It must never be used on a range top.
  - B: Do not set a hot container on a wet or cold surface.
  - C: Do not use a cracked container or a container having a loose or weakened handle.
  - D: Do not clean container with cleansers, steel wool pads, or other abrasive material.

# Catalog

Extreme caution must be used when moving an appliance containing hot oil or other hot liquids.

Avoid sudden temperature changes, such as adding refrigerated foods into a heated pot.

### SAVE THESE INSTRUCTIONS:

Note: This electrical appliance is for Household use only.

#### Power cord

A short power-supply cord is provided to reduce risks resulting from becoming entangled in or tripping over a longer cord.

Long extension cords are available and may be used if care is exercised in their use.

If a long extension cord is used:

- 1) The marked electrical rating of the extension cord should be at least as great as the electrical rating of the appliance;
- 2) If the appliance is of the grounded type, the extension cord should be a grounding type 2-pin cord;and
- 3) The longer cord should be arranged so that it will not drape over the counter top or table where it can be pulled on by children or tripped over.

### Technical specifications

**Product name: Health-care Beverage Maker**

**Model: K2684**

**Power: 1000 W**

**Voltage:120 V~60 HZ**

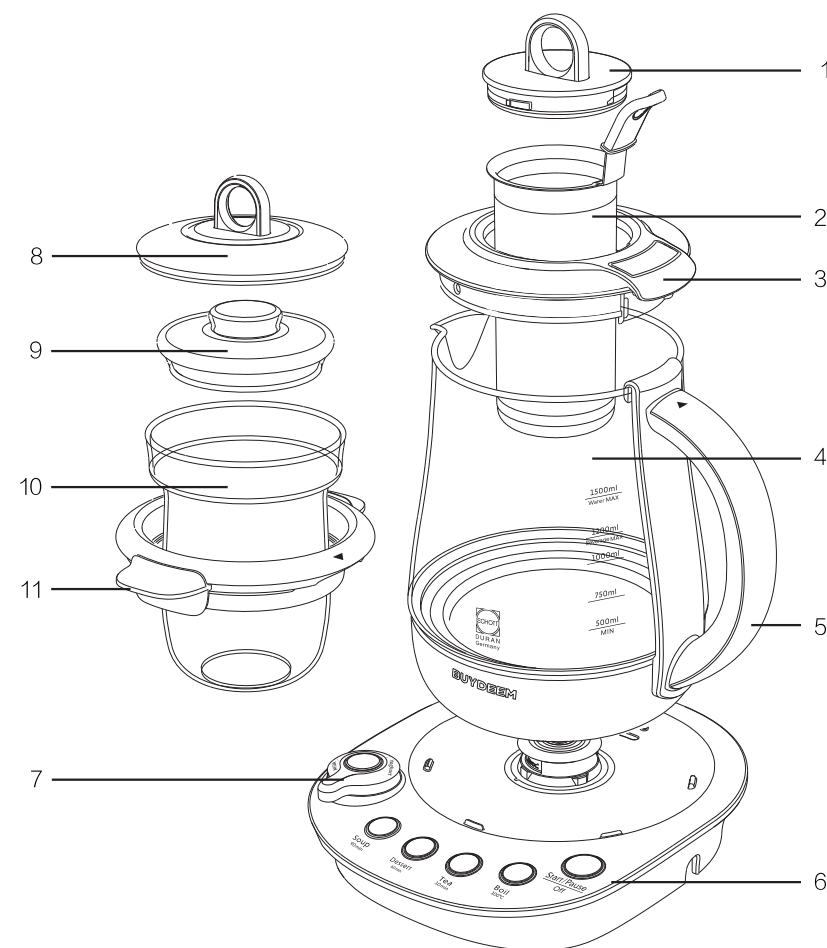
**Maximum capacity: 1.5 L**

**SUS304 and SUS316 stainless steel for food contact is adopted.**

# Product Introduction

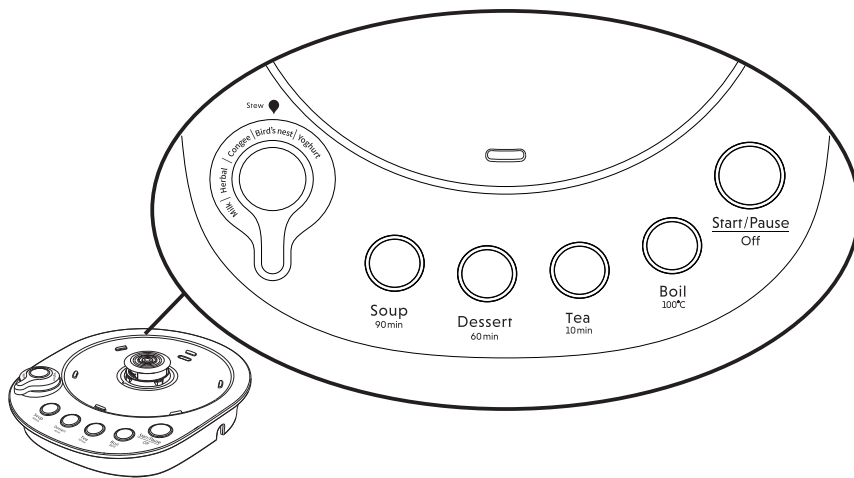
### Product Structure Diagram

1. Tea basket lid
2. Filtering tea basket
3. Kettle cover
4. Kettle body
5. Stay--cool Handle
6. Operation power base
7. Stew function knob
8. Stew pot bracket cover
9. Inner cap of the glass stew pot
10. Glass stew pot
11. Stew pot bracket holder



# Product Introduction

## Function introduction



### Start / Pause (Off)

This button is normally on when it is working, but would blink when paused. You can press the button of "start / pause" when the Health-care Beverage Maker is working and it is suspended after button flashing, and starts to work if it is pressed again when the button is on. If you need to cancel the set function or shut down, just press this button for two seconds, the Health-care Beverage Maker will stop working and enter the standby mode after the button is completely off. If you need to switch to other function modes after the Health-care Beverage Maker works for one minute, please press the "start / pause" button and select other functions.

### Boil

This function is used for boiling water. If selected, the Health-care Beverage Maker is heated quickly to boil. The kettle would give a 'beep' tone when boiling, then stop running automatically and enters the standby mode.

### Tea (10 min)

This function is used to make flower tea, fruit tea, blending tea, and other teas. If selected, the Health-care Beverage Maker is heated quickly to boil and works in accordance with this pattern for 10 minutes. Then, the kettle will give a "beep" tone, which means that the work is finished and it will be automatically kept to 70°C for 2 hours. 2 hours later, the Health-care Beverage Maker stops completely and enters standby mode.

### Dessert (60 min)

This function is used for cooking beans, red dates, lotus seeds, and other materials. If selected, the Health-care Beverage Maker is heated quickly to boil and works in accordance with this pattern for 1 hour. Then the kettle will give a "beep" tone, which means that the work is finished and it will be automatically kept to 70°C for 2 hours. 2 hours later, the Health-care beverage maker stops completely and enters standby mode.

# Product Introduction

## Soup (90 min)

This function is used for cooking Chinese soup, pearl barley and other nourishing soup. If selected, the Health-care Beverage Maker is heated quickly to boil and works in accordance with this pattern for 1.5 hours. Then the kettle will give a "beep" tone, which means that the work is finished and it will be automatically kept to 70°C for 2 hours. 2 hours later, the Health-care Beverage Maker stops completely and enters standby mode.

## Stew function knob (the following functions are used with the stew pot)

### Milk [60°C /10 minutes]

This function is used in conjunction with the stew pot to warm the milk for drinking. If selected, the water in the Health-care Beverage Maker is heated and kept to 60°C. 10 minutes later, the kettle will give a "beep" tone, which means that the work is finished and enters standby mode.

### Herbal [120 minutes]

This function is used in conjunction with the stew pot to stew dendrobium, lucid ganoderma and other herbal diet. If selected, the Health-care Beverage Maker is heated quickly to boiling and works in accordance with this pattern for 2 hours. Then, the kettle will give a "beep" tone, which means that the work is finished and it will be automatically kept to 70°C for 2 hours. 2 hours later, the Health-care Beverage Maker stops completely and enters standby mode.

### Congee [60 minutes]

This function is used in conjunction with the stew pot to stew millet congee, vegetable congee and other congee. If selected, the Health-care Beverage Maker is heated quickly to boil and works in accordance with this pattern for 1 hour. Then, the kettle will give a "beep" tone, which means that the work is finished and it will be automatically kept to 70°C for 2 hours. 2 hours later, the Health-care beverage maker stops completely and enters standby mode.

### Bird's Nest [30 minutes]

This function is specially used in conjunction with the stew pot to stew Bird's Nest. If selected, the Health-care Beverage Maker is heated quickly to boil and works in accordance with this pattern for 30 minutes. Then, the kettle will give a "beep" tone, which means that the work is finished and automatically stops, and enters standby mode (it has no automatic keep warm for this pattern to avoid Bird's Nest from melting into water).

### Yoghurt [40°C /12 hours]

This function is used in conjunction with the stew pot to make yoghurt. If selected, the water in the Health-care Beverage Maker is heated and kept to 40°C for 12 hours in accordance with this pattern. Then the kettle will give a "beep" tone, which means that the work is finished and automatically stops, and enters standby mode.

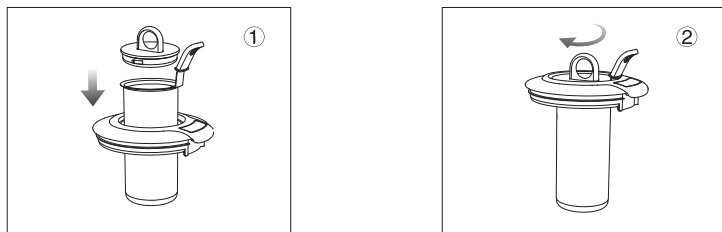
# Product Introduction

## Introduction of the filtering tea basket

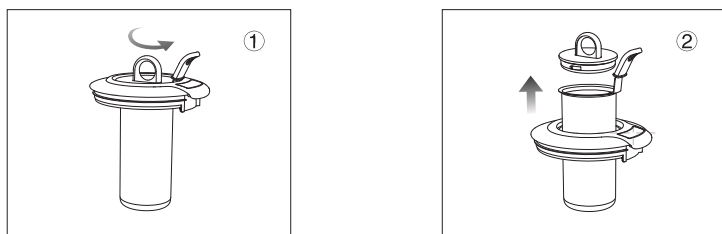
### The design of 'lid in lid'

A unique design of "lid in lid" with two nested lids is adopted for the Health-care Beverage Maker according to the user's daily using preference. The user can observe the cooking at any time through unscrewing the cover during normal running of the tea basket, so as to choose to feed in ingredients or add flavoring and perform other operations. If a lot of foam is produced during functioning, it is recommended that the tea basket be opened to prevent spillage.

1. Installation of the filtering tea basket: ① Grab the handle of the tea basket and put it into the hollow part of the pot cover; ② Tighten the tea basket cover clockwise, and it had tightened when a slight sound of "tick" is heard.



2. Disassembly of the filtering tea basket: ① Unscrew the tea basket cover counter clockwise; ② Grab the tea basket handle and bring it out.



# Product Introduction

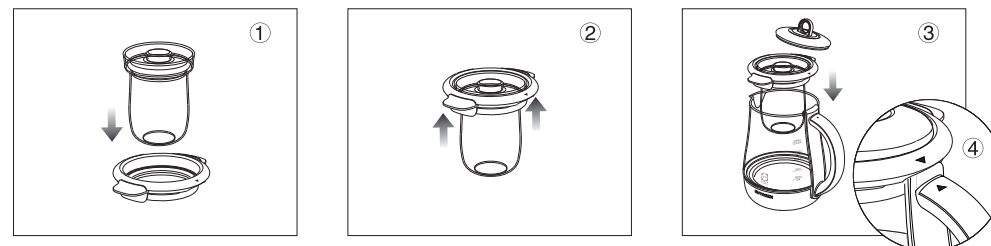
## Introduction of the glass stew pot

### Design of the stew pot

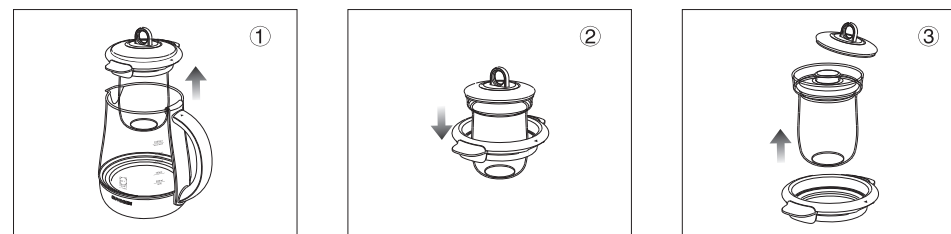
In addition, a unique design of scaffolding stew pot is added to the Health-care Beverage Maker to meet the more comprehensive daily using requirements of users. Users can stew foods separately with water and directly observe the cooking state through the glass.

**⚠ Note:** Please do not pour water when using the stew pot bracket to avoid the scald caused by the fall of stew pot and holder.

1. Installation of the glass stew pot: ① Place the stew in the bracket; ② Lift the bracket together with the stew pot; ③ Install on the Health-care beverage maker and cover the outer lid of the bracket; ④ The installation has been completed when the triangle mark on the bracket is aligned with the one on the handle of the glass body.



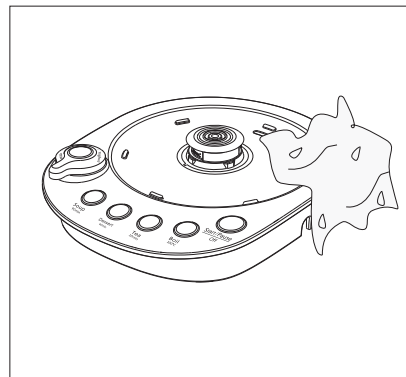
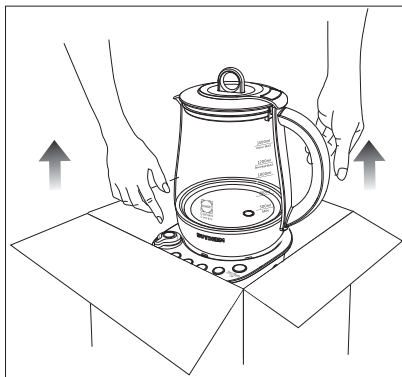
2. Disassemble of the glass stew pot: ① Lift the bracket and bring it out with the stew pot; ② Lay down the bracket gently; ③ Take the outer lid off the bracket and remove the stew pot.



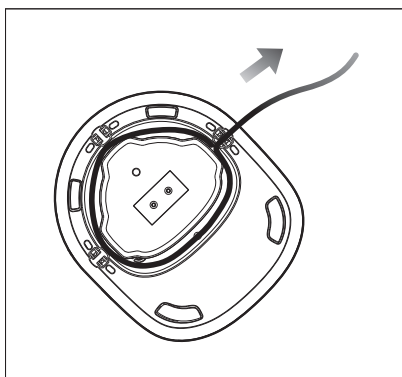
# Usage of product

## Initial use

1. Remove all the packaging, labels and accessories inside and outside the Health-care Beverage Maker. It is recommended to do a boiling point test (see P17) before the initial use of the product.
2. Boiled water for the first 2 to 3 times should be drained for cleaning, and then wipe the external parts with a wet cloth.



## Quick installation



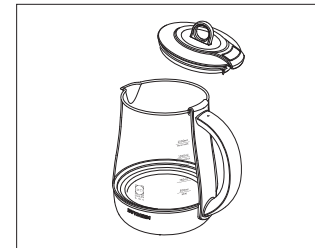
1. Adjust the length of the power cord through the winding device of the base.



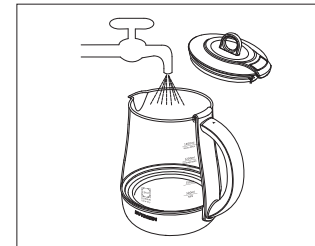
2. Put the kettle on the base.

# Usage of product

## How to Use



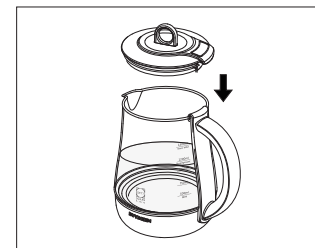
- I. Open the kettle lid  
- Grasp the handle of the kettle lid and pull it up to open the cover.



- II. Add proper amount of pure water  
- Don't add water when the pot is on the base.



- III. Add the ingredients  
- Never add water and ingredients over the maximum or below the minimum water level.  
- It may splash water if overfilling when boiling.  
- Please be noted that it is recommended to add water to 1200ml for tremella, astragalus, black tea and other easily foamed ingredients, and open the lid when working.



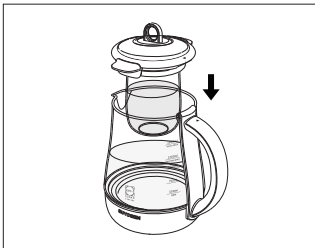
- IV. Close the lid  
- Place the lid on the kettle as shown. Press lightly to close the lid and gently lift it with your hands. If it cannot be lifted up, it means the lid is tight.  
- If the lid assembly is not in place, it will fall easily when pouring water.

# Usage of product

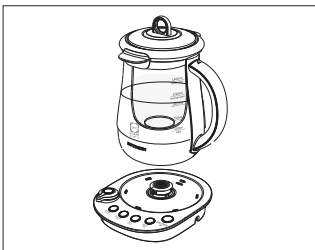
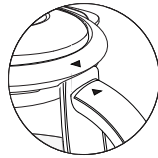
## How to Use



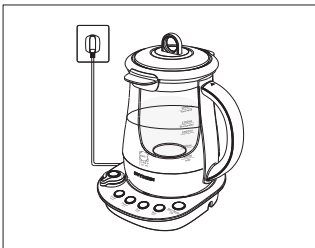
- V. If the glass stew pot is needed  
-Put the ingredients into the stew pot and add some water.  
Make an installation as shown on the page 8.



- VI. Installation of the kettle lid  
-Lift the bracket together with the stew pot and install it on the kettle.  
-For your attention! Please make sure the triangle mark on the bracket aligns with the one on the handle of the glass body, otherwise, it is not installed properly.



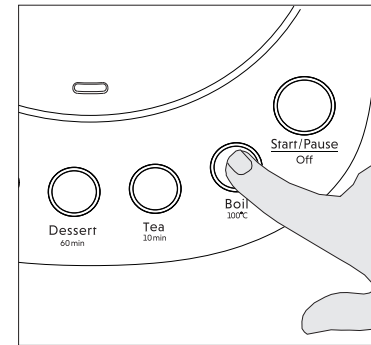
- VII. Put the kettle on the base  
-Please dry the water at the bottom of the pot and on the base.  
-The base must be placed on a flat, clean, heat-resistant table.  
-Exclusive base must be used with the body of the Health-care beverage maker.  
-Do not use if there is no water in the kettle.



- VIII. Plug in the power  
-When the kettle is energized, the buzzer makes a noise, the button light flashes and turns off later, indicating that the device is in standby mode, and the function can be started.

# Usage of product

## Boiling

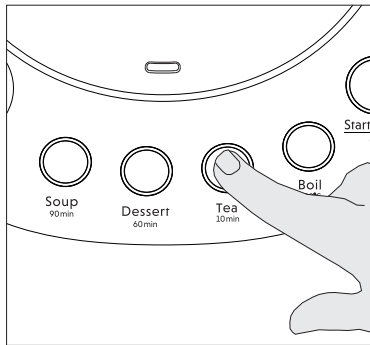


Two ways to enter the mode of boiling water:

1. Press the 'Boil' button, and then the 'Start/Pause' button, the mode of 'Boil' starts.  
Note: After pressing the 'Boil' button, the light turns on and the 'Start/Pause' button flashes, which prompts the need to press it. Then it enters the mode of 'Boiling' with the 'Start/Pause' button light turns on after press.
2. Press the 'Start/Pause' button, then the 'Boil' button to start the mode of 'Boil'.  
Note: Firstly press the 'Start/Pause' button, it turns on and other function button lights turn off after flashing, which prompts to start selection of function. Then it enters the mode of 'Boil' with the 'Boil' button light turns on after press.

## Usage of product

### Tea



Two ways to enter the mode of 'Tea':

1. Press the 'Tea' button, and then the 'Start/Pause' button, the mode of 'Tea' starts.

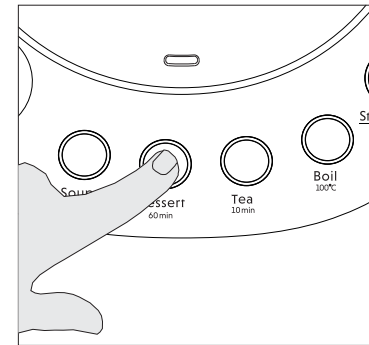
Note: After pressing the 'Tea' button, the light turns on and the 'Start/Pause' button flashes, which prompts the need to press it. Then it enters the mode of 'Tea' with the 'Start/Pause' button light turns on after press.

2. Press the 'Start/Pause' button, then the 'Tea' button to start the mode of 'Tea'.

Note: Firstly press the 'Start/Pause' button, it turns on and other function button lights turn off after flashing, which prompts to start selection of function. Then it enters the mode of 'Tea' with the 'Tea' button light turns on after press.

## Usage of product

### Dessert



Two ways to enter the mode of 'Dessert':

1. Press the 'Dessert' button, and then the 'Start/Pause' button, the mode of 'Dessert' starts.

Note: After pressing the 'Dessert' button, the light turns on and the 'Start/Pause' button flashes, which prompts the need to press it. Then it enters the mode of 'Dessert' with the 'Start/Pause' button light turns on after press.

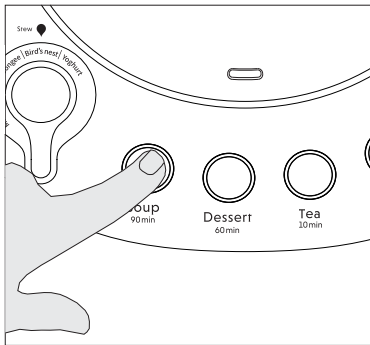
2. Press the 'Start/Pause' button, then the 'Dessert' button to start the mode of 'Dessert'.

Note: Firstly press the 'Start/Pause' button, it turns on and other function button lights turn off after flashing, which prompts to start selection of function. Then it enters the mode of 'Dessert' with the 'Dessert' button light turns on after press.



# Usage of product

## Soup



Two ways to enter the mode of 'Soup':

1. Press the 'Soup' button, and then the 'Start/Pause' button, the mode of 'Soup' starts.

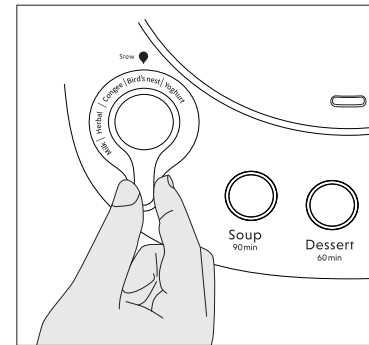
Note: After pressing the 'Soup' button, the light turns on and the 'Start/Pause' button flashes, which prompts the need to press it. Then it enters the mode of nourishing soup with the 'Start/Pause' button light turns on after press.

2. Press the 'Start/Pause' button, then the 'Soup' button to start the mode of 'Soup'.

Note: Firstly press the 'Start/Pause' button, it turns on and other function button lights turn off after flashing, which prompts to start selection of function. Then it enters the mode of 'Soup' with the 'Soup' button light turns on after press.

# Usage of product

## Stew function



Two ways to start 'Stew' mode with the function knob:

Take the "Bird's Nest" function as an example.

1. Turn the knob to the "Bird's Nest", and then press the 'Start/Pause' button, the mode of 'Bird's Nest' starts.

Note: Turn the knob to the 'Bird's Nest', the function knob light turns on and the 'Start/Pause' button flashes. Then it enters the mode of 'Bird's Nest' with the 'Start/Pause' button light turns on after press.

2. Press the 'Start/Pause' button, then turn the knob to the 'Bird's Nest' to start the mode of 'Bird's Nest'.

Note: Firstly press the 'Start/Pause' button, it turns on and other function button lights turn off after flashing. Then it enters the mode of 'Bird's Nest' with the button light turns on after turning the knob to the 'Bird's Nest'.

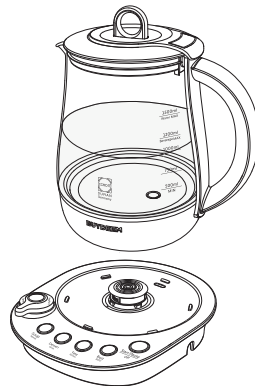
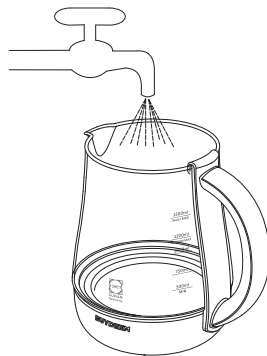
## Special function

### Memory program for Boiling Point Test

- It cannot reach 100°C when boil water in the non-zero elevation area, which will cause failure of work properly(break off too slow or even unable to trip normally) for the ordinary Health-care Beverage Maker.
- In order to ensure a good using experience for the user on the plateau, an industry's advanced boiling point testing technology with the built-in memory chip is adopted by Buydeem Health-care Beverage Maker, which can be used normally in the plateau area by just performing a boiling point test.
- The boiling point test is not limited to the plateau area, but also applicable to the plain or mountainous areas. After the boiling point test, the Health-care Beverage Maker can work more accurately (better performance than the factory setting).It is recommended to carry out a boiling point test for the initial use. Upon completion of the test, the chip will record accurate boiling point data and there is no need for a repeated test when reuse.

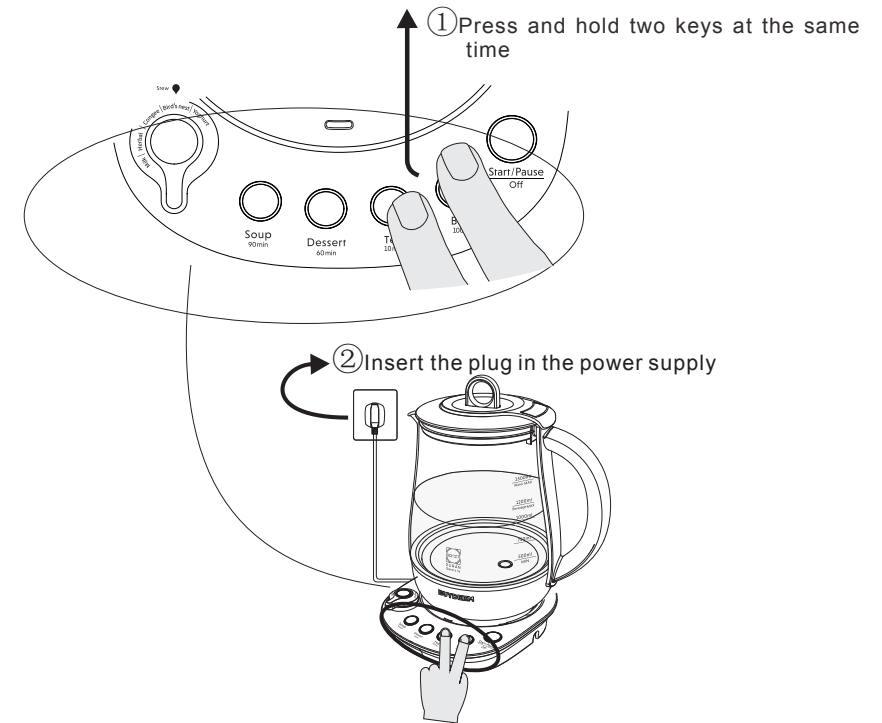
### Start of the Boiling Point Test

1. Add 1200ml water and it will affect the test result if there is not enough water or too much water.
2. Put on the power base with it unplugged.

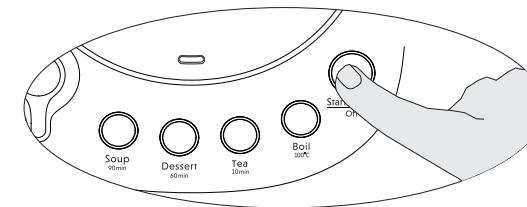


## Special function

3. Press on the buttons of 'Boil' and 'Tea' at the same time, and plug in the power cord. And you can release the button after a short beep.



4. The light ring of 'Start/Pause' button blinks at this point, and all button indicators blink in turns after pressing the "Start/Pause" button. The machine enters the working status to test the boiling point and finishes automatically after three beeps, then the Health-care Beverage Maker can be used.



## Special function

### Program memory function

When the Health-care Beverage Maker is functioning, it can be paused by lifting the kettle body or press the 'Start/Pause' button, the program can be resumed if the kettle is put back on the power base or by pressing the 'Start/Pause' button within 1 hour and it will not start from the beginning again.

### Avoid false operation

- The function mode can be arbitrarily switched within one minute after the selected function starts to work.
- The function cannot be arbitrarily switched after one minute's work of the Health-care Beverage Maker to avoid unintentional operations. Press the 'Start/Pause' button if you need to switch function and the button will start flashing, then select the needed program.

### Cold water protection

-If the cold water is added to the kettle while the Health-care Beverage Maker is working, besides the 'Milk' and 'Yoghurt' function, the Health-care beverage maker will automatically re-boil the water and then implement the program that has not been completed.

## Cleaning and maintenance

### Cleaning and maintenance

#### Cleaning of the Health-care Beverage Maker

1. Unplug the power cord.
2. Use a wet sponge to clean the internal part after the Health-care Beverage Maker is completely cooled.  
Caution: do not immerse the kettle, the base, the power cord or the plug in the water (the electronic connector on the bottom of the kettle and the power base should be kept away from water).
3. Please clean in time after every use to avoid food deterioration.

#### Descaling

A regular scaling is needed for the Health-care Beverage Maker(at least once a month), and the times should be increased if the water quality is not good.

It belongs to the normal phenomenon for a spot appears on the heating plate, which is the scale and can be cleaned by using a clean cloth to scrub gently. The following ways can be used for descaling in case of worse situations.

#### Tips for descaling of the Health-care Beverage Maker

Use white vinegar:

- Add appropriate amount of white vinegar into the Health-care Beverage Maker.
- Leave it for 1 hour without heating.
- Empty the kettle and wash it for 5-6 times with clean water. Repeat if necessary.

Use citric acid:

- Add appropriate amount of water and boil.
- Add 25g citric acid and leave it for 15 minutes.
- Empty the kettle and wash it for 5-6 times with clean water. Repeat if necessary.

# Troubleshooting

## Troubleshooting

### When being placed on the base, the kettle works with no sound and the LED makes no action.

- Check whether the kettle is fully connected to the base.
- Check whether the base is fully connected to the power supply.

### The kettle keeps beeping and the button light is not on.

- Probably because the Health-care Beverage Maker starts without water or due to scale accumulation, which triggers dry burning safety system. The cold water can be poured into the Health-care Beverage Maker after the kettle is cooled for a few minutes.

### Peculiar smell in water

- It usually occurs for the new Health-care Beverage Maker unused, boiled water of the first several times should be drained. If the situation continues, fill the water to the highest water level and add two teaspoons of soda, boil, drain, and then clean the kettle.

# Warranty and service

## Warranty and service instructions

Buydeem warrants, subject to the conditions stated below, that from the date of purchase, this product will be free from mechanical defects for a period of ONE (1) year. Buydeem, at its option, will repair or replace this product found to be defective during the warranty period. Should this product become defective by reason of improper workmanship or material defect during the specified warranty period, Buydeem will repair or replace the same effecting all necessary parts replacements for a period of one year from the date of purchase. If product is no longer available we will replace it with a product of equal value. Transportation charges on parts, or products in whole, submitted for repair or replacement, under this warranty, must be borne by the purchaser. This warranty is void if the product is used for other than single-family household use or subjected to any voltage and waveform other than as specified on the rating label (e.g., 120V ~ 60 Hz). This warranty is available to consumers only.

**CONDITIONS:** This warranty is valid for the original USA and Canada retail purchaser from the date of initial retail purchase and is not transferable. warranty service would NOT apply if the product damage occurred because of misuse, lack of routine maintenance, shipping, handling, 3rd party warehousing or improper installation.

**HOW TO OBTAIN WARRANTY SERVICE:** If your BUYDEEM Health-care Beverag Maker should prove to be defective within the warranty period, we will repair it, or if we think necessary, replace it. To obtain warranty service, simply email [support-US@buydeem.com](mailto:support-US@buydeem.com) for additional information from our Customer Service Representatives.