

210mm

LIVEN 利仁

仁者安仁 知者利仁
—— E.F.G.B.® · 2013



涮烤一体机
SK-J6868说明书

图片仅供参考

☆ 非常感谢您购买本公司系列产品
☆ 使用产品前请详细阅读本使用说明书
☆ 请妥善保管以备将来参考使用

扫一扫(关注公众号,北美厨房有约)
发送关键词:利仁涮烤机
能够获取
产品使用视频
产品介绍视频


北京利仁科技股份有限公司
BEIJING LIVEN TECHNOLOGY CO.,LTD
Imported by: Pandabrands Inc
Customer service: service@pandabrands.com

使用产品前请仔细阅读本使用说明书,并妥善保管
本说明书数据均由质检人员手工实际测量所得,可能存在误差,请见谅

285mm

LIVEN 利仁

仁者安仁 知者利仁
—— E.F.G.B.® · 2013



Electric Grill with Hot Pot
SK-J6868

Pictures are for reference only

☆ Please read the manual carefully before use
☆ Please keep the manual for future reference

210mm

LIVEN 利仁

仁者安仁 知者利仁
—— E.F.G.B.® · 2013

DISCLAIMER

1. DO NOT use another high voltage appliance on the same circuit.
2. Make sure local voltage conforms with the product before plug in.

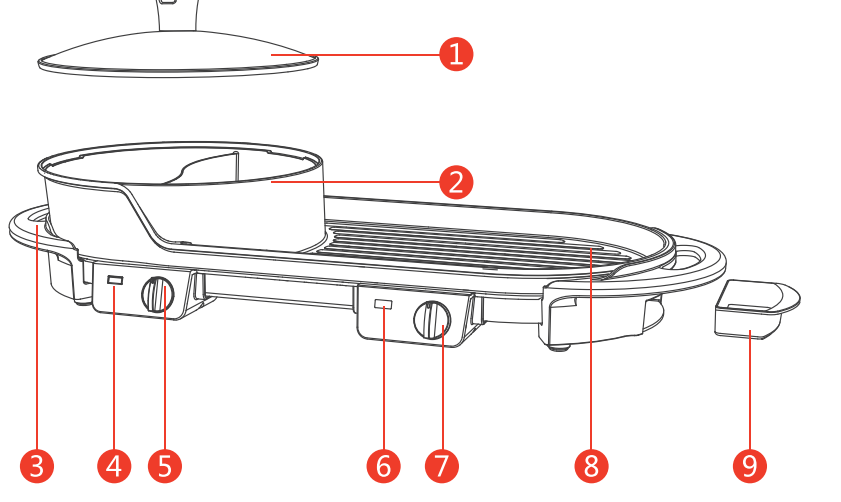
NOTES

1. DO NOT use the product to cook frozen food, cook with defrosted food only.
2. It is normal that smoke may be observed in the beginning of operation, it will be resolved with continue operation.

WARRANTY POLICY

Consumers who purchase Liven electric hot pot can enjoy one-year free warranty service. Customers can repair for free with consumption certificates. For products more than one year old, the cost of parts and maintenance-related freight will be charged additionally, and no other charges will be charged. Details Please consult the customer service department, please send an email to service@pandabrands.com, we are always at your service.

主要组件:

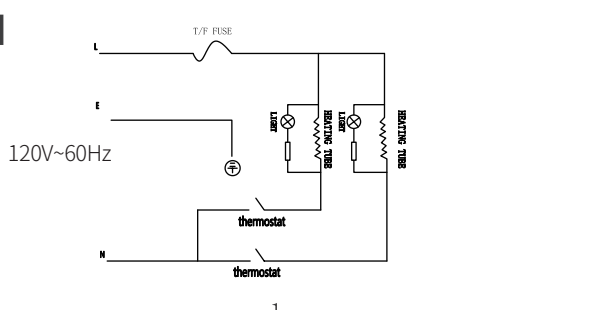


1.玻璃盖 2.锅体 3.防烫手柄 4.火锅指示灯 5.火锅旋钮
6.烤盘指示灯 7.烤盘旋钮 8.烤盘 9.接油盒

产品参数:

产品名称	产品型号	总功率	电烤盘功率
涮烤一体机	SK-J6868	2000W	1000W
额定电压	额定频率	电火锅容量	电火锅功率
120V~	60Hz	3.6L	1000W

电气原理图



4

285mm

LIVEN 利仁

仁者安仁 知者利仁
—— E.F.G.B.® · 2013

使用说明:

- 首次使用此产品之前,请按“清洁及保养”章节中的说明进行清洁。
- 将产品放置于平整及安全的地方使用。
- 确认产品电压与当地电源相符合,然后将插头插入独立的电源插座,注意不能与其他大功率电器共用插座。
- 火锅与电烤功能可独立操控,你可以根据需要单独使用或一起使用。
- 当使用电烤盘时,将电烤盘旋钮顺时针方向旋转打开,电烤盘指示灯亮起,最低档为1档,最高档为5档,当指示灯熄灭时,预热完成,此时可以烘烤食物了。
- 当使用电火锅时,先往火锅内加入适量的水或汤底(不得超过火锅容量的2/3,以免沸腾溢出),再将电火锅旋钮顺时针方向旋转打开调至最高档位,火锅指示灯亮起,当水开时就可以打火锅了。
- 锅体及煎盘表面温度较高,请不要用手触摸,以免烫伤!
- 翻动食物请勿使用金属硬质铲铲,以免刮伤表面不粘涂层,建议使用竹、木或硅胶材质铲铲。
- 使用完后关闭旋钮开关,按下电源线插头,待机器冷却后再进行清洁维护。

清洁及保养

- 清洗前,请先拔掉电源插头,等待产品完全冷却。
- 锅体及电烤盘表面用湿软布清洗即可,也可放少许清洗液,产品不能整机放入水中浸泡清洗。
- 接油盒取出后,可用清洗液放入水中清洗。
- 不要用任何研磨垫或钢丝球来清洁内部或外部,这样会损坏涂层。
- 不要将电器产品浸入水中或任何其他液体中清洗。
- 清洗完成后放在通风地方晾干,确保下次使用产品表面干燥。

安全注意事项:

- 警告—减少火灾、触电或严重人身伤害的危险:
- 本器具不供包括生理、感官或心理能力下降或缺乏经验和知识的人(包括儿童)使用,除非有对其安全负责的人进行监督或指示。
- 在平坦、稳定、耐热的表面上使用该产品。
- 当设备使用时,可触及表面的温度可能非常高,确保不要触摸电器的这些热点部件,防止烫伤。
- 在通风良好的区域使用该产品,在产品的四周保持至少1米至1.2米的空闲以保持

SAFETY CAUTIONS

Warning: In order to reduce the risk of fire, electric shock and injuries.

- Children/Minors should not use the unit unless it is under adult's supervision.
- Only use the product on a flat, stable and heat proof surface.
- DO NOT touch the unit as it is extremely HOT during use.
- Use the product in a well ventilated area. Allow at least 3-4 feet distance from the product to ensure air flow.
- DO NOT use the product on, inside or beside heat source, propane or flammable objects.
- Avoid using the product near curtain, wallpaper, clothing, towels and any flammable materials.
- DO NOT touch the product until it is completely cool. DO NOT move the product after plugged in.
- DO NOT attempt to disassemble the product or replace with third party parts.
- DO NOT use the product near water source.
- DO NOT immerse the product in water or any liquid
- Never leave plugged unit unsupervised / inattentively.
- DO NOT force plug into / from socket, or it will tear or break the plug.
- DO NOT connect power plug with wet hand.
- Keep product and power cord away from heating surface.
- Request help from professional when power cord is damaged.
- DO NOT operate the product with timer or remote control devices.
- The product is intended to use in a home environment only.

2

210mm

LIVEN 利仁

仁者安仁 知者利仁
—— E.F.G.B.® · 2013

INSTRUCTIONS

- Clean the product before use. Refer to "Cleaning and Maintenance" section below for cleaning instruction.
- Use the product on a stable footed surface only.
- Power indicator is "ON" indicates the unit is working after plugged in.
- Temperature of hotpot and grill can be adjusted individually from 1(lowest) to 5 (highest).
- Preheat the grill at the highest setting for 5 minutes before grilling. Grill is ready when indicator light is off.
- Water must be filled in hotpot before use. Please note that a maximum of 2/3 of the hotpot capacity may be filled to avoid spillage. Preheat hotpot with water at the highest setting for approximate 12 minutes or until water is boiling.
- Do not touch hotpot and grill when it is still hot.
- Unplug the unit to shut it off.
- Clean and store the product after it has cooled down completely.

CLEANING AND MAINTENANCE

- Make sure the unit is unplugged & cool down before cleaning.
- Do no immerse the unit in water. Spot clean with detergent and water with a clean soft cloth only.
- Oil reservoir can be removed for hand washing.
- Do not use abrasive material or wire cleaner to clean the unit. Doing so will damage coating of the unit.
- Do not soak or immerse the product in water or in any liquid.
- Air dry the product after cleaning.

2

证足够的空气流通。

- 不要将产品放在燃气或电热器附近,或放在加热炉或其他热源的内部或顶部。
- 不要让产品接触窗帘、壁纸、服装、毛巾、或其它易燃材料在使用过程中。
- 不要接触产品的热表面,产品插入电源时请勿移动,在清洁前让产品彻底冷却。
- 不要自行更换本产品的零配件或其它制造商销售的附件。
- 不要在水或其他液体附近使用本产品。
- 不要将产品放置或放入水中或其他液体中。
- 在使用过程中,不要让产品无人看管,该设备不具备外部系统控制。
- 不要在电源线连接到电源线时施加任何压力,因为电源线可能会磨损和断开。
- 不要用手把插头插入电源插座。
- 保持产品和电源线远离受热表面。
- 若电源线损坏,为了避免危险必须由专业人员来更换。
- 器具不能在外接定时器或独立的遥控控制系统的方式下运行。
- 本产品适用于家庭使用,请勿在户外或其他用途使用本产品。

特别说明:

- 避免电路过载时使用该产品,不要操作另一个高功率的产品在同一电路。
- 将本产品连接电源之前,请确保本产品电压与当地的供电电压相符。

注意:

- 不要使用此产品烹调和解冻食品,所有食品必须完全解冻后再使用该产品。
- 本产品在使用初期可能会产生一些烟雾,这是正常的,会随着进一步的使用而消退。

售后服务:

凡购买利仁电火锅的消费者,均可享受一年的免费保修服务,客户凭消费凭证,可免费维修。一年以上的产品需额外收取零件的成本费、维修相关运费,不额外收取其他费用详情请咨询客户服务部门,请发邮件至:service@pandabrands.com我们随时为您服务。

产品说明书若有更改 恕不另行通知

3

285mm

LIVEN 利仁

仁者安仁 知者利仁
—— E.F.G.B.® · 2013

食品接触用材料

本产品与食物接触材料均符合GB4806.1-2016的要求

部件名称	材料	备注	执行标准
火锅锅体	聚四氟乙烯涂层 / 铸铝铝合金 / 不锈钢	涂层使用温度不得超过250°C	GB 4806.9-2016 GB 4806.10-2016 GB 9685-2016
玻璃盖	浮法玻璃	使用温度不得超过220°C	GB 4806.5-2016 GB 9685-2016

环保清单

部件名称	有害物质					
	铅 (Pb)	汞 (Hg)	镉 (Cd)	六价铬 (Cr(VI))	多溴联苯 (PBB)	多溴二苯醚 (PBDE)
塑料部件	○	○	○	○	○	○
受热部件	○	○	○	○	○	○
小五金零件	○	○	○	○	○	○
玻璃部件	○	○	○	○	○	○
电器及布线部件	×	○	×	○	○	○
挂牌、塑料铭	○	○	○	○	○	○
包装印刷部件	○	○	○	○	○	○
纸盒及泡沫包装	○	○	○	○	○	○

本表格依据SJ/T 11364的规定编制。

○: 表示该有害物质在该部件所有均质材料中的含量均在GB/T 26572规定的限量要求以下。
×: 表示该有害物质至少在该部件的某一均质材料中的含量超出GB/T 26572规定的限量要求

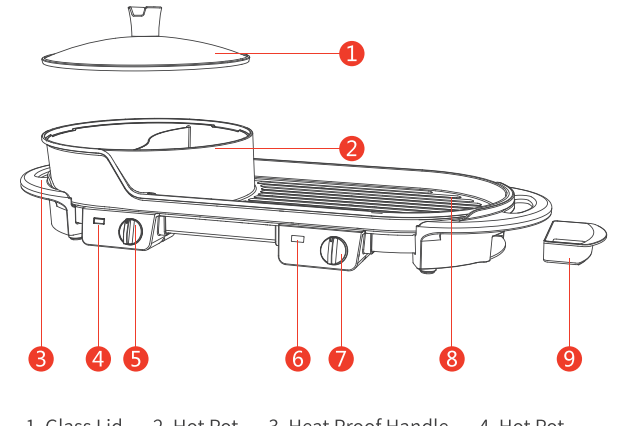
说明:

- 上表中的部件涵盖我公司部分产品,不同型号涉及的部件不完全相同,具体请以实物为准;
- 本表中部件定义的解释权归北京利仁科技股份有限公司。

4

PRODUCT DIAGRAM

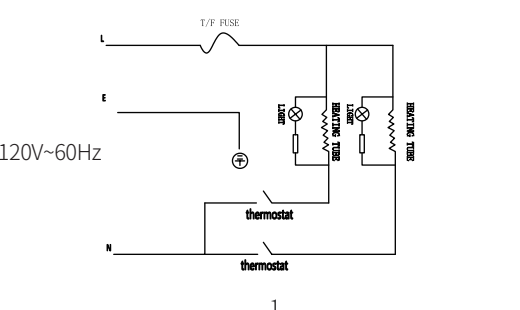
may be vary slightly from what is illustrated.



TECHNICAL SPECIFICATIONS

PRODUCT NAME	SKU	TOTAL POWER	GRILL POWER
ELECTRIC GRILL WITH HOT POT	SK-J6868	2000W	1000W
RATED VOLTAGE	FREQUENCY	POT CAPACITY	HOT POT POWER
120V ~	60Hz	3.6L	1000W

ELECTRICAL SCHEMATIC DIAGRAM



210mm

LIVEN 利仁

仁者安仁 知者利仁
—— E.F.G.B.® · 2013

北京利仁科技股份有限公司
BEIJING LIVEN TECHNOLOGY CO.,LTD
经销商: Pandabrands Inc
合作: business@pandabrands.com
售后服务: service@pandabrands.com

2020-4-13
4张装订本

285mm

LIVEN 利仁

仁者安仁 知者利仁
—— E.F.G.B.® · 2013

Materials used for food contact

This product and food contact materials comply with the national standard GB4806.1-2016

For food contact			
Part Name	Material Quality	Notes	Executive standards
Hot pot body	PTFE coating / cast aluminum alloy ingot/silica	The temperature of coating application shall not exceed 250 °C	GB 4806.9-2016 GB 4806.10-2016 GB 9685-2016
Glass cover	Float glass	The operating temperature should not exceed 220 °C	GB 4806.5-2016 GB 9685-2016

Environmental checklist

Part	Hazardous substances					
	(Pb)	(Hg)	(Cd)	(Cr(VI))	(PBB)	(PBDE)
Plastic part	○	○	○	○	○	○
Heated parts	○	○	○	○	○	○
Hardware components	×	○	×	○	○	○
Glass components	○	○	○	○	○	○
Electrical and wiring components	×	○	×	○	○	○
Nameplate, plastic bag	○	○	○	○	○	○
Packaging printing components	○	○	○	○	○	○
Carton and foam packaging	○	○	○	○	○	○

This table is prepared in accordance with the provisions of SJ/T 11364

○: Indicates that the content of the harmful substance in all materials of the component is below the limit requirements specified in GB/T 26572
×: Indicates that the content of the hazardous substance in at least one of the uniform materials of the component exceeds the limit requirements specified in GB/T 26572

10

The environmental protection service life of the digital identification product in this logo under normal use is 10 years

Explanation:

- The parts in the above table cover some of our company's products, and the components involved in different models are not completely the same. Please refer to the actual product for details.
- The right to interpret the definitions of components in this table belongs to Beijing Liven Technology Co., Ltd.

Electric Grill with Hot Pot
SK-J6868

Pictures are for reference only

* Please read the manual carefully before use
* Please keep the manual for future reference