

FOTILE

A BREATH OF FRESH ENGINEERING®



U.S.
DESIGN
PATENT

SLANT VENT SERIES RANGE HOODS



Sold in over **30** countries around the world,
and chosen by **30 million** families



Entered the U.S. market in **2016**,
focusing on healthy kitchen solutions



2,500 service technicians in the U.S.



Earned **10K+** kitchen appliance patents
Global Smart Home Invention Patent **TOP100**



Member of HVI, the most
authoritative and credible
institution in North America



Powerful Smoke Extraction

Close proximity to cooking area, wide
smoke inlet with 6-7.2 sq.ft. coverage area



Efficient DC Motors*

Provide extraordinary power and
smooth ventilation



Dual Centrifugal Blowers

Extract smoke quickly and prevent it
from escaping



Motion Activation*

Convenient hand wave ON/OFF operation



Easy and Fast Installations

Wall-mount or under-cabinet



98% Odor Reduction Rate

95% Grease Separation Rate

* Prestige Series Only

INDUSTRY LEADING WARRANTY:

PARTS

5-YEAR (LIMITED)

LABOR

2-YEAR

MOTOR

LIFETIME GUARANTEE
(LABOR NOT INCLUDED)

Toll Free: 888-315-0366

Address: 6 Campus Dr, Suite 210,
Parsippany, NJ 07054

Official Website: us.fotileglobal.com

Email: serviceusa@fotile.com



YouTube



@fotileamerica



@fotile_america



	Prestige Series			Classic Series		Core Series
Width	30in		36in	30in	36in	30in
Model Options	JQG7507-Y	JQG7505 / JQG7505-W	JQG9006 / JQG9006-W	JQG7501	JQG9001	JQG7502
Color Options	● MOONSHADOW	● Onyx Black / ● Elegant White		● Onyx Black		● Onyx Black
Max. EQUIV. CFM	1100	1000		850		850
Operation	Motion + Touch Screen + Sync Connect*	Motion + Touch Screen		Touch Screen		Push Buttons
Delay Shutoff	5min.	2min.		2min.		/
Panel Material	AG Glass	Tempered Glass		Tempered Glass		Tempered Glass
Motor	Dual DC Motors			Dual AC Motors		Dual AC Motors
Max. Static Pressure	540Pa			400Pa		400Pa
Number of Speed Settings	3 + Stir-Fry Mode			3		3
Capture Shield	Automatically Opens to 90°			Automatically Opens to 90°		Fixed Open at 90°
Easy to Clean	Oversized Oil Cup; Dishwasher Safe Oil Filter			Oversized Oil Cup; Dishwasher Safe Oil Filter		Oversized Oil Cup; Dishwasher Safe Oil Filter
Min. Noise Level	38dB			39dB		39dB

*This feature is available with any FOTILE Cooktop that features Sync Connect.

5-year limited warranty

2-year full warranty, 5-year limited warranty on all parts.
Lifetime warranty on motor.



JQG7501



JQG7502

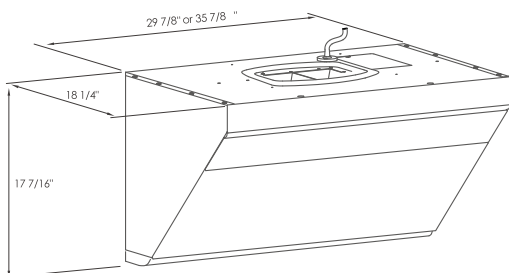


JQG7505-W

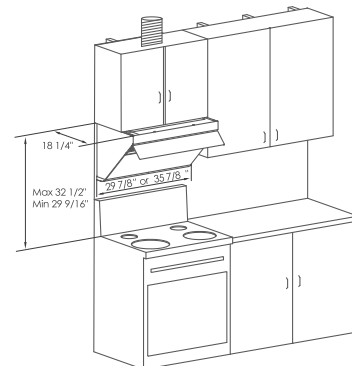


JQG7507-Y

Unit: in



▲ Product Dimensions



▲ Installation Dimensions

* Product Width: 29 7/8 inch = JQG7505/JQG7505-W/JQG7507-Y/JQG7501/JQG7501.G/JQG7502/JQG7502.G
Product Width: 35 7/8 inch = JQG9001/JQG9006/JQG9006-W