


# FOTILE


A BREATH OF FRESH ENGINEERING®




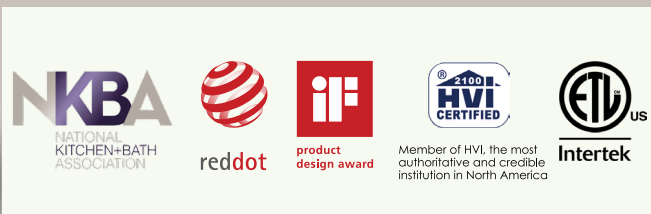
## SLANT VENT SERIES RANGE HOODS

 Sold in over **30** countries around the world, and chosen by **30 million** families

 Serving the U.S. market for **9** years

 **3,500** service technicians in the U.S.

 Earned **8,200** kitchen appliance patents including over **2,100** invention patents



### Powerful Smoke Extraction

Close proximity to cooking area, wide smoke inlet with 6 sq.ft. coverage area\*\*



### Efficient DC Motors \*

Provide extraordinary power and smooth ventilation



### Dual Centrifugal Blowers

Extract smoke quickly and prevent it from escaping



### Motion Activation \*

Convenient hand wave ON/OFF operation



### Easy and Fast Installations

Wall-mount or under-cabinet



**98%** Odor Reduction Rate

**95%** Grease Separation Rate

\* Prestige Series Only \*\* Coverage area up to 7.2sq.ft in 36in models

### INDUSTRY LEADING WARRANTY:

PARTS	5-YEAR (LIMITED)
LABOR	2-YEAR
MOTOR	LIFETIME GUARANTEE (LABOR NOT INCLUDED)

Toll Free: 888-315-0366  
Address: 6 Campus Dr, Suite 210,  
Parsippany, NJ 07054  
Official Website: [us.fotileglobal.com](http://us.fotileglobal.com)  
Email: [serviceusa@fotile.com](mailto:serviceusa@fotile.com)



YouTube



@fotileamerica



@fotile\_usa



	Prestige Series		Classic Series		Core Series
Width	30in	36in	30in	36in	30in
Model Options	JQG7505 / JQG7505-W	JQG9006 / JQG9006-W	JQG7501 / JQG7501.G	JQG9001	JQG7502 / JQG7502.G
Motor	Dual DC Motors		Dual AC Motors		Dual AC Motors
Max. EQUIV. CFM	1000		850		850
Max. Static Pressure	540Pa		400Pa		400Pa
Operation	Motion + Touch Screen		Touch Screen		Push Buttons
Number of Speed Settings	3 + Stir-Fry Mode		3		3
Capture Shield	Automatically Opens to 90°		Automatically Opens to 90°		Fixed Open at 90°
Delay Shutoff	2 min.		2 min.		/
Easy to Clean	Tempered Glass; Dishwasher Safe Oil Filter		Tempered Glass; Dishwasher Safe Oil Filter		Tempered Glass; Dishwasher Safe Oil Filter
Min. Noise Level	38dB		39dB		39dB
Color Options	Onyx Black / Elegant White		Onyx Black / Silver Grey		Onyx Black / Silver Grey

## 5-year limited warranty

2-year full warranty. 5-year limited warranty on all parts. Lifetime warranty on motor.

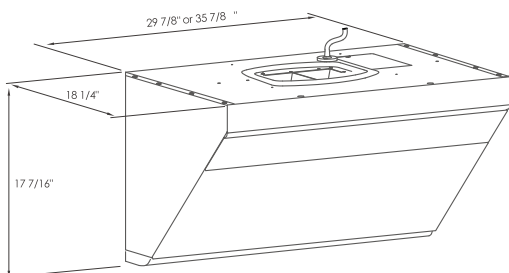


JQG7505-W

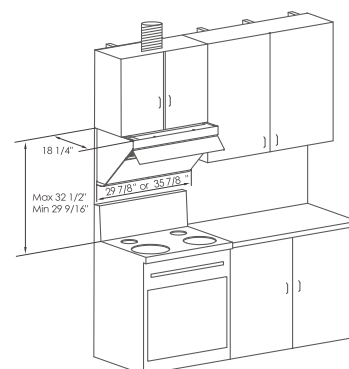


JQG7501

Unit: in



▲ Product Dimensions



▲ Installation Dimensions

\* Product Width: 29 7/8 inch = JQG7505/JQG7505-W/JQG7501/JQG7501.G/JQG7502/JQG7502.G  
 Product Width: 35 7/8 inch = JQG9001/JQG9006/JQG9006-W