

30in Slant Vent Series Installation Template

1. 为保证油烟机使用安全和最佳吸油烟效果，建议安装高度：从台面到油烟机顶部不得低于29 9/16"(750 mm)，最高不要超过32 1/2"(825 mm)。如所属州或地区有相关法律规定油烟机安装高度，建议遵守相关法律，但产品的吸油烟效果可能会受到较大影响。
2. 钻孔时，请注意不要损坏电线、水管、燃气管道以及其他隐藏的设备。
3. 安装油烟机的墙壁要有足够的支撑强度，对于中空墙壁，中空板实心层的厚度必须大于1 3/16" (30 mm) 以上。
4. 规划出风管时尽量缩短到外墙孔的距离且尽量减少弯道数量。

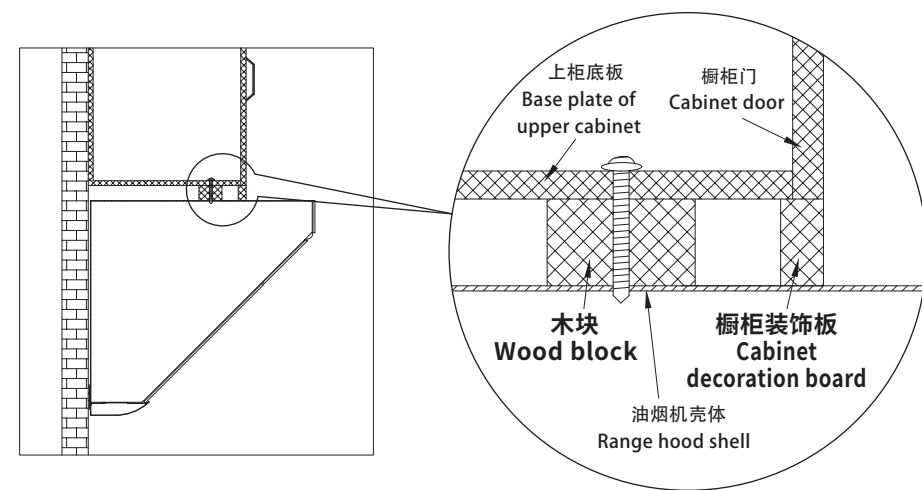
烟管要求：

- 1) 烟管直径6"及以上；
- 2) 建议烟管材质优先选用铁皮管，其次是铝制烟管；
- 3) 烟管长度建议不要超过8英尺，拐弯建议不要超过3个，否则会影响吸烟效果和噪音。

安装好油烟机后，请仅在在有锅具时操作燃气灶。

注意：

如橱柜下边缘装有橱柜装饰板，油烟机安装前，请在 3 颗 #10×2 13/16"(M5×70mm) 螺钉附近依据橱柜装饰板高度加等高的木块，以免螺钉紧固时使油烟机壳体发生变形而导致电动推杆无法打开或无法关闭到位。(见安装图)



安装图 Installation diagram

1. In order to secure the safe use of the range hood and maximize its ability to ventilate cooking fumes, the installation height is suggested as follows: The distance from the countertop of the gas stove to the top board of the range hood shall not be less than 29 9/16"(750 mm) and shall not be more than 32 1/2"(825 mm). Where there are relevant laws stipulating the mounting height of range hood in the state or region, the laws shall prevail. However, the effect of cooking fumes ventilation might be affected.
2. When drilling into the wall or ceiling, be careful not to damage electrical wiring, water pipes, gas lines, or other hidden utilities.
3. The wall should be strong enough to support the range hood. As for hollow wall or hollow plate, the minimum thickness of the lumber should be 13/16" (30 mm).
4. Shorten the length of ducting run to the hole on the outside wall and decrease the turns to the minimum when designing the ducting run.

The requirements of the ducting run are:

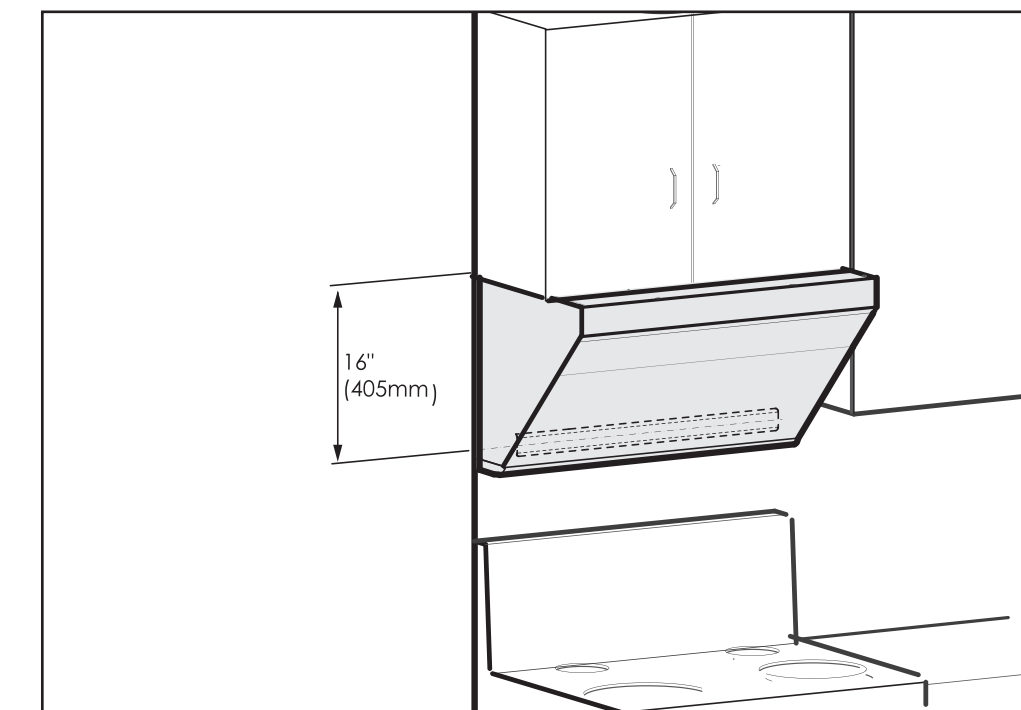
- 1) the diameter of the ducting run is at least 6 inches;
- 2) iron sheet tube is the firstly suggested option for the ducting run and then secondly the aluminum pipe;
- 3) the length of the ducting run is suggested no more than 8 feet and three turns to ensure the best effect of oil suction.

Only operate the gas burners with cookware on them after installing the range hood.

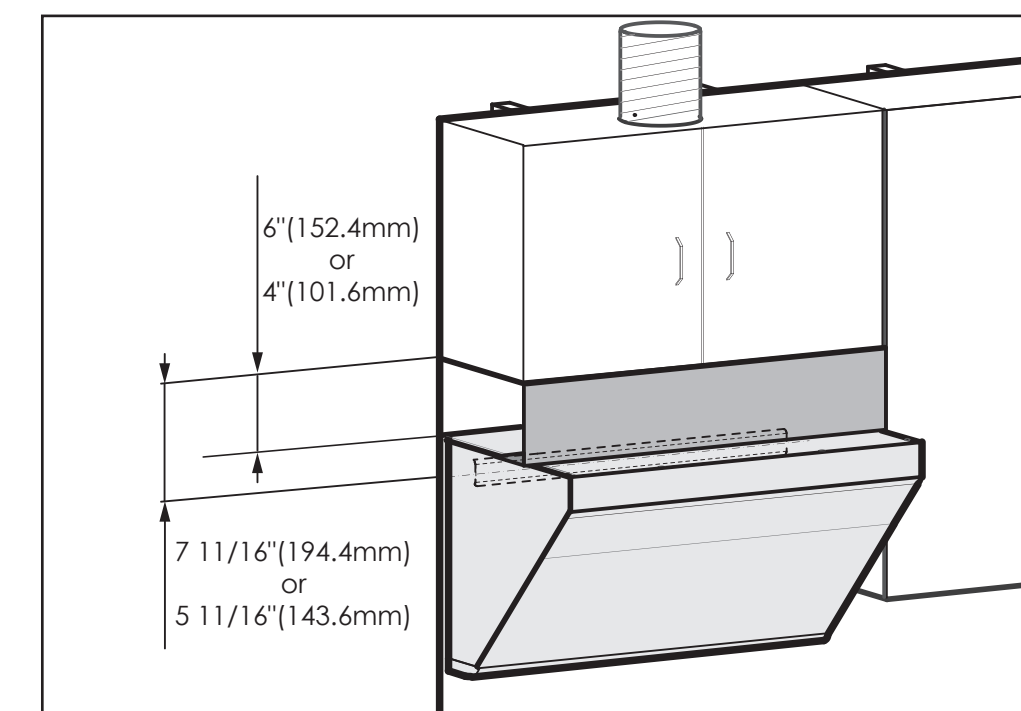
Note:

If a decoration board is installed at the lower edge of the cabinet, a wood block at same height as decoration board near three #10×2 13/16"(M5×70mm) bolts before installation of a range hood, so as to avoid electric jogger's failure to open or close properly caused by deformation of range hood shell during fastening of the bolts. (See the installation diagram)

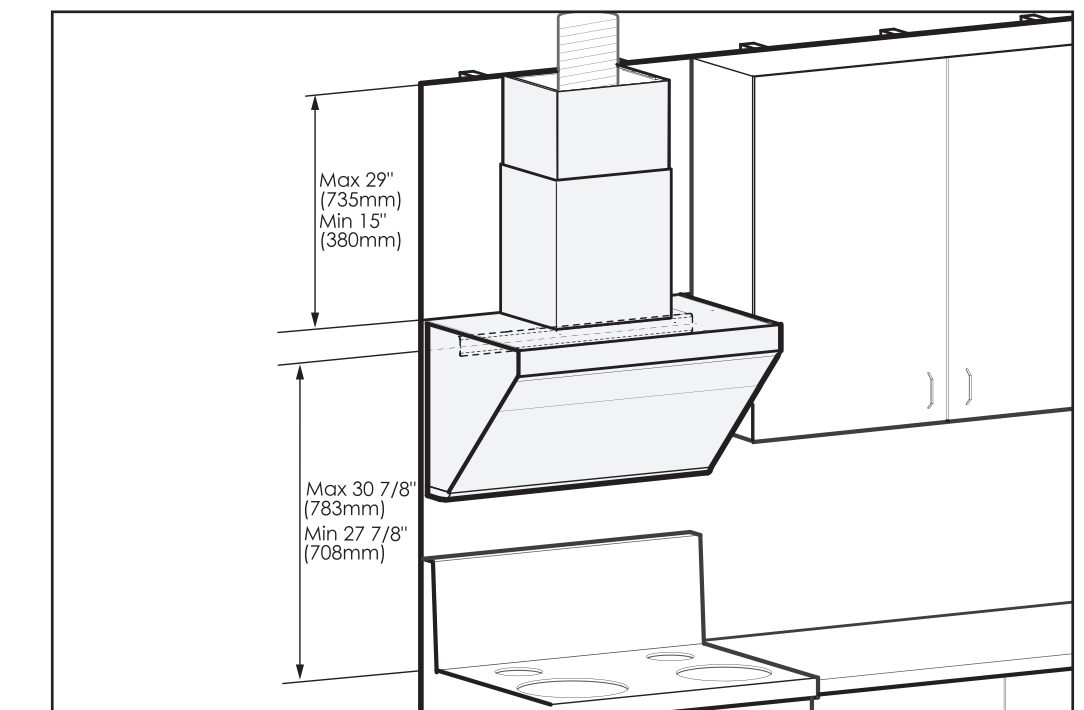
Installation Instruction:



1) Installation Instructions for FOTILE Range Hood with Upper Cabinet



2) Installation Instructions for the Decorative Plate with Upper Cabinet



3) Installation Instructions for the Decorative Cover Without Upper Cabinet

Please scan the QR code for more details:



FOTILE YouTube



US WeChat Service
US Toll Free:888-315-0366

美国微信客服
美国服务电话:888-315-0366



FOTILE Website
方太官网



Canada WeChat Service
Canada Toll Free:844-315-0315

加拿大微信客服
加拿大服务电话:844-315-0315

