

FOTILE

USER'S HANDBOOK

Please read this instruction manual carefully before using

BUILT-IN ELECTRIC STEAM OVEN

SCD42-C2T / SCD42-F1



Thank you for choosing our products, please read the handbook carefully before use.

CONTENTS



Important safety description	1
Packing list	6
Main technical parameters	6
Circuit diagram	7
Installation method	7
Introduction to product structure	9
Quick use instruction	10
Senior advanced operations	17
Common problems handling	23
Suggestions for cleaning and maintenance	25

Important safety description

In order to prevent damages or property losses to users and other people, the following distinction and identification are made hereby.


The following content is important matters related to safety. Please follow them strictly and use them properly based on fully understanding.

Content difference according to hazard and damage degree





	Warning	Ignorance of the identification and faulty operation may lead to personal injury, serious injury or fire.
	Caution	Ignorance of the identification and faulty operation may lead to personal injury or goods damage.
	Advice	Content to be understood for the safety and proper use.

Icon of caution and forbidden content



 **Caution:** tempered glass in product of the Company goes through quality monitoring . However, tempering mechanism of the glass determines small probability for explosion of tempered glass.

• **Special description:** please use the product in strict accordance with the instruction book. The Company will not be responsible for property loss and personal injury due to improper use.

 Warning	
 Forbidden	Please do not use loose or bad contact power plug, which may lead to electric leakage, short circuit and fire.
 Strict implementation	If flexible power supply wire is damaged, please replace it with special flexible wire or special module bought from the manufacturer or repair department; flexible power supply wire must be replaced by special personnel of manufacturer.
 Caution hot	Please power off immediately in case of any fault of the steam oven. Please handle it according to "Common fault identification and handling".
	Please open the door of steam oven after 30-60 seconds after completion of operation. Vapor will come out when the door is open. In order to prevent vapor scald, please keep away from it.

Warning



Required
grounding

To ensure safety, there should be reliable grounding line of plug. Grounding line should not be connected to gas pipe, tap water pipe, lightning rod and telephone wire. Bad grounding may lead to electric shock or other accidental events.



Prohibited

It can not be used by children and person with limited activity. Keep it away from children; otherwise it may lead to scald, electric shock and other accidental events.



Prohibited

Only professional personnel can disassemble the machine to repair it or replace parts.



Warning

The product is for family daily use only. Do not use it for commercial purpose or use it in other special environment.

Caution



Do not touch

Electric steam oven will get hot during usage. Pay attention to avoid getting touch with hot element in steam oven.



Warning

The power must be cut off during cleaning. Please use neutral cleaning agent and soft cloth to wipe and wash to prevent from scratching surface.



Warning

The whole machine should stay away from inflammable substance such as hot resource, gas and alcohol.



Prohibited

Please do not touch steam oven when hands and feet are wet or feet are naked.



Prohibited

Please put heavy substance on the opening steam oven door.



Prohibited

Do not use multifunctional socket which connects many plugs.



Warning

The plug must be pulled off by handling end of the plug. Do not pull off the plug by handling the line. Otherwise it will bring dangers such as an electric shock and short circuit, firing and so on.



Prohibited

Do not use tough cleaning agent or sharp metal knife to clean glass of stem chamber door. Because knife scratches glass surface and results in broken glass.

Suggestion

- The product is only used for family cooking. It will bring risks for other purposes. We will not assume the responsibility of any personnel damage or property loss resulting from deviation of requirement of the instruction.
- Clean the machine before first time use. Take out the water tank at first and wash its inner part with hot water. Do not use any cleaning liquid or agent; inner side scaffold of inner container and attachment can also be taken out for a wash. (Please refer to Maintenance and Cleaning section); it is suggested to use cleaning liquid diluted by hot water to clean inner container and inner wall of steam oven.
- In order to keep it clean, please pour out redundant water after being used each time to avoid concentrated condensate in the machine.

Suggestion

- After being used each time, soft cloth should be used to wipe condensate water groove.
- Open the steam oven door and let damp air disperse until it becomes dry completely.
- If the machine is left alone for a time (for example spending holidays), the machine should be cleaned at first. Then open the steam oven door to avoid peculiar smell.
- Wipe the water in the groove bottom of water tank with cloth at each time of adding water into the water tank.
- When steam oven is not in use, you should ensure it is in close status at first.
- When steam oven function is not unusual, please pull off the power and plug in again. If the problem is not solved, please refer to "Recognition and Treatment on Common problem" for corresponding treatment.
- In order to enhance protection, it is suggested to wear hot insulation gloves when carrying hot vessel at hand. The gloves should avoid being wet otherwise the heat passed through the gloves quickly to cause scald.

Important Instruction

- Proper Installation – Be sure your appliance is properly installed and grounded by a qualified technician.
- Never Use Your Appliance for Warming or Heating the Room.
- Do Not Leave Children Alone – Children should not be left alone or unattended in area where appliance is in use. They should never be allowed to sit or stand on any part of the appliance.
- Wear Proper Apparel – Loose-fitting or hanging garments should never be worn while using the appliance.
- User Servicing – Do not repair or replace any part of the appliance unless specifically recommended in the manual. All other servicing should be referred to a qualified technician.
- Storage in or on Appliance – Flammable materials should not be stored in an oven or near surface units.
- Do Not Use Water on Grease Fires – Smother fire or flame or use dry chemical or foam-type extinguisher.
- Use Only Dry Potholders – Moist or damp potholders on hot surfaces may result in burns from steam. Do not let potholder touch hot heating elements. Do not use a towel or other bulky cloth.
- Use Care When Opening Door – Let hot air or steam escape before removing or replacing food.
- Do Not Heat Unopened Food Containers – Build-up of pressure may cause container to burst and result in injury.
- Keep Oven Vent Ducts Unobstructed.
- Placement of Oven Racks – Always place oven racks in desired location while oven is cool. If rack must be moved while oven is hot, do not let potholder contact hot heating element in oven.

Safety of installation and maintenance

- Before using the machine for the first time, please read important instruction relative to safe machine usage, operation and maintenance in the instruction manual to avoid accidents or damages.
- Ensure the family power voltage and frequency is accordant with that of machine before steam oven installation.
- Ensure your steam oven is handled by specialized service personnel and its safe installation and well grounding. Machine grounding and family grid grounding connection must be ensured to be correct and reliable in order to ensure the electric safety of steam oven. It is a basic safety requirement. The product manufacturer will not assume any responsibility of any damage resulted from problems in family grid.
- Installation, maintenance and repair must be specialized service personnel of FOTILE. Do not install, repair or maintain without authorization.
- The product can not be connected with long distance socket because of its too long cable and it is easily to cause wire overheating and thus brings fire or electric leakage accidents.
- Opening product casing without authorization is forbidden. It is dangerous to touch connection line and electrical element or structure and it may bring electric shock and mechanic trauma.
- Urban transmission line connecting power must be provided with full - pole circuit breaker which can withstand current above 20A independently to satisfy that the steam oven power can be cut off by turn off circuit breaker in case of maintenance or urgent incidents.

Application safety

- Please make sure that the product is installed in cabinet correctively and reliably before operation.
- The product is only used for family cooking and can not be use for cooking of any commercial purpose. There may be safety risk in any other application and may result in personnel damage.
- The power plug or power line can not be immersed by water to prevent dangerous electric shock during using it again.
- From view of safety, please pour out and wipe the water in the water tank to avoid scale.
- After finishing use and cooling, clean the inner container, inner side of door and condensate water groove with clean cloth.
- If it will be not used for a long time, the steam oven should be cleaned completely to avoid peculiar smell. See details in Maintenance and Cleaning section.

About children's safety

- During application, steam comes out from outlet. Even after use, there is still hot temperature on the inner and outer side of the door. Please tell your children to keep a distance with the product for safety.
- When steam oven is in use, it is necessary to take care of children near the product.
- It is forbidden to let your children lean or suspend on the door of the steam oven.
- In order to reduce the risk of damaging your children, do not let your children take the steam oven as plaything or let them play around the steam oven.
- Ensure the plastic bags are saved in place where your children can not reach to prevent suffocating during children playing.

Production safety

- Do not heat the food in the closed container or otherwise it will result in explosion by increasing pressure of container, which is harmful to both machine and operator.
- Please clean and dry the machine after being used each time in time. Because condensed concentration may be corrosive to the machine after a long time.
- Do not use substance that will rust machine or otherwise steam oven will be damaged.
- Try to use the citric acid rust remover when cleaning the rust. Using other rust removers may be harmful to your steam oven.
- Steam cleaner should not be used for cleaning your steam oven because the steam will enter into electric element, which may result in short circuit leading to machine stoppage or even getting an electric shock.
- Please cut off the plug-in strip of steam which supplies chamber power resource in unusual condition and call Service Department of FOTILE for personnel treatment in time. Please stay away from it and do not get close to machine before treatment.
- Relative operations such as maintenance and installation must be finished by professional service staff of FOTILE.

Personnel safety

- The steam oven must be installed at the safe and proper height for convenience of opening or closing the chamber door and taking out food during cooking. Otherwise the coming out steam may scald you. Besides, proper installation height will reduce risks of scalding your child when putting hands on the chamber door.
- Take care of hinge, edge or corner of the chamber door when opening it. Please do not touch it to avoid injury caused by machine.
- Open the chamber door slightly at first when observing or taking out food to let the large amount of steam come out. Then open the chamber door completely to prevent scalding by avoiding the body to touch the steam directly.
- Please take care of the falling drops from condensed water tank when opening the chamber door.
- During cooking, please operate carefully and do not tilt the food in container to make liquid or food come out from the container.
- When getting or putting hot container, please wrap it with thick cloth to prevent it from scalding your hand.
- When removing or moving your steam oven, please pull off power plug of steam oven.

Packing list

Please check whether product and accessory are in a complete set one by one after opening package.

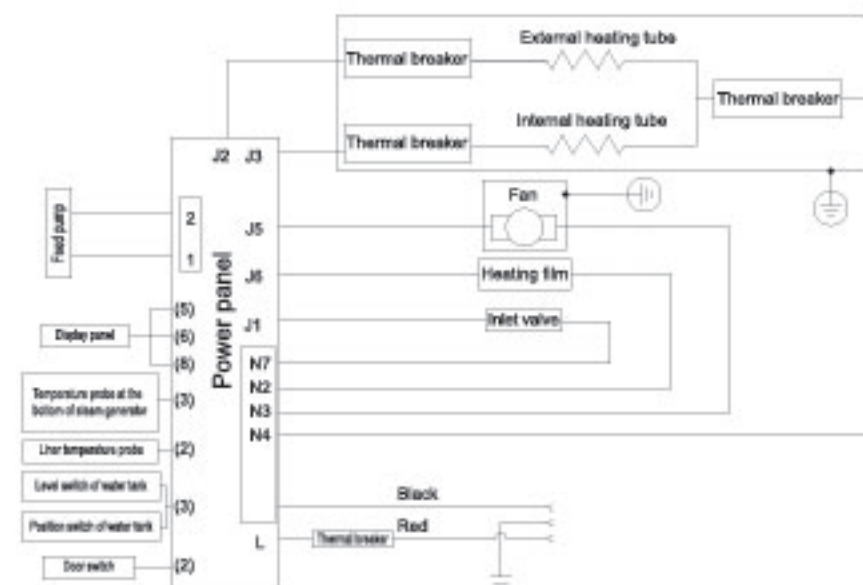
- Please call distributor for treatment if it is the responsibility of us or distributor.
- Please call nearby After-sales Service Centre of company if it is the responsibility of user.

■ Complete machine	1 set	■ Steam tray	1 piece
■ Instruction manual	1 piece	■ Oil-receiving tray	1 piece
■ Sealing ring of water tank interface	2 pieces	■ Wood screw	2 pieces

Main technical parameters

Type	SCD42-C2T/SCD42-F1	Rated capacity	1.48Cu.Ft.
Rated voltage	240V	Net weight	53.6 lbs
Rated power	2400W	Heating method	Steam heating
Rated frequency	60Hz	Control method	Touch

Circuit Diagram



Installation method

- Electric steam oven should be installed at fixed places with easy access for operation and maintenance and should not be installed obliquely.
- Electric steam oven and power outlet should not be installed at places with easy access of being damp or wet by water.
- During removal and placement, electric steam oven should be lifted from handle hole and bottom. Electric steam oven can not be moved by pulling door or handle.
- The electric steam oven is embedded in cabinet. The bottom board of cabinet hole must be able to withstand the weight above 132.3lbs.

Attention: 1. Cabinet material (wood and adhesive) for steam oven installation must be able to withstand the temperature above 212°F.

2. In order to maintain ventilation, the gap larger than 1⁴⁹/₆₄ inches should be saved at the back side.

3. Space larger than 31 1/2 inches must be saved in front the steam oven during installation.

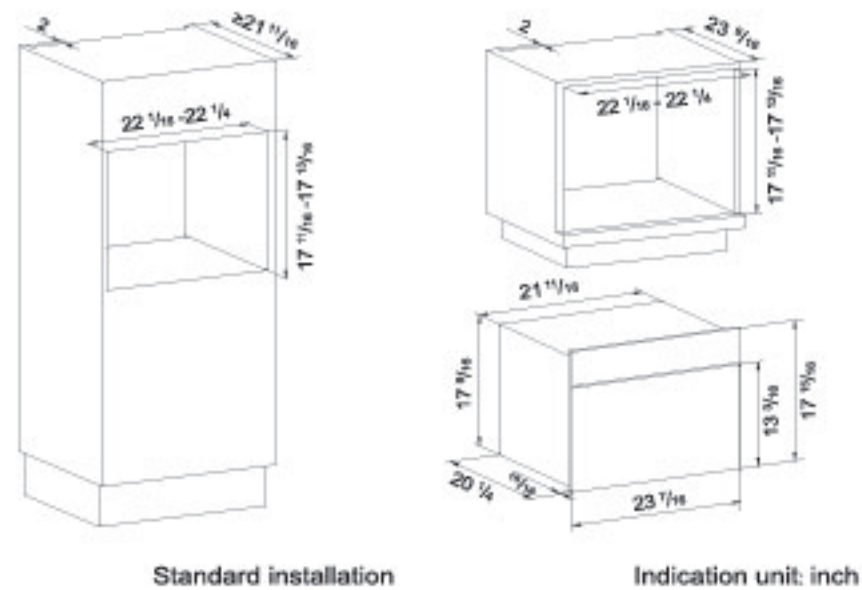
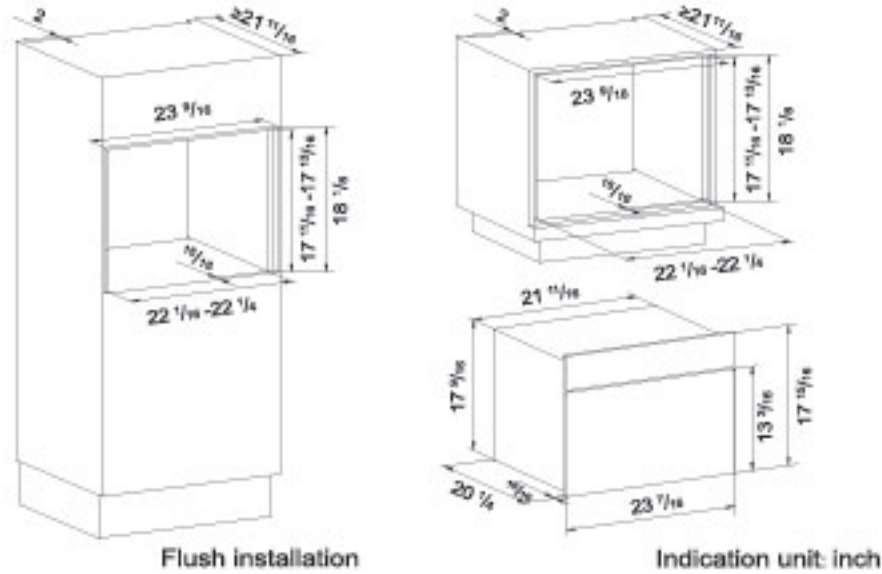
4. Secure the steam oven to the cabinet with the wood screws in the accessory pack (see the schematic drawing for screwing).

5. The steam oven needs to use 10A socket alone and make sure that the socket contacts well. Do not share it with other electrical steam ovens.

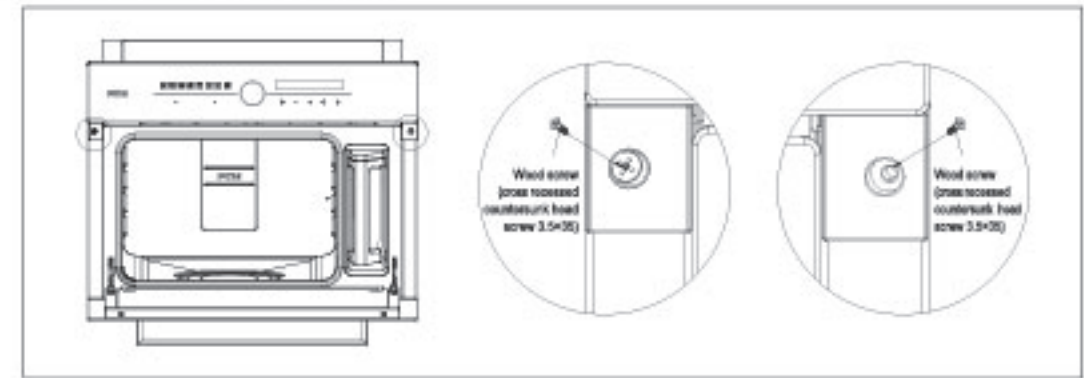
6. After installation, the left, right and upper panels of the steam oven should maintain a distance of more than 1/8 inches from the surrounding walls, cabinets, steam ovens, etc., and the bottom panel of the steam oven should maintain a distance of 7/16 inches or more from the surrounding walls, cabinets, steam ovens, etc.

7. As the steam oven is subject to a full-inspection aging test before delivery, it is normal that there is small amount of residual water remaining in the internal piping and there are a few water droplets in the liner and the water tank.

Remove the outer packaging of the steam oven and the membrane bag, and place the steam oven closer to the mounting hole. One end of the power cord is plugged to the power socket at the back of the steam oven, and the other end is connected to the mains socket (no power). With one hand lifting the steam oven at the grasping location of the steam oven and the other hand supporting the bottom of the steam oven, gently place the steam oven into the hole of the cabinet. Release one hand, and gently push the steam oven to the end. Place the front end of the steam oven on the bottom board of the cabinet. Secure the steam oven to the cabinet with the wood screws in the accessory pack (see the schematic drawing for screwing).

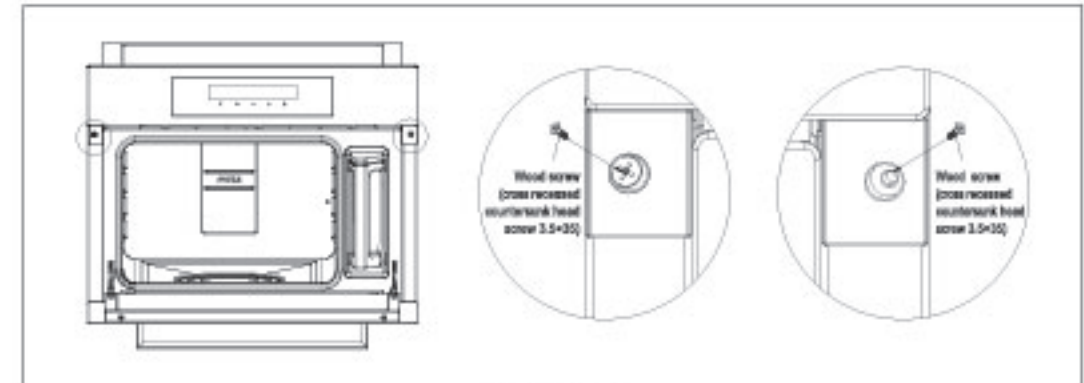


Schematic Drawing for Screwing



SCD42-C2T

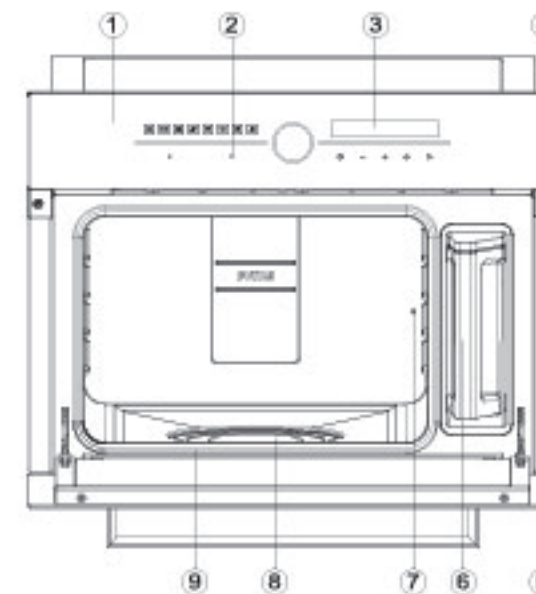
Schematic Drawing for Screwing



SCD42-F1

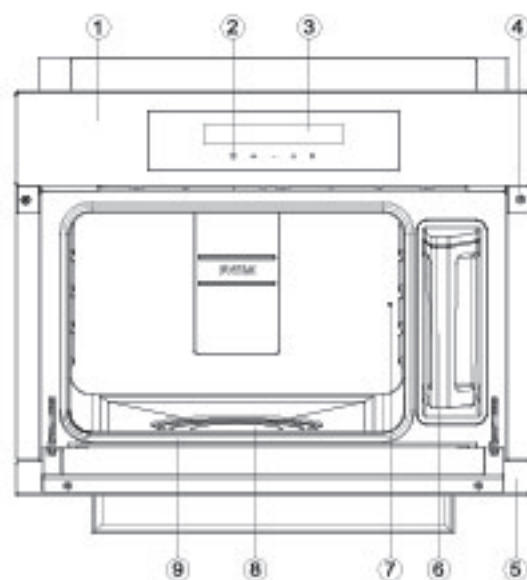
Introduction to product structure

★ SCD42-C2T



- ① Control panel
- ② Touch key
- ③ Display screen
- ④ Erection column for whole machine
- ⑤ Steam oven door
- ⑥ Water tank
- ⑦ Temperature sensor of inner container
- ⑧ Inner container heater
- ⑨ Sealing of rubber door

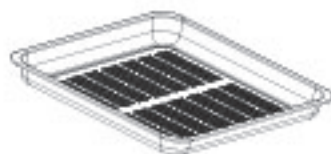
★ SCD42-F1



- ① Control panel
- ② Touch Key
- ③ Display screen
- ④ Erection column for whole machine
- ⑤ Steam oven door
- ⑥ Water tank
- ⑦ Temperature sensor of inner container
- ⑧ Inner container heater
- ⑨ Sealing of rubber door

Accompanying accessories

A steam tray with several-hole design:



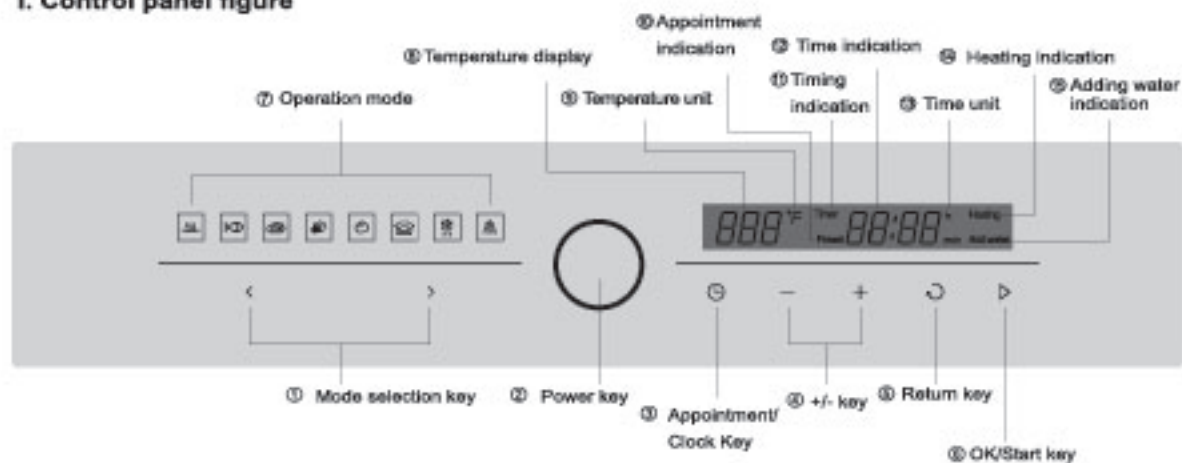
An oil-receiving tray:



Quick use instruction

★ SCD42-C2T

I. Control panel figure



■ Description of the control panel, keys, and display interface

● Operation keys

- ① Mode selection key: Touch this key to select operation mode in a loop.
- ② Power key: Touch this key to turn on. Touch this key to turn off when it is on.
- ③ Appointment/Clock Key: Touch this key to set the clock and appoint cooking time. (See Section: Clock settings, using appointment function for cooking)
- ④ +/- key: Touch this key to set the value required for cooking temperature, cooking time, or clock time.
- ⑤ Return key: During setting, touch this key to return to the previous setting interface: when working, touch this key to return to the mode selection interface.
- ⑥ OK/Start key: Touch this key to confirm the set cooking temperature , time and start cooking.

● Icons and text on the display interface

- ⑦ Operation mode: The operation mode icon is used to identify the available steaming operation mode. There are 8 operation modes available: ordinary steaming, steaming fish , steaming meat, steaming vegetables, steaming pasta, fermenting, defrosting and descaling.
- ⑧ Temperature display: It can display the temperature you set and the real-time temperature inside the steam oven.
- ⑨ Temperature unit: This icon shows the temperature unit you set (°F).
- ⑩ Appointment indication: This icon indicates that you have chosen the appointment mode for cooking.
- ⑪ Timing indication: This icon shows that you are setting or have set the cooking time.
- ⑫ Time indication: It displays the set cooking time and the scheduled countdown time.
- ⑬ Time unit: It displays the unit of time you are setting.
- ⑭ Heating indication: When the icon "heating" is constantly on, it means that the steam oven is in operation. When the door of steam oven is opened during operation, this icon flashes.
- ⑮ Adding water: When this icon flashes, it means you need to add water into the water tank of the steam oven, then push the tank into the tank slot and push it into place.

II. Precautions before every use

■ Water tank filling

Before operation of the steam oven, firstly fill fresh water into the water tank to the highest water level mark of 'MAX', and then insert the water tank into the tank slot, and push it in place. (pure water is preferred).

■ Insert the oil pan (no holes) in the bottom layer of the tank before using the steaming pan (with holes).

Function list

Steaming mode icon	Steaming function	Default temperature (°F)	Default time (min)	Temperature range (°F)	Time range
	Ordinary steaming	212	20	86-212	1 minute - 5 hours
	Steaming fish	212	15	194-212	1 minute - 5 hours
	Steaming meat	212	30	194-212	1 minute - 5 hours
	Steaming vegetables	212	20	194-212	1 minute - 5 hours
	Steaming pasta	212	15	194-212	1 minute - 5 hours
	Fermenting	95	30	95-113	1 minute - 12 hours
	Defrosting	122	30	104-122	1 minute - 5 hours
	Descaling	Fixed settings of program	Fixed settings of program	Fixed settings of program	Fixed settings of program

Note: The default temperature is for reference only. The cooking temperature can be selected according to the characteristics of the cooking ingredients; for example, in the "steaming fish" mode, the default temperature (212°F) is more appropriate when cooking salted or older fish, while when cooking fish with relatively tender meat, cooking temperature and cooking time shall be reduced appropriately. For detailed cooking methods, please refer to the steam oven recipe provided together with the steam oven.

III. Cooking with steam oven

Operation steps: place the dishes in the steam oven → fill water in the tank → turn on the steam oven → select the cooking mode → set the cooking temperature → set the cooking time → confirm and start cooking → finish cooking and shut down → daily cleaning

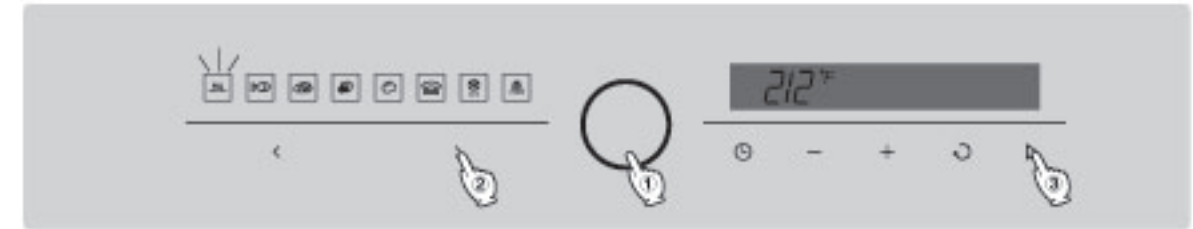
1. Power on/off

Touch the 'Power' key to turn it on (Operation ①), then enter the mode selection interface; touch the 'Power' key in the power-on state and any operation mode to shut down, and the display screen will go out.

2. Choose the cooking mode

In the mode selection interface, the display screen shows all operation mode icons and the first mode icon flashes. At this time, touch the <, > key to cycle through the mode, touch < to select to the left, touch > to select to the right (Operation ②). For example, when the "ordinary steaming" mode is selected, only the "ordinary steaming" icon will flash in the cooking mode icon displayed on the interface. The display interface at this time is shown in the figure below.

Note: The icon or text "Flash" mentioned in the manual is to remind you to set the corresponding item.



3. Set cooking temperature

Touch key to confirm the cooking mode is "Ordinary steaming" (operation ③), the corresponding default temperature value is flashing, touch- or + key to set the required cooking temperature. For each touch, subtract 1 or add 1. Long press the touch to fast forward, as shown in the figure (operation ④). For example, set the cooking temperature to 203°F. Then, touch the to enter the cooking time setting interface (Operation ⑤)



4. Set cooking time

When entering the cooking time setting interface, the time value on the display interface starts to flash. At this time, touch the - or + key to set the required cooking time (in minutes). For example, set the cooking time to 30 minutes, as shown below (Operation ⑥).



5. Start cooking

After the time setting is completed, touch the key (Operation ⑦) and the steam oven starts cooking.

6. Finish cooking

After the set cooking time is reached, the steam oven automatically stops working, and the buzzer sounds for 10 times to remind the user to enter the mode selection interface, and the cooking ends.

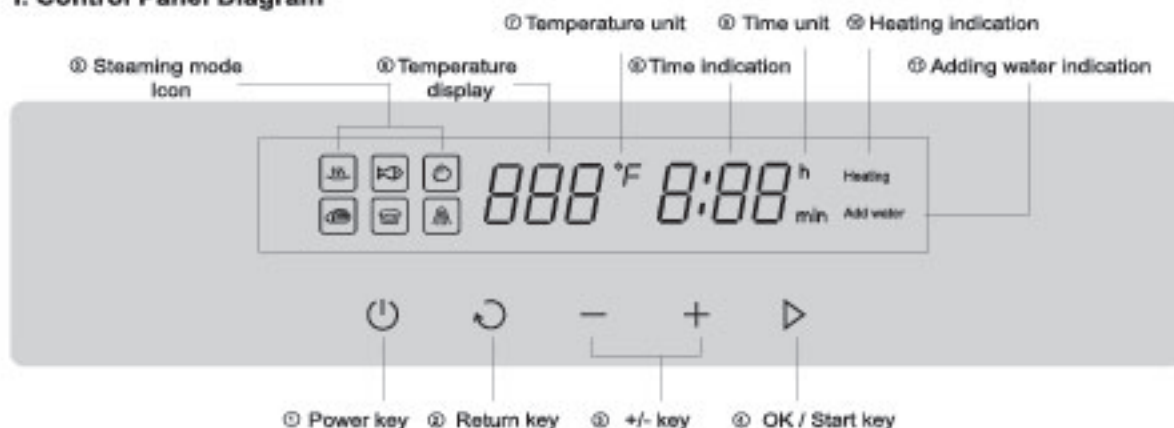
Note: Since the steam oven has no cooling function, when the ambient temperature is higher than the set cooking temperature, the steam oven will not be able to cook according to the set temperature.

Preheat

In the cooking process, the oven needs a certain preheating time (preheating time is about 5-10 minutes according to the use environment and the set temperature). When the temperature in the steam oven reaches the set cooking temperature, the steam oven is preheated. At this point, the steam oven starts cooking and counts down according to the set cooking time.

★ SCD42-F1

I. Control Panel Diagram



■ Description of the control panel, keys and display interface

● Operation keys

- ① Power Key: Touch this key to start the steam oven, and touch this key to turn off the steam oven when it is on.
- ② Return key: Touch this key to exit the existing interface, setting or function.
- ③ +/- key: Touch this key to set the value required for cooking temperature and time.
- ④ OK/Start key: Touch this key to confirm the set cooking temperature and time, and start cooking.

● Icons and text on the display interface

- ⑤ Steaming Mode Icon: It is used to identify the available steam cooking modes. There are 6 kinds of available steam cooking modes: Ordinary steaming, steaming fish, steaming pasta, steaming meat, fermenting, descaling.
- ⑥ Temperature display: It can display the temperature you set and the temperature inside the steam oven.
- ⑦ Temperature unit: This icon shows the temperature unit you set (°F).
- ⑧ Time indication: It can display the cooking time you set.
- ⑨ Time unit: It can display the time unit you are setting.
- ⑩ Heating indication: When the icon "heating" is constantly on, it indicates that the steam oven is in operation. When the door of steam oven is opened during operation, this icon flashes.
- ⑪ Adding water indication: When this icon flashes, it indicates you need to add water into the water tank of the steam oven, then push the tank into the tank slot and push it into place.

II. Precautions before use

■ Water tank filling

Before operation of the steam oven, firstly fill fresh water into the water tank to the highest water level mark of 'MAX', and then insert the water tank into the tank slot, and push it in place. (Please use pure water for cooking to avoid damage to the steam oven due to scale accumulation)

■ Insert the oil pan (no holes) in the bottom layer of the tank before using the steaming pan (with holes).

■ Function list

Steaming mode icon	Steaming function	Default temperature(°F)	Default time (min)	Temperature range (°F)	Time range
	Ordinary steaming	212	20	86-212	1 minute - 5 hours
	Steaming fish	212	15	194-212	1 minute - 5 hours
	Steaming pasta	212	15	194-212	1 minute - 5 hours
	Steaming meat	212	30	194-212	1 minute - 5 hours
	Fermenting	95	30	95-113	1 minute - 9 hours 59 minutes
	Descaling	Fixed settings of program	Fixed settings of program	Fixed settings of program	Fixed settings of program

Note: The default temperature is for reference only. The cooking temperature can be selected according to the characteristics of the cooking ingredients: for example, in the "steaming fish" mode, the default temperature (212°F) is more appropriate when cooking salted or older fish, while when cooking fish with relatively tender meat, cooking temperature and cooking time shall be reduced appropriately.

III. Use Steam oven for Cooking

Operation steps: place the dishes in the steam oven → fill water in the tank → turn on the steam oven → select the cooking mode → set the cooking temperature → set the cooking time → confirm and start cooking → finish cooking and shut down → daily cleaning

1. Power on/off

Touch the 'Power' key to start the steam oven, then enter the standby interface; touch the 'Power' key in the power-on state to complete the power-off, and the display goes out at the same time.

2. Choose the cooking mode

When the standby interface is set, the required cooking mode is selected by touching the '+/-' key, for example, the 'Ordinary Steam' mode is selected, and all cooking mode icons are displayed on the display interface, in which the 'Ordinary Steam' icon flashes and displays the corresponding default temperature. The display interface at this time is shown in the following figure (Operation ①).

Note: The icon or text "Flash" mentioned in the manual is to remind you to set the corresponding item.



3. Set cooking temperature

Touch the 'OK/Start' key to determine the cooking mode as "Ordinary Steam" (Operation ②), with the default temperature value flashing at this time. Touch the '+/-' key to set the required cooking temperature, as shown in the following figure (Operation ③), e.g., after setting the cooking temperature to 212°F, touch the 'OK/Start' key to enter the time setting interface (Operation ④).



4. Set cooking time

When entering the cooking time setting interface, the time value on the display interface starts flashing, and the cooking time required (in minutes) is set by touching the '+/-' key, e.g., the cooking time is set to 1 hour and 30 minutes, as shown in the following figure (Operation ⑤).



5. Start cooking

After the temperature setting is completed, touch the 'OK/Start' key (Operation ⑥), and the steam oven starts cooking.

6. Finish cooking

After the set cooking time is reached, the steam oven automatically stops working, and the buzzer sounds for 10 times to remind the user to enter the mode selection interface, and the cooking ends.

Note: Since the steam oven has no cooling function, when the ambient temperature is higher than the set cooking temperature, the steam oven will not be able to cook according to the set temperature.

■ Preheat

In the cooking process, the steam oven needs a certain preheating time (preheating time is about 5-10 minutes according to the use environment and the set temperature). When the temperature in the steam oven reaches the set cooking temperature, the steam oven is preheated. At this point, the steam oven starts cooking and counts down according to the set cooking time.

Senior advanced operations

★ SCD42-C2T

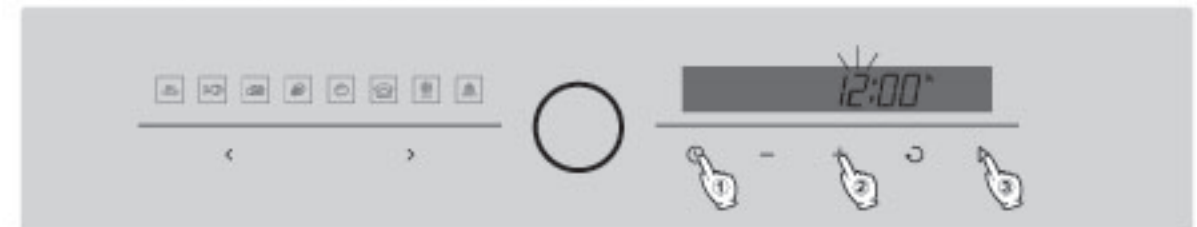
I. Description on Display \ Function Settings of the Product

■ Power on

After the steam oven is connected to the power supply, a buzzer will sound and the clock setting interface is shown. If there is no operation within 2 minutes after the power is turned on, the digital clock standby interface will be entered, and the digital clock interface will be displayed for 40 seconds before entering the shutdown interface.

■ Clock setting

In the mode selection interface, touch the ⌚ key to enter the clock setting interface (Operation ①), at then the time value flashes, as shown below:



Set the time value (hours) by touching the - or + key (Operation ②).

Set the hour first, then set the minute: After setting the hour value, touch the ▷ key to enter the minute value setting (Operation ③).



Set the time value (minutes) by touching the - or + key (Operation ④). After the clock is set, touch the ▷ key to complete the clock setting (Operation ⑤). The interface returns to the mode selection interface.

■ Mode selection interface

Touch "Power" key ⏻ to turn on the steam oven, and it will enter the mode selection interface.

Note: In power-off state, only "Power" key ⏻ is valid.

The mode selection interface is shown in the figure below, and the first mode icon is flickering.



Note: While on the mode selection interface, if there is no operation within 2 minutes after power-on, it will enter the shutdown interface.



■ Cooking interface



While in preheating process, the time displayed by "Time Indication" is the set cooking time, and the temperature displayed by "Temperature Indication" is the real-time temperature inside the steam oven: the preheating is finished when the actual temperature in the steam oven reaches the set temperature. Then, the time displayed by "Time Indication" is the count-down time for cooking, and "Temperature Indication" is the set temperature.

■ Setting of the other seven functions

Setting of the other seven functions: steaming fish '🐟', steaming meat '🍖', steaming vegetables '🥬', steaming flour foods '🍞', fermentation '🍷', and thawing '❄️' are set the same as for common steaming.

As different ingredients require different cooking temperature and firepower in different time periods, it is recommended to select an appropriate cooking mode according to the main ingredients of the dishes in order to achieve optimal cooking performance.

II. Setting of Descaling Function

As scaling may occur on the heating plate at the bottom of the liner after a period of service, the user can choose the descaling program to descale in order to improve the performance.

The basic operation process for "Descaling" is as follows:

a) Put the correct amount of special lime scale remover in the water tank, and add warm water until the marked "descaling water level" of the water tank is reached and the lime scale remover is fully dissolved.

b) Put the water tank into the water tank slot. On the mode selection interface, touch < or > key to select the "descaling" function icon 🧼, and touch key ▶ to start descaling. The display interface while in the descaling process is shown in the figure below:



c) Upon completion of descaling, the steam oven stops operation automatically, and the mode selection interface appears after the buzzer beeping for 10 times, then the descaling ends. After descaling, empty the remaining water in the water tank, and clean the steam oven chamber and water tank.

Note: While in descaling work mode, the time and temperature cannot be selected, and their settings are fixed the program.

III. Cooking via Appointment Function

Operation steps: Fill the water tank → place dishes in the steam oven → turn on the steam oven → select cooking mode → set cooking temperature → set cooking time → set appointment time for cooking → confirm, complete appointment setting → start cooking when the set appointment time arrives → cooking in progress → the steam oven shuts down automatically upon completion of cooking → clean

The first 6 steps above steps, i. e. those till "set cooking time", are exactly the same as for [Use the Steam oven to Cook], and the rest steps from "set appointment time for cooking" are introduced as follows:

1. Setting appointment cooking time

After setting the cooking time, don't touch key ▶ and touch key ⌚ within 2 minutes to enter the setting appointment time for cooking (operation ①), and the time value flickers, as shown in the figure below



Set the desired appointment time (hours) by touching key - or + (operation ②).

Set the hour first, then set the minute: After setting the hour value, touch the ▶ key to enter the minute value setting (Operation ③).



2. Completing appointment settings

Set the time value (minutes) by touching key - or + (operation ④), touch key ▶ upon completion of time setting (operation ⑤), and as shown in the figure below, the interface will display the appointed starting time for cooking. If key ▶ is not touched to confirm, the clock interface appears after 2 minutes.



3. Starting cooking

When the appointed time for cooking arrives, the steam oven starts cooking automatically, and when the steam oven is heated to the set cooking temperature for cooking, the count-down time is displayed.

4. End of cooking

After the set cooking time is reached, the steam oven automatically stops work, and the buzzer beeps for 10 times to remind the user to enter the mode selection interface, and the cooking ends.

IV. Other Additional Functions

Function Name	Function Description
Cooking time, cooking temperature change function	While the entire steam oven is working, the cooking temperature can be reset by touching key - or +, then touch ▷ to confirm; after setting the cooking temperature, touch key - or + to reset the cooking time, then touch ▷ to confirm.
Changing appointment time	While the appointment is in waiting, touch ⌚ to enter the setting for changing the appointment time, touch key - or + to change the appointment time, then touch ▷ to confirm. If key ▷ is not touched to confirm, the new set appointment time will be nullified. While the entire steam oven is working, setting or changing the appointment is disabled.
Fan cooling function	Upon the end of the steam oven's timed operation, the fan continues to run for 20 minutes.
Water shortage warning func	When the water in the water tank is lower than the minimum level, "Add Water Please" will be displayed on the screen, and the buzzer beeps three times every 30 seconds. At this time, please take out the water tank and add normal temperature drinking pure water to the "MAX" mark, and then push in place the water tank in the tank slot (Please use pure water in cooking to avoid damage to the steam oven due to scale accumulation)

★ SCD42-F1

I. Description of Product Display/Function Settings

■ Power on

After the steam oven is connected to the power supply, the display screen is turned off after all of them are displayed, and the buzzer beeps and enters the power-off state. Power-off status: No display on display screen.

■ Standby interface

Touch the 'Power' key to start the steam oven and enter the standby interface.

Note: In power-off state, only the 'Power' key is valid.

In standby state, the display interface is shown in the following figure



Standby state

Note: If there is no operation in the standby interface for 2 minutes, the steam oven will be shut down.

Note: If there is no operation within 2 minutes in the setting state, the steam oven will enter the standby state.

■ Cooking work interface



While in preheating process, the time displayed by "Time Indication" is the set cooking time, and the temperature displayed by "Temperature Indication" is the real-time temperature inside the box: the preheating is completed when the actual temperature in the box reaches the set temperature. The time displayed by "Time Indication" is the count-down time for cooking, and "Temperature Indication" is the real-time temperature.

■ Setting of descaling function

As scaling may occur on the heating plate at the bottom of the liner after a period of service, the user can choose the key/descaling program to descale in order to keep the performance efficiency. The basic operation process for "Descaling" is as follows:

- Put a pack of special scale scavenger to the water tank, fill warm water to "Descaling Level" on the water tank scale marking, and stir well until it is completely dissolved;
- Put the water tank into the water tank slot. On the mode selection interface, touch key '+/-' to select the "Descaling" function icon "⚙️", touch key 'OK/Start' to start descaling. The display interface in the descaling process is shown in the following Figure below:



c) Upon completion of descaling, the steam oven stops operation automatically, and the buzzer sounds for 10 times and the steam oven enters the mode selection interface, and the descaling ends. After descaling, empty the remaining water in the water tank, and clean the steam oven chamber and water tank.

Note: While in descaling work mode, the time and temperature in default setting cannot be selected.

II. Other Additional Functions

Function Name	Function Description
Cooking time, Cooking Temperature change function	While the entire appliance is working, the cooking temperature can be reset by touching key '+/-' and key 'OK/Start'. After setting the cooking temperature, touch key '+/-' to reset the cooking time, then touch key 'OK/Start'.
Fan cooling function	Upon the end of the steam oven's timed operation, the fan continues to run for 20 minutes.
Water shortage Warning function	When the water in the water tank is lower than the minimum level, "Add Water Please" will be displayed on the screen, and the buzzer beeps three times every 30 seconds. At this time, please take out the water tank and add normal temperature drinking pure water to the "MAX" mark, and then push in place the water tank in the tank slot (Please use pure water in cooking to avoid damage to the steam oven due to scale accumulation)

Common problems handling

■ About water tank

1. The highest water level scale identification is in the top part outside the water tank. When you fill water into water tank, please fill to the extent that water level reaches the highest water level scale line. This can prolong continuous cooking time of one-time water injection furthest. During water injection, water level should not exceed the highest water level scale line and water in water tank should not overflow during insertion and extraction of water tank.
2. In order to reduce vapor generation time, hot water below 176 °F may be used. Hot water should not be poured out.
3. Push water tank with injected water into the steam oven and the machine can operate. If water tank is not pushed into the steam oven completely, steam oven will not be heated and "Add water" icon will flash.
4. If "Add water" icon on the display screen flashes and buzzer buzzes, it indicates that water level in water tank is below the minimum water level. The steam oven will stop working and please inject water promptly at this time.

■ About cooking time and cooking effect

1. Preheating time is too long. Inspect whether door is closed firmly or not or whether there is air leakage in the door. Please close the door firmly if it is not. If there is still obvious air leakage at this time, please contact service of FOTILE Company for repair; inspect whether there is dirt on temperature sensor in the box, if there is, please clean it promptly.
2. Cooking time is too long. First of all, steam oven door should not be open during cooking process frequently so as to reduce heat loss in this process; inspect whether door is closed firmly or not or whether there is air leakage in the door. Please close the door firmly if it is not. If there is still obvious air leakage at this time, please contact service of FOTILE Company for repair.
3. Much condensed water in the box. Inspect whether the steam oven is cleaned and water in the box is discharged after each time of use.
4. Much condensed water in the dinner plate after completion of cooking. Dished may be covered with preservative film before cooking or steam oven may be preheated ahead of time and then dishes may placed in the box when preheating is almost finished.

■ Selection of cooking container

Stainless steel cooking containers are attached to the steam oven and users can also purchase other accessories. Pay attention to the following content during selection of appropriate cooking container: try to use cooking container with multi-hole as vapor can contact food through small holes and food will be cooked more equally with faster heating speed; when food such as stewed product are cooked, cooking time will be longer as food is small, and placed densely and space among food is small or there is even no such space and vapor can not exert its function completely. Therefore, food should be placed in the oblate body container to make more space for vapor during cooking; appropriate placement height of food is 1³/₁₆-2 inches and too much amount of food will prolong cooking time and even influence food taste. Steam oven is designed to cook for 6-8 people and too much food should not be placed in it.

Heat-resistant glass, glass-ceramic, porcelain, stainless steel and enamel container can also be used.

**Attention:**

If plastic cooking container is used, please ensure that it can resist 212 °F high temperature and vapor. If cooking container with large thickness is used, cooking time will be long. Please place cooking container on the steaming tray attached to the machine. Edge top of the container should be at least 3cm away from top of cooking box so as to let sufficient vapor into the container.

Common fault identification and handling

For the sake of your safety, please press power key for shut down and then conduct corresponding fault handling.

Fault phenomenon	Cause analysis	Solution
E2	The temperature sensor on the heating plate at the bottom of the liner is short or open circuited	Disconnect the power from the steamer, and power on again to restart. If the fault persists still, please call FOTILE service.
F3	The liner temperature sensor is open circuited	
F4	The liner temperature sensor is short circuited	
No response after the power cord of the steamer is plugged.	Cause 1: The power cord is disconnected from the steamer.	Unplug the power cord from the mains socket, and power on again after the other end of the power cord is connected appropriately to the steamer.
	Cause 2: The connection cable of the control panel is not connected.	Please call FOTILE service to get service arranged.
	Cause 3: No power on the mains socket.	Contact a qualified electrician for inspection and repair.
The steamer works but no steam is generated.	Cause 1: The heating plate of the liner is open circuited.	Unplug the power cord of the steamer from the mains socket, and call FOTILE service to get service arranged.
	Cause 2: Fuse broken.	
	Cause 3: The relay in the power panel controlling the heating plate at the bottom of the liner has failed.	
	Cause 4: The temperature sensor of the liner has failed.	
	Cause 5: Blades on the mains socket plugged incorrectly.	
	Cause 6: Door not closed tightly or troubled.	
The steamer leaks	Cause 1: Water in the condensation box overflows.	Absorb with cloth.
	Cause 2: The heating plate at the bottom of the liner is not tightly sealed.	Unplug the power cord of the steamer from the mains socket. Please call FOTILE service to get service arranged.
	Cause 3: Poor sealing of the liner.	
	Cause 4: Leaking water tank.	
	Cause 5: Broken inlet water pipe or exhaust pipe.	
	Cause 6: Poor sealing of the temperature sensor of the liner.	
	Cause 7: The water tank has not pushed in place.	

Fault phenomenon	Cause analysis	Solution
Steam is generated but food cannot be well cooked	Cause 1: The temperature sensor of the liner has failed.	Unplug the power cord of the steamer from the mains socket, and call FOTILE service to get service arranged.
	Cause 2: Blades on the mains socket plugged incorrectly.	
	Cause 3: Broken or deformed inlet water pipe.	
	Cause 4: Failure of heating plate at bottom of the liner	
Food can be cooked, but messy codes or slow temperature rise is displayed	Cause 1: The temperature sensor of the liner has dropped off.	Unplug the power cord of the steamer from the mains socket, and call FOTILE service to get service arranged.
	Cause 2: The temperature sensor of the liner has failed.	



Warning: If the steamer still fails to work normally after all of above simple troubles have been eliminated, please call FOTILE service. This product must be repaired by a professional appointed by the Company in order to ensure the safety and correct use. If the product cannot be used normally due to the customer entrusting the person not appointed by the Company for repair or repair by customer himself/herself, even during the warranty period, it will not be repaired free of charge, and the Company shall not be liable for any property loss or personal damage caused thereby.

Suggestions for cleaning and maintenance**General precautions**

The inner container should be cleaned after being used each time. The cleaning must be executed after inner container become cool. Making sure the inner container is completely dry before closing the steam oven door.



Warning: the steam can not be used for cleaning the machine otherwise pressurized steam will make permanent damage on surface and accessories. We will not assume the responsibility of consequences above. Do not use cleaner of alkali/soda, acid or chlorine, cleaning spray or cleaner for dishwashing machine and corrosive cleaner, hard brush or scouring pad and wire brush. Sponge with corrosive cleaner should not be used to prevent scratching surface.

Edge banding/ steam oven edge banding

Please clean or wipe steam oven edge banding after being used each time. Please use sponge with hot water but cleaner. Edge banding may have perforations or breaks for a long-term use. Please replace edge banding if above conditions occur.



Warning: do not use cleaner of surface active agent and make sure no cleaner sticking on steam oven edge banding.

Panel and casing of steam oven

Panel, chamber door and casing of steam oven can be cleaned by with hot water and little cleaner, and wiped with cloth. Wipe it with soft cloth after cleaning. Screen painting area is easily scratched and rusted by acid materials. Therefore please clean it carefully according to above requirement. Try not to use stainless steel cleaner or cleaning media otherwise it should be wiped as soon as possible to prevent the remaining dirt from damaging your steam oven surface.

Stainless steel panel and/or casing

Never-wear cleaner and care agent are recommended for use. Please wipe along with the steel line with average strength.

Steam tray, side scaffold and cooking container

Steam tray, side scaffold and cooking container must be cleaned and wiped after being used each time.

Suggestion: Accessory above can be put into dishwasher for wash.

Inner container of steam tank

Please clean inner container of steam tank after being used each time. Wipe the coagulum in inner container or inner wall with sponge or soft cloth with strong suction. Most cooking residue can be cleaned with cloth and mild cleaner with hot water. In areas with poor water quality, there may be a layer of settlings in inner wall of steam oven and it can be wiped with wet cloth with little vinegar. Clean and swipe the inner wall with clean water. Clean and swipe chamber top and condensed groove, inner wall of chamber door and card slot for storing water tank.

Suggestion: cleaning will be easier by taking out side scaffold of two sides before cleaning inner wall.

At the same time, clean and wipe steam oven top and condensed groove, inner wall of chamber door and card slot for storing tank.

Water tank

Please pour out and wipe the water in water tank after being used each time;



Sealing ring of water tank interface is quick-wear part. It may be damaged or broken seriously after being used for many times. If the condition occurs and affects sealing effect between water tank and water tank seat, sealing ring (two amenities attached with machine) of water tank interface can be replaced by self or by calling After-sales Department of FOTILE to arrange staff by door-to-door service.

Heating tray of inner container bottom

Please wipe water in inner container bottom after being used each time.

After steam oven operates for a period of time, it is hard to avoid dirt on heating tray of inner container bottom. Please remove dirt by scale remover at food grade in order to increase its working efficiency and expand its usage span. See operation details in "Function settings of dirt removal".

Warning: in order to keep it clean, please wipe water in water tank and inner container, inner wall and heating tray of inner container bottom to avoid settlings after being used each time; do not use scouring pad or wire brush for cleaning. Due to higher temperature on the heating plate at the bottom of the liner after being used, the steam oven should not be cleaned before the temperature on the heating plate drops to a proper level.

FOTILE 方太

使用说明书

请妥善保管，以备参阅

使用产品前请仔细阅读
本说明书

电 蒸 箱

SCD42-C2T/SCD42-F1

1107000404310

宁波方太厨具有限公司 NINGBO FOTILE KITCHENWARE CO.,LTD.

尊敬的用户，您好！感谢您选购方太公司为您精心制造的方太系列产品，使用前请通读本说明书，您将从中了解正确的操作规范，并享受到全新的下厨乐趣。

方太对您的承诺是“让家的感觉更好”。我们有责任使您对崭新的方太产品感到满意，请您在使用前务必认真阅读《使用说明书》，并遵从说明书要求进行使用，本说明书的操作说明对于维持产品的良好工作状况十分重要，若因使用不当造成产品故障，您将丧失免费保修的权利，任何直接或间接的免费保修申请将不被本公司售后服务中心所接受。同时我们建议您在质量保修期内及保修期后需要维修时请致电方太售后服务中心，这对您和我们都是非常重要的。如果没有好的服务，您等于只购买到一半的产品，方太更佳感觉星级服务宗旨就是“努力，让顾客完全满意”。我们的售后服务中心将为您提供宁波方太厨具有限公司纯正的零部件及专业的技术支持，使您的产品得到优质快捷的维修保障，同时让您得到轻松细心的服务。

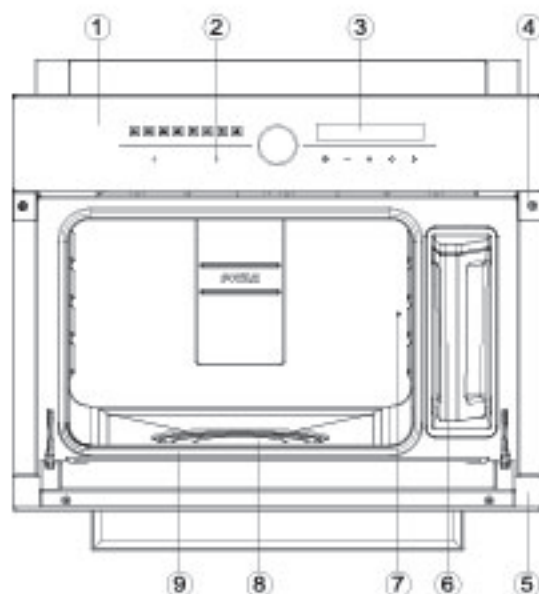
目录

目录	1
产品结构介绍	2
安全注意事项	3
快速使用指南	7
高级进阶操作	14
装箱清单	18
安装方法	18
主要技术参数	20
电气接线图	20
清洁保养建议	20
常见问题处理	22

产品结构介绍

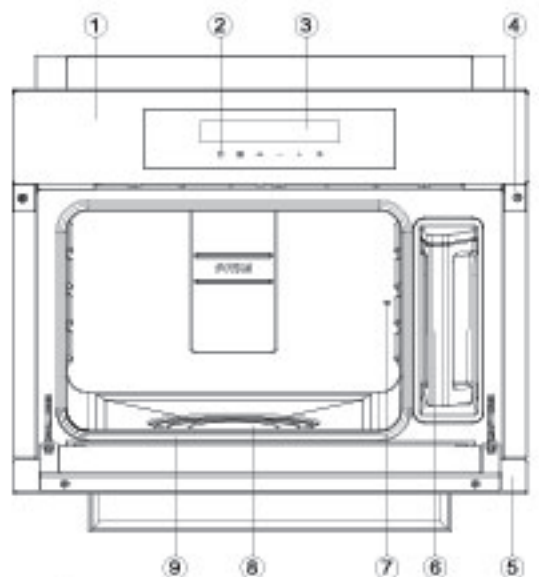
图例

★SCD42-C2T



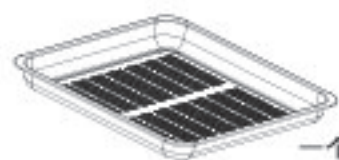
- ① 控制面板
- ② 触摸按键
- ③ 显示屏
- ④ 整机安装柱
- ⑤ 蒸箱门
- ⑥ 水箱
- ⑦ 内胆温度传感器
- ⑧ 内胆底部发热盘
- ⑨ 橡胶门封

★SCD42-F1



- ① 控制面板
- ② 触摸按键
- ③ 显示屏
- ④ 整机安装柱
- ⑤ 蒸箱门
- ⑥ 水箱
- ⑦ 内胆温度传感器
- ⑧ 内胆底部发热盘
- ⑨ 橡胶门封

随机附件



一个多孔式设计的蒸盘。



一个接油盘。

安全注意事项

为了避免对使用人员及其他人员造成危害及财产损失，特作如下区分及标志。以下均为有关安全的重要事项，敬请严格遵守，并在充分理解内容的基础上正确使用。

根据危害、损害程度进行的内容区分











- 危险** 若忽视这一标志，并进行错误操作，极有可能导致人员危险，重伤或引起火灾。
- 警告** 若忽视这一标志，并进行错误操作，有可能导致人员危险，重伤或引起火灾。
- 注意** 若忽视这一标志，并进行错误操作，有可能导致人员受伤或造成物品损害。
- 建议** 为了安全，正确地进行使用，希望予以了解的内容。

警告、禁止内容的图标



警告：本公司产品上的钢化玻璃进行了品质监控，但玻璃的钢化机理决定存在极小概率的钢化玻璃自爆。

特别说明：请严格按照本说明书规定使用，由于本产品不当使用造成的任何财产损失、人身损害，本公司不承担责任。

危险	
 禁止	请不要使用松动或接触不良的电源插座。否则易导致触电、短路、起火。
 严格执行	如果电源软线损坏，为了避免危险，必须由制造商、其维修部或类似部门的专业人员更换。
 需要接地	插座必须具有可靠的接地线，以确保安全。不得将接地线接于煤气管、自来水管、避雷针及电话线上。接地不良可能引发触电或者其它意外事故。
 禁止拆卸	非专业人员不得擅自拆机维修或更换零件。
 严格执行	请使用纯净水进行烹饪，以免水垢积攒后损坏机器。
 严格执行	如果蒸箱出现任何故障请立即断电停止使用，并按照‘常见故障识别与处理’进行相应处理。
 小心警告	工作完毕后，请在30-60秒后打开蒸箱门，开门时有蒸汽喷出，人应站在离蒸箱门稍远处，以免蒸汽烫伤。
 禁止	请不要让儿童和行动不方便者自己使用，更不要放在幼儿可以触及到的地方使用，否则可能导致烫伤、触电和其它意外伤害。
 严格执行	本产品仅供家庭日常使用，请不要用于商业用途或在其它特殊环境中使用。
 小心警告	工作完毕后，内胆底部仍有较高温度，请勿立即清洁内胆以免烫伤，需要等内胆冷却后再清洁。

警告

 电蒸箱在使用期间会发热，注意避免接触蒸箱内的发热元器件。	 清洗时必须切断电源，注意使用中性和清洗剂，同时注意使用柔软抹布擦洗，防止划伤表面。
 整机远离热源、煤气和酒精等易燃品。	 请不要在手脚潮湿、赤脚的状态下触摸蒸箱。
 请不要将重物放在开启的蒸箱门上。	 请不要使用连接多个插头的多功能插座。
 拔出插座上的插头时，必须手握插头的端部将其拔出，请不要手拿电源线拔插头。否则易发生触电、短路、起火等危险。	 不要使用粗糙清洗剂或锋利的金属刮刀清洁蒸箱门的玻璃，因为它们会擦伤玻璃表面，从而导致玻璃破碎。
 在使用时可触及部分可能会发热，儿童应远离。	

注意

- 本产品仅供家庭烹饪使用，如作其他用途会有危险。未按照本说明书要求使用所造成的任何人身损害、财产损失，本公司不承担任何责任。
- 首次使用前清洁。首先取出水箱，用热水冲洗水箱内部，切勿使用任何清洁液或清洁剂。内胆内部侧支架、随机附件亦可取出冲洗（请参阅[保养清洁]部分），建议使用经热水稀释的清洁液清洁蒸箱内胆内壁。
- 为保持卫生，请在每次使用后把水箱里多余的水倒出，避免积聚冷凝物在机内。
- 每次使用后，应用柔软抹布抹干冷凝水槽。
- 打开蒸箱门，让箱内的湿气散去，直至干透为止。
- 如将不使用本机一段时间（如度假），应先彻底清洁本机，随后打开蒸箱门，以免产生异味。
- 水箱在使用中每加一次水要用布抹干水箱卡槽底部积水。
- 蒸箱在不使用时，应先确认蒸箱处于关闭状态。
- 蒸箱出现功能不正常时，请拔掉电源重新上电，若仍有问题，请按照‘常见故障识别与处理’进行相应处理。
- 为加强保护，拿烫手的器皿时，建议戴上隔热手套。避免手套湿水，否则热力很快传过手套，造成烫伤。

重要说明

- 正确安装——确保由合格技术人员正确安装本产品并接地。
- 严禁将本产品用于房间取暖或加热。
- 请看护好孩子——请勿将儿童单独留在使用本产品的区域。绝不能让儿童坐在或站在本产品的任何部位上。
- 穿着适当——使用本产品时，请勿穿宽松肥大的衣服。
- 用户检修——除产品说明书中的明确建议外，切勿自行修理或更换本产品的任何零部件。所有其他检修工作应交给合格技术人员处理。
- 产品内外存放物品——请勿在蒸箱内或其表面装置附近存放易燃物。
- 油脂着火时，请勿用水扑灭——将火或火焰闷熄，或使用干粉灭火器或泡沫灭火器。
- 仅使用干的隔热手套——使用潮湿的隔热手套接触高温表面可能会导致蒸汽烫伤。请勿用隔热手套触碰高温加热元件，勿使用毛巾或其他粗布块。
- 开门时请小心——取食物或更换食物前，先让热空气或热蒸汽散离。
- 请勿给未开启的食物容器加热——压力集聚可能会导致容器爆炸，造成人员伤害。
- 请勿堵塞蒸箱排气管。
- 蒸盘的放置——应始终在蒸箱冷却状态下把蒸盘放在预定位置。如果必须在蒸箱处于高温状态下移动烤架，请勿让隔热手套触碰蒸箱内的高温加热元件。

安装维修安全

- 首次使用本机前，请先阅读本操作说明书有关本机的安全使用、操作及护理的重要说明，从而避免意外及损坏。
- 在安装蒸箱前确保家庭所用电源的电压和频率与本机相符。
- 确定您的蒸箱由专业的安装服务人员完成，并且确定安装安全可靠并接地良好。为了保证蒸箱的用电安全，必须确保机器接地和家庭电网接地连接正确并可靠，这是一项基本的安全要求。如果家庭电网存在问题，并由此产生的伤害，本产品制造商不负任何责任。
- 安装、修理必须由方太专业的服务人员完成，请勿擅自安装、修理。
- 为保障安全和正确使用，本产品必须由本公司指派的专业人员进行安装和维修，如因消费者委托非本公司指派的人员或消费者自行安装和维修，而导致产品不能正常使用的，即使在保修期内，也不属于免费维修范围。
- 不能使用长距离的插线板来连接本产品，因为线缆过长，机器工作时容易引发电线过热而造成火灾或漏电事故。
- 禁止擅自打开本产品外壳，接触连接线、电气件或者结构件是危险的，有可能会触电或引起机械创伤。
- 电蒸箱安装后，如果不能触及电源插头，则应由符合布线规定的固定布线的开关完成，以满足维修或突发事件时，通过此开关切断电源。

使用安全

- 请确保本产品正确可靠地安装在橱柜中后再进行操作。
- 本产品仅限于家庭烹饪，而不能用于任何商业目的烹饪，其他任何应用也会存在安全风险，并有可能造成人身伤害。
- 不能将电源插头、电线等浸入水中，以免再次使用时发生触电危险。
- 从卫生考虑，每次使用完毕后请将水箱中的水倒干擦净，避免产生水垢。
- 使用完毕并冷却后，用干净的布擦干内胆、门体内侧和冷凝水槽。
- 如果打算长时间不再使用，则应将蒸箱彻底清洁，避免气味产生。详见[保养清洁]部分。

对于儿童安全

- 在使用中，有蒸汽通过出风口溢出，即便在停止使用后，门的内外都会有点温度，所以请您的孩子与本产品保持一个安全距离，并予嘱咐。
- 在蒸箱工作时，有必要照看产品附近孩子。
- 不允许您的孩子靠着或悬挂在蒸箱的门体上。
- 为减少伤害您孩子的风险，请不要让您的孩子将蒸箱作为游戏的道具，也不要让您的孩子在蒸箱附近玩耍。
- 确保塑料袋放在您孩子够不到的地方保存，防止孩子玩耍时窒息。

产品安全

- 不要加热盛于密闭容器的食物。在加热下会增加容器内压力，可能会引起爆炸，使机器受到损伤，同时人体也会受到伤害。
- 在每次使用后，请及时清洗并擦干机器，因为冷凝后的浓缩物在长时间下可能会对机器产生腐蚀作用。
- 不要使用使蒸箱生锈的物体，这样会损伤您的蒸箱。
- 在除锈时，尽量采用柠檬酸除锈剂，使用其他除锈剂可能会损害您的蒸箱。
- 不要用蒸汽清洁器来清洗您的蒸箱，蒸汽会渗透到电子元器件，造成短路而使机器无法正常工作，甚至导致触电。
- 如果发生异常情况，请关掉提供蒸箱电源的闸刀，立即联系方太公司服务部门来人处理。在未处理前请远离机器，不要靠近。
- 维修、安装等相关工作必须由方太专业的服务人员操作。

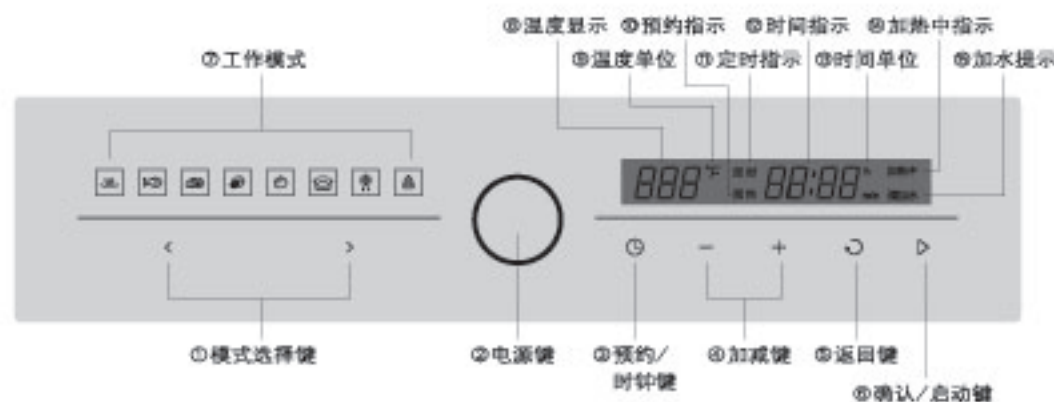
人员安全

- 蒸箱必须安装安全合适的高度，方便在烹饪时开关门体并取放食物，否则溢出的蒸汽可能会烫伤您；另外合适的安装高度将降低您的孩子将手放在门体上烫伤的风险。
- 开门时，小心门体的铰链、边沿及角落，请勿触摸，避免产生机械创伤。
- 在观察或拿取食物时，先微微开启门体，让大量蒸汽溢出，然后再打开门体，避免手或身体部位直接接触蒸汽，防止烫伤。
- 在开门时，请注意冷凝水槽中的水溅落。
- 在烹饪食物时，请小心操作，不要将食物的容器侧倾而使积液流出或食物流出。
- 在取放热的容器时，请用厚布包裹后取放，避免烫伤您的手。
- 在丢弃或移动您的蒸箱时，请先拔下蒸箱的电源插头。

快速使用指南

★SCD42-C2T

一、控制面板图



■ 关于控制面板、按键及显示界面的说明

● 操作按键

- ① 模式选择键：触摸此键可循环选择工作模式。
- ② 电源键：触摸此键可开机，开机状态下触摸此键可关机。
- ③ 预约/时钟键：触摸此键可以设置时钟和预约烹饪时间。（参见章节：时钟设置、使用预约功能进行烹饪）
- ④ 加减键：触摸加减键可设置烹饪温度、烹饪时间或时钟时间所需的数值。
- ⑤ 返回键：设置过程中，触摸此键返回至上一步设置界面；工作中，触摸此键返回至模式选择界面。
- ⑥ 确认/启动键：触摸此键可以确认设置的烹饪温度、时间以及启动烹饪。

● 显示界面的图标和文字等

- ⑦ 工作模式：工作模式图标用于标识可用的蒸汽工作模式，工作模式有8种可选模式：普通蒸、蒸鱼、蒸肉、蒸蔬菜、蒸面食、发酵、解冻、除垢。
- ⑧ 温度显示：可显示您设定的温度以及箱体内的实时温度。
- ⑨ 温度单位：此图标显示您设置的温度单位(°F)。
- ⑩ 预约指示：此图标标识您选择了预约模式进行烹饪。
- ⑪ 定时指示：此图标显示表示您正在设置或者已经设定好了烹饪时间。
- ⑫ 时间指示：可显示您设定的烹饪定时时间以及预约倒计时时间。
- ⑬ 时间单位：显示您正在设置的时间的单位。
- ⑭ 加热中指示：图标“加热中”常亮时，表示您的蒸箱正在烹饪工作中，工作中打开门时，此图标闪烁。
- ⑮ 加水提示：此图标闪烁时，表示需要您为您的蒸箱水箱加水，然后将水箱推入水箱卡槽中，并且推到位。

二、每一次使用前注意事项

■ 水箱注水

蒸箱工作前，首先往水箱里注入饮用淡水至“MAX”最高水位刻度线处，然后将水箱插入水箱卡槽中，并且推到位。（最好采用纯净水）。

■ 在使用蒸盘（有孔）前请在内胆中的底层插入接油盘（无孔）。

■ 功能一览表

蒸模式图标	蒸功能	默认温度(°F)	默认时间(min)	温度范围(°F)	时间范围
	普通蒸	212	20	86-212	1分钟 - 5小时
	蒸鱼	212	15	194-212	1分钟 - 5小时
	蒸肉	212	30	194-212	1分钟 - 5小时
	蒸蔬菜	212	20	194-212	1分钟 - 5小时
	蒸面食	212	15	194-212	1分钟 - 5小时
	发酵	95	30	95-113	1分钟 - 12小时
	解冻	122	30	104-122	1分钟 - 5小时
	除垢	程序固定设置	程序固定设置	程序固定设置	程序固定设置

注：默认温度仅作参考，可根据烹饪原料的特点，选择合适的烹饪温度。例如，“蒸鱼”模式，默认温度（212°F）在烹饪腌制或肉质较老的鱼类时较为合适，而烹饪肉质相对细嫩的鱼时，应当降低烹饪温度以及缩短烹饪时间。详细烹饪方法可参考随本机赠送的蒸箱菜谱。

三、使用蒸箱进行烹饪

操作步骤：放置菜肴于箱体内→水箱注水→开机→选择烹饪模式→设定烹饪温度→设定烹饪时间→确认并开始烹饪→烹饪结束并关机→日常清洁

1. 开机\关机

触摸“电源”键 即可开机（操作①），随即进入模式选择界面；在开机状态以及任何工作模式下触摸“电源”键 即完成关机，显示屏熄灭。

2. 选择烹饪模式

在模式选择界面时，显示屏显示所有工作模式图标且第一个模式图标 闪烁，此时触摸 <、> 键可进行模式的循环选择，触摸 < 键向左选择，触摸 > 键向右选择（操作②）。例如选择了“普通蒸”模式，界面显示的烹饪模式图标中，仅有“普通蒸”图标在闪烁，此时的显示界面如下图。

注：说明书中提到的图标或文字“闪烁”，即为提醒您对该项进行设置。



3. 设置烹饪温度

触摸 > 键，就确定了烹饪模式为“普通蒸”（操作③），此时对应的默认温度值在闪烁，触摸 - 或 + 键设置需要的烹饪温度，每触摸一下相应减1或加1，长按触摸以快速的方式进行，如图所示（操作④）。例如设置烹饪温度为203°F，设置好烹饪温度后，触摸 > 键进入烹饪时间设置界面（操作⑤）。



4. 设置烹饪时间

进入烹饪时间设置界面时，显示界面上的时间数值开始闪烁，此时触摸 - 或 + 键设置所需要的烹饪时间（单位为分钟），例如设置烹饪时间为30分钟，如下图所示（操作⑥）。



5. 开始烹饪

时间设置完成后，触摸 > 键（操作⑦），此时蒸箱开始烹饪。

6. 烹饪结束

到达设置的烹饪时间后，蒸箱自动停止工作，蜂鸣器短鸣10次进行提醒后进入模式选择界面，烹饪结束。

注：由于蒸箱无制冷功能，当环境温度高于设置的烹饪温度时，蒸箱将无法按照设置的温度进行烹饪。

■ 预热


烹饪过程中，蒸箱需要一定的预热时间（预热时间根据使用环境以及设定的温度不同大约为5-10分钟），当箱体内温度达到设定的烹饪温度时蒸箱即完成预热，此时蒸箱开始烹饪并按照设定的烹饪时间进行倒计时。

四、产品显示\功能设置的说明

■ 接通电源

蒸箱接通电源后，发出一声蜂鸣声，进入时钟设置界面。接通电源2分钟内无操作，则进入数字时钟待机界面，数字时钟界面显示40秒后进入关机界面。

■ 时钟设置




在模式选择界面，触摸  键可进入时钟设置界面（操作①），此时时间数值闪烁，如下图所示：



通过触摸  键或  键设置时间数值（小时）（操作②）。

先设置小时，再设置分钟；设置好小时值后，触摸  键进入分钟值设置（操作③）。



通过触摸  键或  键设置时间数值（分钟）（操作④），时钟设置完毕后触摸  键完成时钟设置（操作⑤），此时界面返回至模式选择界面。

■ 模式选择界面

触摸“电源”键  即可开机，随即进入模式选择界面。

注：在未开机状态时，只有“电源”键  有效。

模式选择界面如下图所示，其中第一个模式图标在闪烁。



注：模式选择界面时，若2分钟内无操作，则进入关机界面。



数字时钟待机界面



关机界面

■ 烹饪工作界面



预热过程中，“时间显示”显示的时间为设定的烹饪时间，“温度显示”显示的温度为箱体内的实时温度；当箱体内实际温度达到设定温度，即完成预热，此时“时间显示”显示的时间为烹饪倒计时，“温度显示”为设定温度。

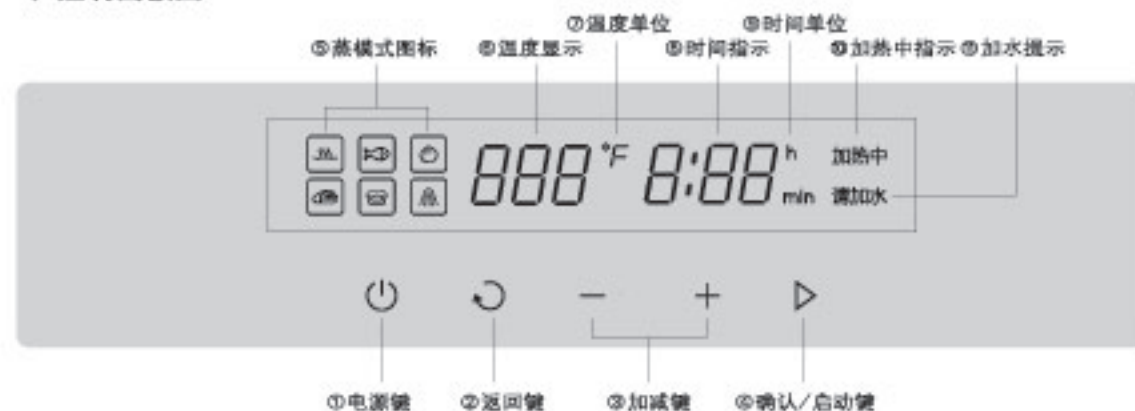
■ 其他七个功能的设置

其它七个功能的设置：蒸鱼 、蒸肉 、蒸蔬菜 、蒸面食 、发酵 、解冻  的设置与普通蒸模式一样。

由于不同食材对烹饪温度、不同时间段的火力有不同的要求，故为了达到更好的烹饪效果，建议根据菜肴的主要食材材质选择恰当的烹饪模式。

★SCD42-F1

一、控制面板图



■ 关于控制面板、按键及显示界面的说明

● 操作按键

- ① 电源键：触摸此键可开机，开机状态触摸此键可关机。
- ② 返回键：触摸此键退出现有界面、设置或功能。
- ③ 加减键：触摸加减键可设置烹饪温度、烹饪时间所需的数值。
- ④ 确认/启动键：触摸此键可以确认设置的烹饪温度、时间以及启动烹饪。

● 显示界面的图标和文字等

- ⑤ 蒸模式图标：蒸模式图标用于标识可用的蒸汽烹饪模式。蒸汽烹饪模式有6种可选模式：普通蒸、蒸鱼、蒸面食、蒸肉、发酵、除垢。
- ⑥ 温度显示：可显示您设定的温度以及箱体内部温度。
- ⑦ 温度单位：此图标显示您设置的温度单位（°F）。

- ④ 时间指示：可显示您设定的烹饪定时时间以及预约倒计时时间。
- ⑤ 时间单位：显示您正在设置的时间的单位。
- ⑥ 加热中指示：图标“加热中”常亮时，表示您的蒸箱正在烹饪工作中，工作中打开门时，此图标闪烁。
- ⑦ 加水提示：此图标闪烁时，表示需要您为您的蒸箱水箱加水，然后将水箱推入水箱卡槽中，并且推到位。

二、每一次使用前注意事项

■ 水箱注水

蒸箱工作前，首先往水箱里注入饮用淡水至“MAX”最高水位刻度线处，然后将水箱插入水箱卡槽中，并且推到位。（请使用纯净水进行烹饪，以免水垢积攒后损坏机器。）

■ 在使用蒸盘（有孔）前请在内胆中的底层插入接油盘（无孔）。

■ 功能一览表

蒸模式图标	蒸功能	默认温度(°F)	默认时间(min)	温度范围(°F)	时间范围
	普通蒸	212	20	86-212	1分钟-5小时
	蒸鱼	212	15	194-212	1分钟-5小时
	蒸面食	212	15	194-212	1分钟-5小时
	蒸肉	212	30	194-212	1分钟-5小时
	发酵	95	30	95-113	1分钟-9小时59分钟
	除垢	程序固定设置	程序固定设置	程序固定设置	程序固定设置

注：默认温度仅作参考，可根据烹饪原料的特点，选择合适的烹饪温度。例如，“蒸鱼”模式，默认温度（212°F）在烹饪腌制或肉质较老的鱼类时较为合适，而烹饪肉质相对细嫩的鱼时，应当适当降低烹饪温度以及缩短烹饪时间。

三、使用蒸箱进行烹饪

操作步骤：放置菜肴于箱体内→水箱注水→开机→选择烹饪模式→设定烹饪温度→设定烹饪时间→确认并开始烹饪→烹饪结束并关机→日常清洁

1、开机\关机

触摸“电源”键即可开机，随即进入待机界面；在开机状态下触摸“电源”键即完成关机，显示屏同时熄灭。

2、选择烹饪模式

待机界面时，通过触摸“加减”键选择所需的烹饪模式，例如选择了“普通蒸”模式，此时显示界面显示所有的烹饪模式图标，其中“普通蒸”图标闪烁，同时显示对应的默认温度，此时的显示界面如下图（操作①）。

注：说明书中提到的图标或者文字“闪烁”，即为提醒您对该项进行设置。



3、设置烹饪温度

触摸“确认/启动”键，就确定了烹饪模式为“普通蒸”（操作②），此时默认温度值在闪烁，触摸“加减”键可设置所需的烹饪温度，如下图所示（操作③），例如设置烹饪温度为212°F，设置好烹饪温度后，触摸“确认/启动”键进入时间设置界面（操作④）。



4、设置烹饪时间

进入烹饪时间设置界面时，显示界面上的时间数值开始闪烁，此时通过触摸“加减”键设置所需要的烹饪时间（单位为分钟），例如设置烹饪时间为1小时30分钟，如下图所示（操作⑤）。



5、开始烹饪

温度设置完成后，触摸“确认/启动”键（操作⑥），此时蒸箱开始进行烹饪。

6、烹饪结束

到达设置的烹饪时间后，蒸箱自动停止工作，蜂鸣器短鸣10次进行提醒后进入模式选择界面，烹饪结束。

注：由于蒸箱无制冷功能，当环境温度高于设置的烹饪温度时，蒸箱将无法按照设置的温度进行烹饪。

■ 预热

烹饪过程中，蒸箱需要一定的预热时间（预热时间根据使用环境以及设定的温度不同大约为5-10分钟），当箱体内温度达到设定的烹饪温度时蒸箱即完成预热，此时蒸箱开始烹饪并按照设定的烹饪时间进行倒计时。

高级进阶操作

★SCD42-C2T

一、除垢功能设置

由于蒸箱工作一段时间后，内胆底部加热盘可能出现水垢，为了提高其工作效率以及延长使用寿命，用户可选择 除垢程序进行除垢。

“除垢”功能的基本操作流程：

- 将一包专用水垢清除剂加入水箱中，加温水至水箱刻度线的“除垢水位”，充分搅拌直至完全溶解；
- 将水箱放入水箱卡槽中，在模式选择界面下，触摸 <、> 键选择“除垢”功能图标 除垢，触摸 ▷ 键开始除垢，除垢过程中的显示界面如下图所示：



- 除垢完成后，蒸箱自动停止工作，蜂鸣器短鸣10次后进入模式选择界面，除垢结束。除垢结束后请倒掉水箱中剩余的水并清洁蒸箱腔体和水箱。

注：除垢工作状态下，温度和定时时间不可选择，均为程序固定设置。

二、使用预约功能进行烹饪

操作步骤：水箱注水→放置菜肴于箱体内→开机→选择烹饪模式→设置烹饪温度→设置烹饪时间→设置预约烹饪时间→确认，完成预约设置→等待到达设置的预约时间后开始烹饪→烹饪进行中→烹饪结束并自动关机→清洁

以上前6个操作步骤，即到“设置烹饪时间”这一操作时，与【使用蒸箱进行烹饪】完全相同，以下从“设置预约烹饪时间”开始介绍：

1. 设置预约烹饪时间

设置好烹饪时间后，不触摸 ▷ 键，且在2分钟内触摸 ⊖ 键进入预约烹饪时间的设置（操作①），此时时间数值闪烁，如下图所示：



通过触摸 ⊖ 键或 ⊕ 键设置需要预约的时间（小时）（操作②）。

先设置小时，再设置分钟：设置好小时值后，触摸 ▷ 键进入分钟值设置（操作③）。



2. 完成预约设置

通过触摸 ⊖ 键或 ⊕ 键设置时间数值（分钟）（操作④），时间设置完毕后触摸 ▷ 键完成（操作⑤），如下图所示，此时界面显示预约开始烹饪的时间。如不触摸 ▷ 键确认，2分钟后进入时钟界面。



3. 开始烹饪

等待到达设置的预约烹饪时间后蒸箱自动开始烹饪，待蒸箱工作到达设置的烹饪温度后，显示烹饪倒计时。

4. 烹饪结束

到达设置的烹饪时间后，蒸箱自动停止工作，蜂鸣器短鸣10次进行提醒后进入模式选择界面，烹饪结束。

三、其他附加功能

功能名称	功能内容
修改烹饪温度、烹饪时间功能	在整机工作时，触摸 ⊖ 键或 ⊕ 键可重新设置烹饪温度，然后触摸 ▷ 键确认，烹饪温度设置完成后再触摸 ⊖ 键或 ⊕ 键可重新设置烹饪时间，再触摸 ▷ 键确认。
修改预约的时间功能	在预约等待时，触摸 ⊖ 键进入预约时间修改，再触摸 ⊖ 键或 ⊕ 键修改预约时间，然后触摸 ▷ 键确认。如不触摸 ▷ 键确认，则新设置的预约时间无效。整机工作过程中预约设置或修改无效。
风扇降温功能	在蒸箱定时工作结束后，风扇会再持续运转20分钟。
缺水提示功能	当水箱内的水低于最低水位后，显示屏上的“请加水”闪烁，并每隔30秒蜂鸣器提示三声。此时请取出水箱并注入常温饮用纯净水至“MAX”最高水位线处，然后将水箱推入水箱卡槽中，并且推到位（请使用纯净水进行烹饪，以免水垢积攒后损坏蒸箱）。

★SCD42-F1

一、产品显示\功能设置的说明

■ 接通电源

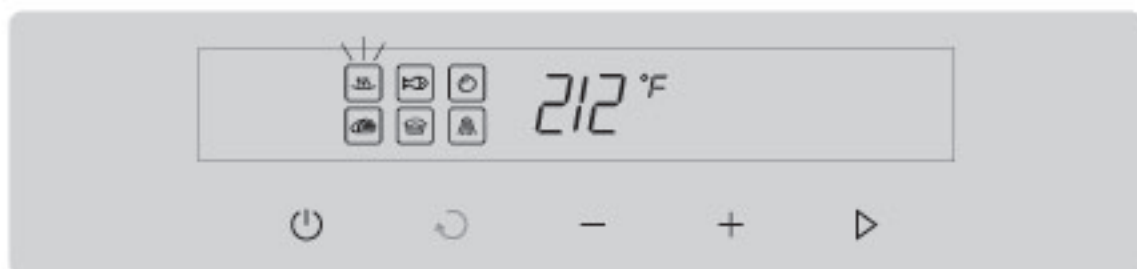
蒸箱接通电源后，显示屏全部显示后显示屏关闭，蜂鸣器蜂鸣一声后并进入关机状态。
关机状态：显示屏无任何显示。

■ 待机界面

触摸“电源”键，即可开机，随即进入待机界面。

注：在未开机状态时，只有“电源”键有效。

待机状态时，显示界面如下图所示



待机状态

注：待机界面时，若2分钟无操作，则蒸箱关机。

注：设置状态下，2分钟内无任何操作则蒸箱进入待机状态。

■ 烹饪工作界面



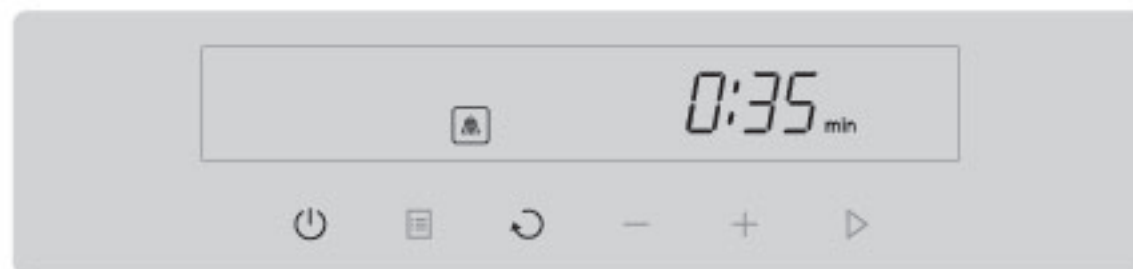
预热过程中，“时钟显示”显示的时间为设定的烹饪时间，“温度显示”显示的温度为箱体内的实时温度；当箱体内实际温度达到设定温度，即完成预热时，“时钟显示”显示的时间为烹饪倒计时，温度显示为实时温度。

■ 除垢功能设置

由于蒸箱在工作一段时间后，内胆底部发热盘可能会出现水垢，为了提高其工作效率以及延长使用寿命，用户可选择“除垢”程序进行除垢。

除垢功能的基本操作流程：

- 将适量的专用水垢清除剂加入水箱中，加温水至水箱刻度线的“除垢水位”，直到水垢清除剂充分溶解。
- 将水箱放入水箱卡槽中，在模式选择界面下，触摸“加减”键选中“除垢”功能图标“鱼”，触摸“确认/启动”键开始除垢，除垢过程中的显示界面如下图所示。



- 除垢完成后，蒸箱自动停止工作，蜂鸣器短鸣10次后进入模式选择界面，除垢结束。除垢结束后请倒掉水箱中剩余的水并清洁蒸箱腔体和水箱。

注：除垢工作状态下，温度和定时时间不可选择，为默认的设置。

二、其他附加功能

功能名称	功能内容
修改烹饪温度、烹饪时间功能	在整机工作时，可触摸“加减”键来重新设置烹饪温度，然后触摸“确认/启动”键确认。烹饪温度设置完成后再触摸“加减”键可重新设置烹饪时间，再触摸“确认/启动”键确认。
风扇降温功能	在蒸箱定时工作结束后，风扇会再持续运转20分钟。
缺水提示功能	当水箱内的水低于最低水位后，显示屏上的“请加水”闪烁，并每隔30秒蜂鸣器提示三声。此时取出水箱并注入常温饮用纯净水至“MAX”最高水位线处，然后将水箱推入水箱卡槽中，并且推到位（请用纯净水进行烹饪，以免水垢积攒后损坏蒸箱）。

装箱清单

请您开箱后逐一检查以下产品和附件是否齐全。

- 属于本公司或销售商责任的，请与销售商联系处理。
- 属用户自行责任的，请致电附近的售后服务中心。

■ 整机	1台	■ 水箱密封圈	2个
■ 使用说明书	1份	■ 木螺钉	2枚
■ 接油盘	1个	■ 蒸盘	1个

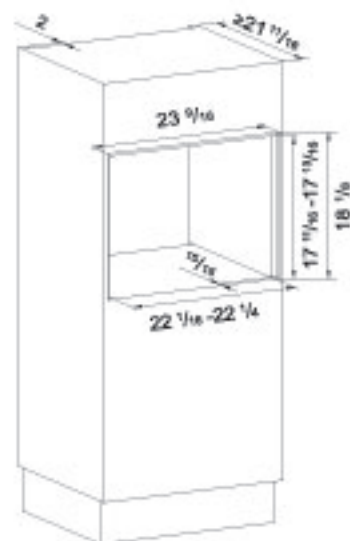
安装方法

- 电蒸箱应平稳安装在操作、保养方便且牢固的地方，不得倾斜安装。
- 严禁将电蒸箱及电源插座安装在可能受潮或容易被水淋湿的地方。
- 搬运放置时应从拉手孔或底部抬起，轻搬轻放，切不可通过拖拉门体或把手来移动电蒸箱。
- 本电蒸箱是嵌入在橱柜内的，橱柜孔的底板必须能承受132.3lbs以上的重量。

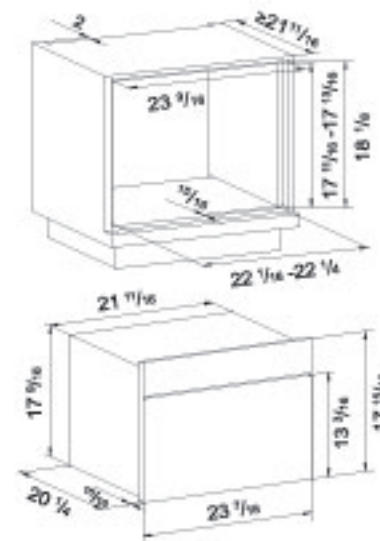
注意：1. 安装蒸箱的橱柜材料(木材和粘合剂)必须耐温212°F以上。

2. 为保持通风，请保持后有大于1¹³/₁₆英寸的空隙。
3. 安装时必须在蒸箱前留有3¹/₂英寸以上的空间。
4. 用附件袋内的木螺钉将蒸箱固定在橱柜上(见打螺钉示意图)。
5. 本机需单独使用10A插座，且确定插座接触良好，请勿与其他电器共用。
6. 安装后，蒸箱面板左右边及上边应与周边墙壁、橱柜、器具等保持¹/₈英寸以上间隙，蒸箱面板下边应与周边墙壁、橱柜、器具等保持⁷/₁₆英寸以上间隙。
7. 蒸箱在出厂前会进行全检老化测试，因此在内部管路中会有少量的余水残留，在内胆和水箱中有少量水珠是正常现象。

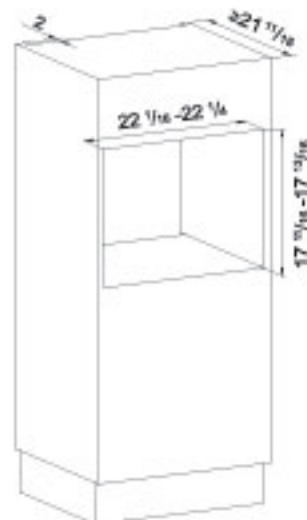
去除蒸箱的外包装和薄膜袋，将蒸箱放置在离安装孔较近的地方。电源线一端插入蒸箱中背部电源线插座，另外一端接上电源插座(不带电)，一手提在蒸箱的挖手处，一手托住底部，将蒸箱慢慢地放在橱柜孔内。一手放开，轻轻地将蒸箱推至尽头。将蒸箱的前端搁在橱柜底板上。用附件袋内的木螺钉将蒸箱固定在橱柜上(见打螺钉示意图)。



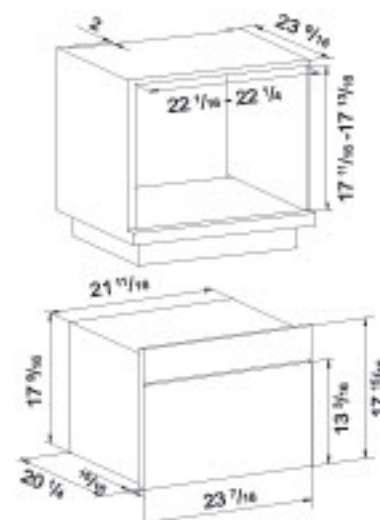
全嵌安装示意图



标注单位：英寸 (inch)

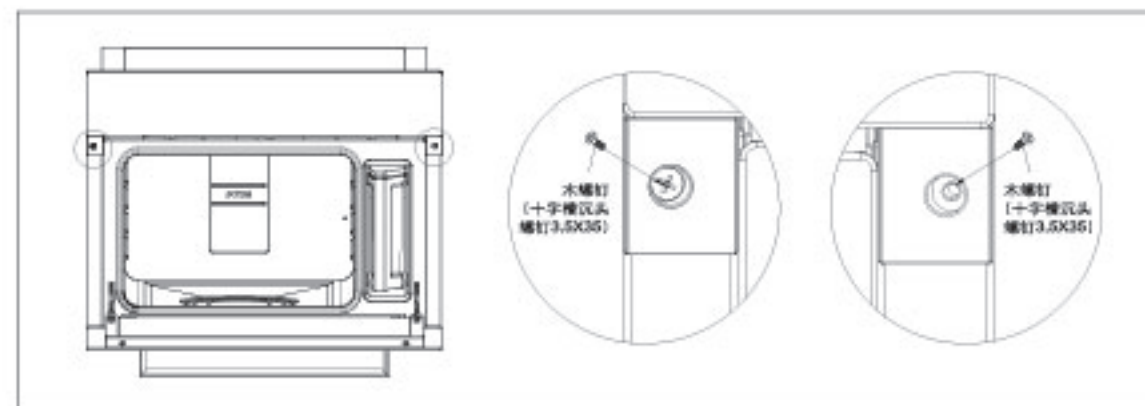


半嵌安装示意图



标注单位：英寸 (inch)

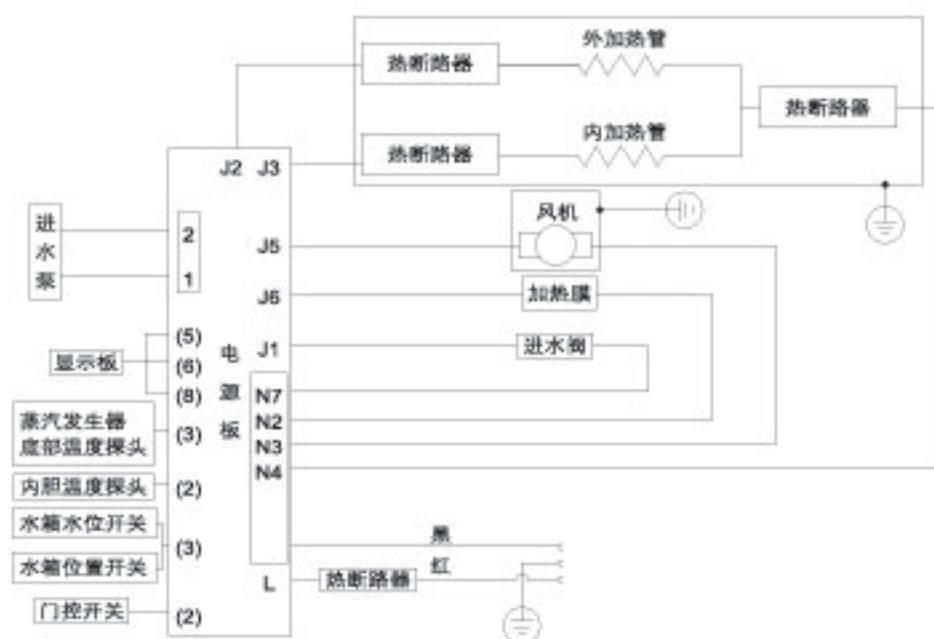
打螺钉示意图



主要技术参数

机型	SCD42-C2T/ SCD42- F1		
额定电压	240V	净重	53.6 lbs
额定功率	2400W	加热方式	蒸汽加热
额定频率	60Hz	控制方式	触摸
额定容量	1.48Cu.Ft.		

电气接线图



清洁保养建议

一般注意事项

每次使用后，需清洁内胆和冷凝水槽，清洁时待内胆冷却后才能进行。关上蒸箱门前，确保内胆已完全干透。

警告：切勿使用蒸汽清洁器清洁本机，加压蒸汽会对表面和配件造成永久损害，对此本公司概不负责。切勿使用含碱/苏打、酸或氯的清洁剂，亦不要使用清洁喷雾、洗碗碟机清洁剂或腐蚀性清洁剂、硬刷、百洁布及钢丝刷等。沾有腐蚀性清洁剂的海绵亦不要使用，以免刮花表面。

封边/蒸箱门封边

每次使用后，请清洁及抹干蒸箱门封边。请使用布海绵，再加上热水，不要使用清洁剂。蒸箱门封边可能会因日久而穿孔或裂开。如出现此情形，请更换新的封边。

警告：不要使用含表面活性剂的清洁剂。请确定没有清洁剂粘在蒸箱门封边。

蒸箱面板和外壳

蒸箱的面板、蒸箱门体及外壳可以用热水加少量的清洁液进行清洁，用布拭抹，清洁后用软布抹干。面板丝印区域容易划花和受酸性物质侵蚀，因此请按上述要求小心清洁。尽量不要使用不锈钢清洁剂和除垢剂。如使用，则应尽快抹除污渍，避免残留污渍损害您的蒸箱表面。

不锈钢面板及/或外壳：

建议使用不磨损清洁剂及护理剂，请沿着“钢纹”方向拭抹，力度要均匀。

蒸盘、接油盘及烹饪容器

每次使用蒸盘、接油盘及烹饪容器后，都要洗净和抹干。

注意：以上附件可放入洗碗碟机清洗。

蒸箱内壁

每次使用后，请清洁蒸箱内部。使用海绵或吸湿力强的软布抹去内胆内壁的凝结物。

大部分烹调残留物都可用布及温和清洁剂加热水清洁。在水质较差的地区，蒸箱内壁可能会有一层白色的沉积物，可用湿布和少量醋抹掉。用清水抹净内壁并抹干，同时清洁及抹干蒸箱顶部、凝结凹槽、箱门内壁及放置水箱的水箱卡槽。

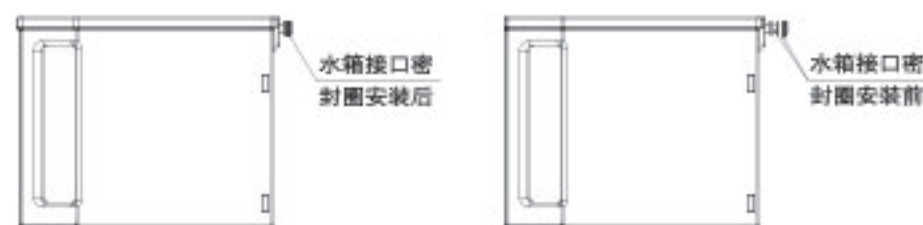
建议：1. 同时清洁及抹干蒸箱顶部、内胆底部发热盘、箱门内壁及放置水箱的水箱卡槽。

2. 每次使用后，请将水箱中的水倒净并擦干水箱。

水箱

每次使用后请将水箱中的水倒出并晾干。

水箱接口密封圈为易损件，多次使用后，可能会出现磨损严重及破损情况，若出现此类情况进而影响水箱与水箱支座之间的密封效果时，可自行更换水箱接口密封圈(随整机赠送2个)，注意更换后检查安装是否到位。



内胆底部发热盘

每次使用后请将内胆底部发热盘中的水抹干。

蒸箱工作一段时间后，内胆底部发热盘难免会产生污垢，为了提高其工作效率及延长使用寿命，请使用食品级除垢剂进行除垢，具体操作详见“除垢功能设置”。

警告：因蒸箱使用后内胆底部发热盘会有较高温度，清洁工作要等内胆底部发热盘温度降低到合适温度再进行。

注意：为保持卫生，每次使用蒸箱后，请将水箱、内胆内壁及内胆底部发热盘中的水抹干，避免积聚凝结物；请勿使用百洁布及钢丝刷等清洁。

常见问题处理

一、关于水箱

1. 水箱外侧上方印有最高水位刻度标识。向水箱注水时，请尽量将水注入到最高水位刻度线附近。这样能最大程度延长一次注水的连续烹饪时间；注水时请勿超过最高水位刻度线，避免插拔水箱时水箱中的水溢出。
2. 为了缩短蒸汽产生的时间，可以使用176°F以下的水，在冲倒时请注意防止热水溅落。
3. 将注完水的水箱推入蒸箱内，机器才能工作。如果水箱没有完全推入蒸箱内，蒸箱不会加热，同时会闪烁“请加水”图标。
4. 如显示屏“请加水”图标闪烁并有蜂鸣提示音，即表明水箱内的水低于最低水位线，蒸箱停止工作，此时请及时加水，然后将水箱推入水箱卡槽中，并且推到位。

二、关于烹饪时间和烹饪效果

1. 预热时间较长。检查门体有无关严或有明显漏气，若门体未关严，请将门体关严。此时若仍有明显漏气，请致电方太全国服务热线；检查箱体温度传感器上是否有污垢，若有污垢，请及时清理干净。
2. 烹饪时间过长。首先应避免在烹饪过程中频繁打开蒸箱门，减少烹饪过程中的热量损失；检查门体有无关严或漏气，若门体未关严，请将门体关严。此时若仍有明显漏气，请致电方太全国服务热线。
3. 箱体内冷凝水较多。检查是否每次烹饪完能及时清洁并将箱体内的水清理干净。
4. 烹饪结束后餐盘中的冷凝水较多。烹饪前可以用保鲜膜将菜肴进行覆盖，或者蒸箱可提前预热，待预热快结束前将菜肴放入箱体内。

三、烹饪容器的选择

本蒸箱随机附有不锈钢烹调容器，用户也可自购其他配件。选择合适的烹调容器时应注意：尽可能使用多孔式烹调容器，因为蒸汽可以通过小孔更多地接触到食物，使食物烹调更平均，加热速度更快；烹调例如豆制品、豌豆、荀嫩芽等食物时，由于食物小，盛放比较致密，食物之间的空间比较小或没有空间，蒸汽不能全面发挥作用，烹饪时间会比较长，故在烹调时，应尽可能使用扁身容器盛放食物，让蒸汽有更多的空间渗透；食物盛放1³/₁₆-2英寸高比较合适，过多地放入食物会加长烹调时间甚至影响食物口感。蒸箱设计可烹调6至8人份量，注意不要放入过量的食物。

耐热玻璃、陶瓷玻璃、瓷器、不锈钢及搪瓷器皿均可使用。

注意：如使用塑胶烹调容器，请确保容器可耐受212°F高温及蒸汽。
如使用厚身容器，烹调时间会较长。
请将烹调容器放在耐热的蒸盘上。
容器的边缘顶部，与烹调格顶部最少要距离1³/₁₆英寸，让足够的蒸汽进入容器内。

四、常见故障识别与处理

为了您的安全，请先按电源键关闭蒸箱，再进行相应的故障处理。

故障现象	原因分析	解决办法
E2	内胆底部发热盘温度传感器短路或断路	切断机器电源，重新上电运行。如故障仍未解决，请致电方太售后服务中心。
F3	内胆温度传感器断路	
F4	内胆温度传感器短路	
插上电源线插头后，机器无反应。	原因1：电源线与机器的连接脱离。	拔掉蒸箱电源线插头，将电源线另一端与机器连接后再上电。
	原因2：控制板连接线未连接。	请致电方太售后服务中心，安排维修。
	原因3：提供机器电源插座没电。	联系有资质电工检测维修。
机器能操作，但不产生蒸汽	原因1：内胆底部发热盘断路。	拔掉蒸箱电源线插头，请致电方太售后服务中心，安排维修。
	原因2：保险丝断。	
	原因3：电源板控制内胆底部发热盘工作的继电器坏。	
	原因4：内胆温度传感器坏。	
	原因5：电源板上的插片插错。	
	原因6：门未关紧或门开关坏。	
机器漏水	原因1：冷凝水槽中的水道出。	用布吸去。
	原因2：内胆底部发热盘密封不严。	拔掉蒸箱电源线插头，请致电方太售后服务中心，安排维修。
	原因3：内胆密封不严。	
	原因4：水箱漏水。	
	原因5：进水管或排气管破。	
	原因6：内胆温度传感器密封不严。	
	原因7：水箱未推到位，水箱密封圈变形。	
能产生蒸汽但食物蒸不熟	原因1：内胆温度传感器坏。	
	原因2：电源板上的插片插错。	
	原因3：进水管破或管子变形。	
	原因4：内胆底部发热盘故障。	
食物能煮熟，但显示乱码或显示温度上升缓慢	原因1：内胆温度传感器脱落。	拔掉蒸箱电源线插头，请致电方太售后服务中心，安排维修。
	原因2：内胆温度传感器坏。	

警告：当上述简易故障排除后，蒸箱仍不能正常工作，请致电方太售后服务中心。为保障安全和正确使用，本产品必须由本公司指派的专业人员进行维修。如因消费者委托非本公司指派的人员或消费者自行维修，而导致产品不能正常使用的，即使在保修期内，也不属于免费维修范围，由此而造成的财产损失、人身损害本公司亦不承担任何责任。

FOTILE 方太

Notice d'utilisation

Conservez avec soin ce manuel pour vous y référer ultérieurement.

Avant d'utiliser cet appareil, lisez soigneusement ce mode d'emploi.

Four vapeur
électrique encastrable

SCD42-C2T/SCD42-F1

Chers utilisateurs, Bonjour ! Merci d'avoir choisi les produits de la série FOTILE soigneusement fabriqués par la société FOTILE. Veuillez lire attentivement cette notice avant utilisation. Vous apprendrez les spécifications de fonctionnement correctes et profiterez du nouveau plaisir de cuisine.

La promesse de FOTILE est de « rendre la maison plus agréable ». Nous avons la responsabilité de vous satisfaire avec les nouveaux produits FOTILE. Veuillez lire attentivement la notice d'utilisation avant utilisation et suivre les instructions. Les instructions d'opération de cette notice sont très importantes pour maintenir le bon état de fonctionnement du produit. En cas de dysfonctionnement du produit en raison d'une mauvaise utilisation, vous perdrez le droit à la garantie gratuite. Dans ce cas, toute demande de garantie gratuite directe ou indirecte ne sera pas acceptée par notre centre de service après-vente. Dans le même temps, nous vous recommandons d'appeler le centre de service après-vente FOTILE pendant la période de garantie de qualité et lors d'un besoin de réparation après la période de garantie, ce qui est très important pour vous et nous. S'il n'y a pas de bon service, vous n'achetez que la moitié du produit. Le but d'un meilleur service star FOTILE est de « s'efforcer pour satisfaire complètement les clients ». Notre centre de service après-vente vous fournira des composants authentiques et un support technique professionnel de NINGBO FOTILE KITCHEN WARE CO.,LTD., afin que votre produit puisse être soumis à une garantie de maintenance rapide et de haute qualité, tout en vous permettant d'obtenir un service détendu et soigné.

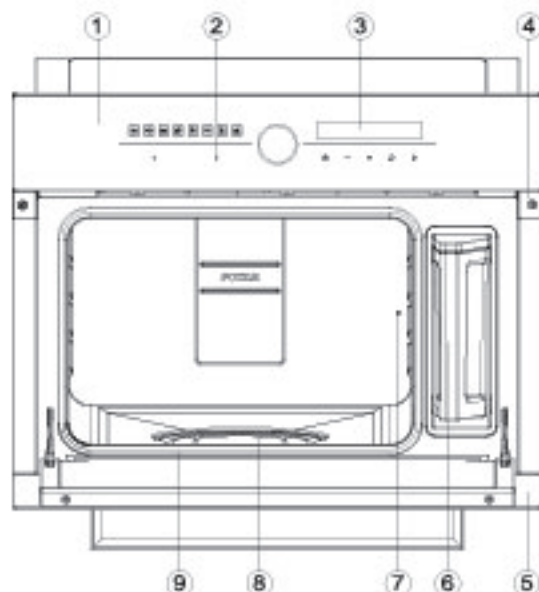
Sommaire

Sommaire	1
Introduction de la structure du produit	2
Précautions de sécurité	3
Guide d'utilisation rapide	9
Opérations avancées	17
Liste d'emballage	22
Méthode d'installation	22
Principaux paramètres techniques	24
Schéma de câblage électrique	24
Recommandations de nettoyage et d'entretien	25
Résolution des problèmes courants	27

Introduction de la structure du produit

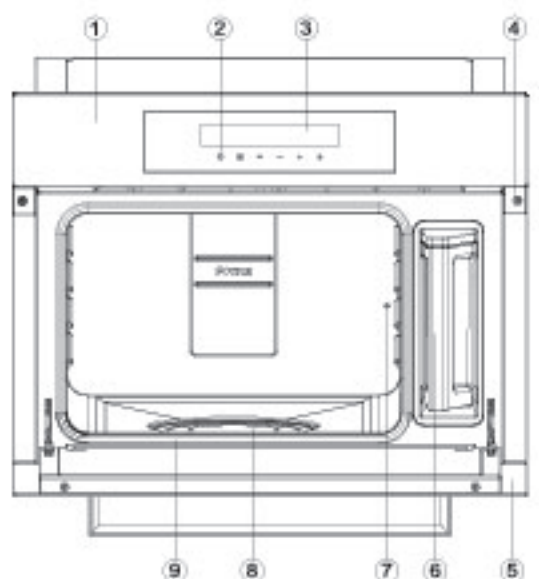
Légende

★SCD42-C2T



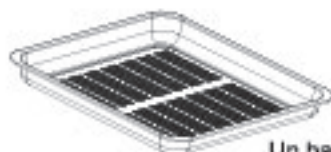
- ① Bandeau de commande
- ② Touche tactile
- ③ Écran d'affichage
- ④ Colonne de montage pour machine entière
- ⑤ Porte du four vapeur
- ⑥ Réservoir d'eau
- ⑦ Capteur de température du récipient intérieur
- ⑧ Plaque chauffante au bas du récipient intérieur
- ⑨ Joint de porte en caoutchouc

★SCD42-F1



- ① Bandeau de commande
- ② Touche tactile
- ③ Écran d'affichage
- ④ Colonne de montage pour machine entière
- ⑤ Porte du four vapeur
- ⑥ Réservoir d'eau
- ⑦ Capteur de température du récipient intérieur
- ⑧ Plaque chauffante au bas du récipient intérieur
- ⑨ Joint de porte en caoutchouc

Accessoires d'accompagnement



Un bac vapeur avec un design poreux:



Une lèche-frite:

Précautions de sécurité

Afin d'éviter tout danger et dommage matériel aux utilisateurs et autres personnes, les distinctions et signes suivants sont effectués.

Les points suivants sont importants concernant la sécurité. Veuillez les respecter strictement et les utiliser correctement sur la base d'une compréhension complète du contenu.

■ Différenciation du contenu en fonction du degré de danger et de dommage

	Danger	Si ce signe est ignoré et qu'une opération incorrecte est effectuée, cela peut probablement entraîner un danger personnel, des blessures graves ou un incendie.
	Avertissement	Si ce signe est ignoré et qu'une opération incorrecte est effectuée, cela peut entraîner un danger personnel, des blessures graves ou un incendie.
	Attention	Si ce signe est ignoré et qu'une opération incorrecte est effectuée, cela peut entraîner une blessure personnelle ou un dommage matériel.
	Recommandation	Il est recommandé de comprendre le contenu en vue d'une utilisation correcte et en toute sécurité.

■ Symboles d'avertissement et de contenu interdit



Avertissement : la qualité du verre trempé sur nos produits a été contrôlée, mais le mécanisme de trempage du verre détermine qu'il y a une très faible probabilité que le verre trempé explose.

• **Instructions spéciales**: veuillez utiliser le produit en stricte conformité avec les dispositions de cette notice. La société ne sera pas responsable de toute perte de propriété ou dommage personnel causé par une mauvaise utilisation de ce produit.

Danger	
	Veuillez ne pas utiliser de prises de courant desserrées ou mal connectées. Sinon, cela pourrait provoquer un choc électrique, un court-circuit et un incendie.
	En cas de dysfonctionnement du four vapeur, coupez immédiatement le courant et arrêtez l'utilisation, et traitez-le conformément à « l'identification et traitement des défauts communs ».
	Si le câble d'alimentation est endommagé, afin d'éviter tout danger, il doit être remplacé par un professionnel du fabricant, de son service de maintenance ou d'un service similaire.
	Une fois le travail terminé, veuillez ouvrir la porte du four vapeur après 30 à 60 secondes. Lorsque la porte est ouverte, de la vapeur sortira. Les gens devraient se tenir un peu à l'écart de la porte du four vapeur pour éviter les brûlures de vapeur.

Danger



Les prises de courant doivent avoir un fil de terre fiable pour assurer la sécurité. Ne connectez pas le fil de terre au tuyau de gaz, au tuyau d'eau courante, au paratonnerre et à la ligne téléphonique. Une mauvaise mise à la terre peut provoquer un choc électrique ou d'autres accidents.



Veillez ne pas laisser les enfants et les personnes à mobilité réduite l'utiliser seuls, et encore moins le mettre à la portée des jeunes enfants, sinon cela pourrait provoquer des brûlures, des chocs électriques et d'autres blessures accidentelles.



Les non-professionnels ne sont pas autorisés à démonter et réparer ou remplacer des pièces sans autorisation.



Ce produit est uniquement destiné à un usage domestique quotidien, veuillez ne pas l'utiliser à des fins commerciales ou dans d'autres environnements spéciaux.



Veillez utiliser de l'eau pure pour la cuisson afin d'éviter d'endommager la machine après l'accumulation du tartre.



Une fois le travail terminé, le fond du récipient intérieur a encore une température élevée. Ne pas nettoyer le récipient intérieur immédiatement pour éviter les brûlures. Vous devez attendre que le récipient intérieur refroidisse avant de le nettoyer.

Avertissement



Le four vapeur électrique génère de la chaleur pendant l'utilisation, faites attention à éviter tout contact avec les éléments chauffants dans le four vapeur.



Le courant doit être coupé lors du nettoyage, faites attention à l'utilisation d'un produit de nettoyage neutre. En même temps, faites attention à frotter avec un chiffon doux pour éviter de rayer la surface.



La machine entière est loin des produits inflammables tels que source de chaleur, gaz et alcool.



Veillez ne pas toucher le four vapeur avec les mains mouillées et les pieds nus.



Veillez ne pas mettre d'objets lourds sur la porte ouverte du four vapeur.



N'utilisez pas de prises multifonctions avec plusieurs fiches.



Lorsque vous retirez la fiche de la prise, vous devez tenir l'extrémité de la fiche pour la retirer. Ne pas tenir le câble d'alimentation pour tirer la fiche. Sinon, des dangers tels que choc électrique, court-circuit et incendie peuvent facilement se produire.



N'utilisez pas de nettoyeurs abrasifs ou de grattoirs métalliques tranchants pour nettoyer la vitre de la porte du four vapeur. Parce qu'ils rayeront la surface du verre, provoquant sa rupture.



Les pièces accessibles peuvent devenir chaudes pendant l'utilisation, les enfants doivent rester à l'écart.

Attention

- Ce produit est uniquement utilisé pour la cuisine maison, il sera dangereux s'il est utilisé à d'autres fins. La société n'assume aucune responsabilité pour tout dommage personnel et matériel causé par une utilisation non conforme aux exigences de cette notice.
- Nettoyez le produit avant la première utilisation. Retirez d'abord le réservoir d'eau et rincez l'intérieur du réservoir avec de l'eau chaude. N'utilisez aucune solution de nettoyage ou de détergent ; les supports latéraux du récipient intérieur et les accessoires d'accompagnement peuvent également être retirés et rincés (veuillez-vous référer à la section [Entretien et nettoyage]) ; il est recommandé d'utiliser une solution de nettoyage diluée avec de l'eau chaude pour nettoyer la paroi intérieure du récipient intérieur du four vapeur.
- Pour maintenir l'hygiène, veuillez vidanger l'excédent d'eau du réservoir d'eau après chaque utilisation pour éviter l'accumulation de condensat dans la machine.
- Après chaque utilisation, utilisez un chiffon doux pour sécher le réservoir de condensation.
- Ouvrez la porte du four vapeur et laissez l'humidité dans le four se dissiper jusqu'à ce qu'il soit complètement sec.
- Si vous n'utilisez pas la machine pendant une période de temps (comme des vacances), vous devez nettoyer la machine à fond avant d'ouvrir la porte du four vapeur pour éviter les odeurs.
- Lorsque vous ajoutez de l'eau dans le réservoir d'eau à chaque fois, utilisez un chiffon pour essuyer l'eau accumulée au bas de la fente du réservoir d'eau.
- Lorsque le four vapeur n'est pas utilisé, assurez-vous qu'il est fermé.
- Lorsque le four vapeur a des fonctions anormales, veuillez débrancher l'alimentation et le rallumer, s'il y a toujours des problèmes, veuillez effectuer le traitement suivant « l'identification et traitement des défauts communs ».
- Pour améliorer la protection, il est recommandé de porter des gants résistants à la chaleur lors de la manipulation d'ustensiles chauds. Évitez l'eau mouillée dans les gants, sinon la chaleur traversera rapidement les gants et provoquera des brûlures.

Note importante

- Installation correcte - Veillez à ce que votre appareil soit installé et mis à la masse convenablement par un technicien compétent.
- Ne jamais utiliser votre appareil pour réchauffer ou chauffer la chambre.
- Ne laissez pas les enfants seuls. Les enfants ne doivent pas être laissés seuls ou sans surveillance à proximité de l'endroit où l'appareil est utilisé. Ne les laissez jamais se tenir ou s'asseoir sur une quelconque partie de l'appareil.
- Portez des vêtements appropriés - amples ou des vêtements suspendus ne doivent jamais être portés pendant l'utilisation de l'appareil.

Note importante

- Entretien par l'utilisateur : ne réparez ou remplacez aucune pièce de cet appareil, à moins que ce ne soit spécifiquement recommandé dans le manuel. Tous les autres travaux doivent être confiés à un technicien qualifié.
- Stockage dans ou sur l'appareil - Les matériaux inflammables ne doivent pas être stockés dans un four ou près des unités de surface.
- Ne versez pas d'eau sur les feux de graisse. étouffez le feu ou la flamme avec à l'aide d'un extincteur à poudre chimique sec ou à mousse.
- Utilisez uniquement des maniques sèches. L'utilisation de maniques humides ou mouillées sur des surfaces chaudes peut entraîner des brûlures par la vapeur. Ne laissez pas manique toucher des surfaces chauffantes. N'utilisez pas de serviette ou autre chiffon encombrant.
- Soyez prudent lors de l'ouverture de la porte de l'appareil. Laissez d'abord l'air chaud ou la vapeur s'échapper avant de retirer ou de placer des aliments
- Ne faites pas chauffer des contenants d'aliments non ouverts. L'accumulation de pression dans les contenants pourrait causer une explosion et provoquer des blessures.
- Gardez les conduits de ventilation du four dégagés.
- Mise en place des grilles du four : positionnez toujours les grilles à l'emplacement souhaité pendant que le four est froid. Si une grille doit être déplacée pendant que le four est chaud, ne laissez pas les gants de cuisine entrer en contact avec l'élément chauffant brûlant.

Sécurité d'installation et de maintenance

- Avant d'utiliser cette machine pour la première fois, veuillez lire les instructions importantes dans cette notice d'utilisation concernant l'utilisation, l'opération et l'entretien en toute sécurité de cette machine afin d'éviter les accidents et les dommages.
- Avant d'installer le four vapeur, assurez-vous que la tension et la fréquence de l'alimentation domestique sont compatibles avec cet appareil.
- Assurez-vous que votre four vapeur est complété par un personnel de service d'installation professionnel, et que l'installation est sûre, fiable et bien mise à la terre. Pour assurer la sécurité électrique du four vapeur, vous devez vous assurer que la mise à la terre de la machine et du réseau domestique sont correctement connectés et fiables. Il s'agit d'une exigence de sécurité de base. En cas de problème sur le réseau domestique et de dommages qui en résultent, le fabricant de ce produit n'en assume pas la responsabilité.
- L'installation et la réparation doivent être effectuées par le personnel de service professionnel FOTILE. Ne pas installer ou réparer la machine sans autorisation.

Sécurité d'installation et de maintenance

- Pour assurer la sécurité et une utilisation correcte, ce produit doit être installé et réparé par des professionnels désignés par notre société. Si le produit ne peut plus fonctionner normalement en raison de l'installation et de la réparation par une personne chargée par le consommateur mais non désignée par notre société ou par le consommateur lui-même, même s'il est dans la période de garantie, il n'est pas couvert par la réparation gratuite.
- N'utilisez pas de prise de courant de longue distance pour connecter ce produit, car le câble est trop long, la machine est susceptible de provoquer une surchauffe du fil pendant le travail, provoquant un incendie ou un accident de fuite.
- Il est interdit d'ouvrir le boîtier de ce produit sans autorisation. Il est dangereux de toucher les fils de connexion, les pièces électriques ou les pièces structurelles, ce qui peut provoquer un choc électrique ou un traumatisme mécanique.
- Une fois le four vapeur installé, si la fiche d'alimentation ne peut pas être touchée, cela doit être complété par un interrupteur de câblage fixe conforme aux réglementations de câblage, pour que lors de la maintenance ou des urgences, l'alimentation soit coupée par cet interrupteur.

Sécurité d'utilisation

- Veuillez-vous assurer que ce produit est installé de manière fiable et correcte dans le placard avant utilisation.
- Ce produit est limité à la cuisine familiale et ne peut pas être utilisé à des fins commerciales. Toute autre application présente également un risque pour la sécurité et peut entraîner des blessures.
- N'immergez pas la fiche d'alimentation, le câble, etc. dans l'eau pour éviter tout risque de choc électrique lors de l'utilisation de la prochaine fois.
- Pour des raisons d'hygiène, veuillez purger l'eau du réservoir d'eau et l'essuyer après chaque utilisation pour éviter la formation de tartre.
- Après utilisation et refroidissement, séchez le récipient intérieur, l'intérieur de la porte et le réservoir de condensation avec un chiffon propre.
- Si vous avez l'intention de cesser de l'utiliser pendant une longue période, vous devez nettoyer soigneusement le four vapeur pour éviter les odeurs. Voir la section [Entretien et nettoyage] pour plus de détails.

Pour la sécurité des enfants

- Pendant l'utilisation, il y a de la vapeur qui déborde par la sortie d'air, même après l'arrêt de l'utilisation, l'intérieur et l'extérieur de la porte seront un peu chauds, veuillez donc garder votre enfant à une distance de sécurité de ce produit et soyez avisé.
- Lors du fonctionnement du four vapeur, il est nécessaire de prendre soin des enfants à proximité du produit.
- Ne laissez pas votre enfant s'appuyer sur ou s'accrocher à la porte du four vapeur.

Pour la sécurité des enfants

- Pour réduire le risque de nuire à votre enfant, ne laissez pas votre enfant utiliser le four vapeur comme accessoire de jeu et ne laissez pas votre enfant jouer près du four vapeur.
- Assurez-vous que le sac en plastique est maintenu hors de portée de votre enfant pour éviter qu'il ne suffoque pendant qu'il joue.

Sécurité du produit

- Ne chauffez pas les aliments dans des récipients fermés. Le chauffage augmentera la pression dans le récipient, peut provoquer une explosion et endommager la machine, et le corps humain sera également blessé.
- Après chaque utilisation, veuillez nettoyer et sécher la machine à temps, car le concentré condensé peut provoquer une corrosion de la machine pendant une longue période.
- N'utilisez pas d'objets qui rouillent le four vapeur, car cela pourrait l'endommager.
- Lorsque vous enlevez des rouilles, essayez d'utiliser un produit antirouille à base d'acide citrique, car l'utilisation d'autres produits antirouille pourrait endommager votre four vapeur.
- N'utilisez pas de nettoyeur vapeur pour nettoyer votre four vapeur, car la vapeur pénétrera dans les composants électroniques, provoquera un court-circuit et empêchera la machine de fonctionner correctement, voire conduira à un choc électrique.
- Si une situation anormale se produit, veuillez couper l'alimentation du four vapeur et contacter immédiatement le service après-vente FOTILE pour le gérer. Veuillez rester loin de la machine et ne pas l'approcher avant le traitement.
- La maintenance, l'installation et les autres travaux connexes doivent être effectués par le personnel de service professionnel FOTILE.

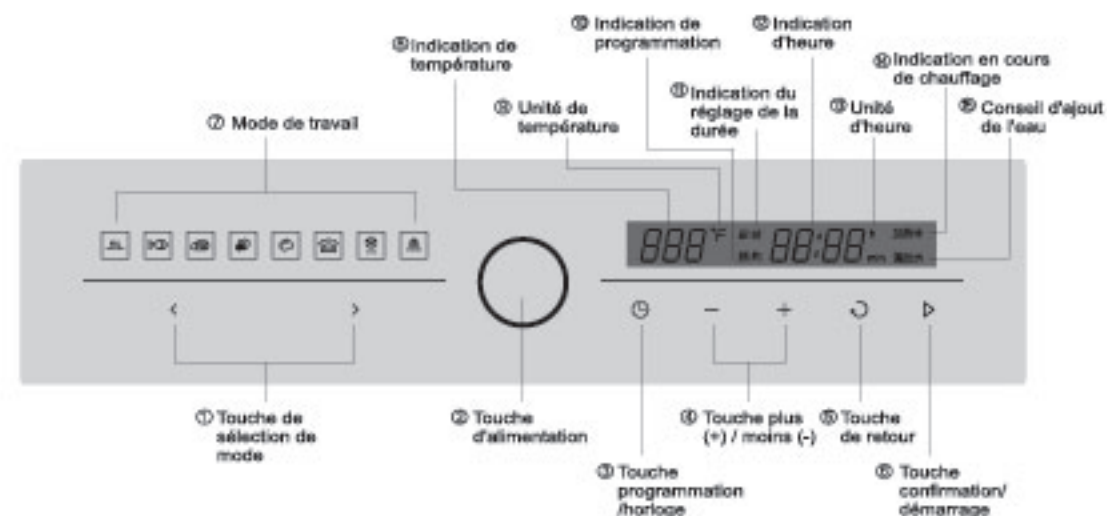
Sécurité du personnel

- Le four vapeur doit être installé à une hauteur sûre et appropriée, pour faciliter le dépôt et le retrait des aliments en ouvrant et fermant la porte, sinon la vapeur qui déborde peut vous brûler ; de plus, une hauteur d'installation appropriée réduira le risque de brûlure des mains de votre enfant sur la porte.
- Lors de l'ouverture de la porte, faites attention aux charnières, bords et coins du corps de la porte, ne le touchez pas pour éviter un traumatisme mécanique.
- Lorsque vous observez ou ramassez des aliments, ouvrez légèrement la porte pour permettre à une grande quantité de vapeur de déborder, puis ouvrez la porte pour éviter tout contact direct avec la vapeur des mains ou des parties du corps, afin d'éviter les brûlures.
- Lors de l'ouverture de la porte, veuillez faire attention aux éclaboussures d'eau à partir du réservoir de condensation
- Lors de la cuisson des aliments, faites attention aux opérations, veillez à ne pas incliner le récipient pour permettre au liquide de s'écouler ou aux aliments de s'écouler.
- Lorsque vous sortez le récipient chaud, veuillez l'envelopper avec un chiffon épais et le retirer pour éviter de vous brûler les mains.
- Lorsque vous jetez ou déplacez votre four vapeur, veuillez d'abord le débrancher.

Guide d'utilisation rapide

★ SCD42-C2T

I. Schéma du bandeau de commande



■ À propos du bandeau de commande, des touches et de l'interface d'affichage

● Touches d'opérations

- ① Touche de sélection de mode : appuyez sur cette touche pour sélectionner le mode de travail de manière cyclique.
- ② Touche d'alimentation : appuyez sur cette touche pour allumer la machine, appuyez sur cette touche pour éteindre la machine lorsqu'elle est allumée.
- ③ Touche programmation/horloge : appuyez sur cette touche pour régler l'horloge et programmer l'heure de début de cuisson. (Voir les chapitres : réglage de l'horloge et cuisson avec la fonction de programmation)
- ④ Touche plus (+) / moins (-) : appuyez sur la touche plus (+) / moins (-) pour définir la valeur requise de la température de cuisson, de la durée de cuisson ou de l'heure de l'horloge.
- ⑤ Touche de retour : pendant le processus de réglage, appuyez sur cette touche pour revenir à l'interface de réglage précédente ; pendant le fonctionnement, appuyez sur cette touche pour revenir à l'interface de sélection de mode.
- ⑥ Touche confirmation/démarrage : appuyez sur cette touche pour confirmer le temps et la température de cuisson réglés et démarrer la cuisson.

● Symboles et textes de l'interface d'affichage

- ⑦ Mode de travail : le symbole du mode de travail est utilisé pour identifier les modes de travail à la vapeur disponibles. Il existe 8 modes de travail sélectionnables : cuisson à la vapeur générale, cuisson à la vapeur du poisson, cuisson à la vapeur de la viande, cuisson à la vapeur des légumes, cuisson à la vapeur des pâtes, fermentation, décongélation et détartrage.
- ⑧ Indication de température : cela peut afficher la température que vous avez définie et la température en temps réel à l'intérieur du four.

- ① Unité de température : ce symbole indique l'unité de température que vous avez définie (TF).
- ② Indication de programmation : ce symbole indique que vous avez sélectionné le mode de programmation pour la cuisson.
- ③ Indication du réglage de la durée : ce symbole indique que vous réglez ou avez réglé la durée de cuisson.
- ④ Indication d'heure : cela peut afficher la durée de cuisson que vous avez définie et le compte à rebours de la programmation.
- ⑤ Unité d'heure : cela affiche l'unité d'heure que vous définissez.
- ⑥ Indication en cours de chauffage : lorsque le symbole « en cours de chauffage » est allumé, cela signifie que votre four vapeur est en cours de cuisson. Lorsque la porte est ouverte pendant le travail, ce symbole clignote.
- ⑦ Conseil d'ajout de l'eau : lorsque ce symbole clignote, cela signifie que vous devez ajouter de l'eau dans le réservoir d'eau de votre four vapeur, puis pousser le réservoir d'eau dans la fente du réservoir d'eau et pousser-le en place.

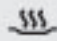
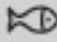



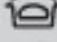


II. Précautions avant chaque utilisation

■ Remplissage d'eau dans le réservoir d'eau

Avant que le four vapeur ne fonctionne, mettez d'abord l'eau potable fraîche dans le réservoir d'eau jusqu'au repère de niveau d'eau maximum « max », puis insérez le réservoir d'eau dans la fente du réservoir d'eau et poussez-le en place. (Il est préférable d'utiliser de l'eau pure).

■ Avant d'utiliser le bac vapeur (avec trous), insérez la lèchefrite (sans trous) dans la couche inférieure du récipient intérieur.

■ Liste des fonctions


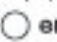
Symboles des modes de cuisson à la vapeur	Fonction de cuisson à la vapeur	Température par défaut (°F)	Durée par défaut (min)	Plage de température (°F)	Plage de durée
	Cuisson à la vapeur générale	212	20	86-212	1 minute-5 heures
	Cuisson à la vapeur du poisson	212	15	194-212	1 minute-5 heures
	Cuisson à la vapeur de la viande	212	30	194-212	1 minute-5 heures
	Cuisson à la vapeur des légumes	212	20	194-212	1 minute-5 heures
	Cuisson à la vapeur des pâtes	212	15	194-212	1 minute-5 heures
	Fermentation	95	30	95-113	1 minute-12 heures
	Décongélation	122	30	104-122	1 minute-5 heures
	Détartrage	Paramétrage fixe selon la programmation	Paramétrage fixe selon la programmation	Paramétrage fixe selon la programmation	Paramétrage fixe selon la programmation

Nota: la température par défaut est uniquement à titre de référence. Vous pouvez sélectionner la température de cuisson appropriée en fonction des caractéristiques des ingrédients de cuisson : par exemple, pour le mode « cuisson à la vapeur du poisson », la température par défaut (212 °F) est plus adaptée à la cuisson de poisson mariné ou plus ancien, et lorsque vous cuisinez du poisson avec une viande relativement tendre, la température et la durée de cuisson doivent être réduits de manière appropriée. Pour la méthode de cuisson détaillée, veuillez-vous référer à la recette du four vapeur fournie avec la machine.

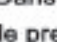
III. Cuisson avec le four vapeur

Étapes d'opérations: placer la vaisselle dans le four → remplir le réservoir d'eau → allumer la machine → sélectionner le mode de cuisson → régler la température de cuisson → régler la durée de cuisson → confirmer et démarrer la cuisson → fin de la cuisson et éteindre la machine → nettoyage quotidien

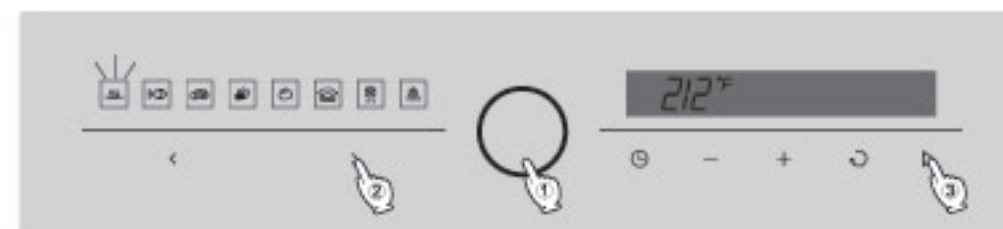
1. Allumer/Éteindre

Appuyez sur la touche « alimentation »  pour mettre la machine sous tension (opération ①), puis accédez à l'interface de sélection de mode ; appuyez sur la touche « alimentation »  en cas de machine allumée et dans n'importe quel mode de fonctionnement pour terminer l'arrêt de la machine et l'écran d'affichage s'éteint.



2. Sélectionner le mode de cuisson

Dans l'interface de sélection de mode, l'écran affiche tous les symboles de mode de travail et le premier symbole de mode  clignote. À ce stade, appuyez sur les touches < et > pour accéder à une sélection cyclique des modes. Appuyez sur la touche < pour sélectionner à gauche, appuyez sur > pour sélectionner à droite (opération ②), par exemple, lorsque le mode « cuisson à la vapeur générale » est sélectionné, parmi les symboles du mode de cuisson affichés sur l'interface, seule le symbole « cuisson à la vapeur générale » clignote. L'interface d'affichage à ce moment est comme indiqué dans la figure ci-dessous.

Nota: le symbole ou le texte « clignotant » mentionné dans la notice est pour vous rappeler de régler cet élément.



3. Régler la température de cuisson

Appuyez sur la touche  pour confirmer que le mode de cuisson est « cuisson à la vapeur générale » (opération ③). À ce moment, la valeur de température par défaut correspondante clignote. Appuyez sur les touches - ou + pour régler la température de cuisson requise. Chaque pression correspond à l'augmentation ou à la diminution de « 1 » en conséquence. Appuyer à longue période signifie mode d'avance rapide, comme indiqué sur la figure (opération ④). Par exemple, après avoir réglé la température de cuisson à 203 °F, appuyez sur la touche  pour accéder à l'interface de réglage de la durée de cuisson (opération ⑤).



4. Régler la durée de cuisson

Lorsque vous entrez dans l'interface de réglage de la durée de cuisson, la valeur de minuterie sur l'interface d'affichage commence à clignoter et appuyez sur la touche - ou + à ce moment pour régler la durée de cuisson requise (en minutes). Par exemple, réglez la durée de cuisson à 30 minutes, comme indiqué dans la figure suivante (opération ⑥).



5. Démarrer la cuisson

Une fois le réglage de la durée terminé, appuyez sur la touche > (opération ⑦) et le four vapeur commence à fonctionner.

6. Fin de cuisson

Après que la durée de cuisson réglée est écoulée, le four vapeur s'arrêtera automatiquement de fonctionner et le buzzer émettra un bip pour 10 fois aux fins du rappel et le four vapeur entre dans l'interface de sélection de mode, et la cuisson se termine.

Nota: étant donné que le four vapeur n'a pas de fonction de refroidissement, lorsque la température ambiante est supérieure à la température de cuisson réglée, le four vapeur ne pourra pas fonctionner à la température réglée.

■ Préchauffage

Pendant le processus de cuisson, le four vapeur a besoin d'une certaine durée de préchauffage (la durée de préchauffage est d'environ 5-10 minutes selon l'environnement d'utilisation et la température réglée). Lorsque la température dans le four atteint la température de cuisson réglée, le four vapeur termine le préchauffage. À ce moment, le four vapeur commence la cuisson et le compte à rebours est lancé en fonction de la durée de cuisson réglée.

IV. Description d'indication du produit \ réglage des fonctions

■ Mise sous tension

Une fois le four vapeur connecté à l'alimentation, un signal sonore retentit pour entrer dans l'interface de réglage de l'horloge. Si aucune opération n'est effectuée dans les 2 minutes suivant la mise sous tension, la machine accède à l'interface de veille de l'horloge numérique. Après l'affichage de l'interface de l'horloge numérique pendant 40 secondes, la machine accède à l'interface d'arrêt.

■ Réglage de l'horloge

Dans l'interface de sélection de mode, appuyez sur la touche ⌚ pour accéder à l'interface de réglage de l'horloge (opération ①), à ce moment, la valeur de minuterie clignote, comme illustré ci-dessous :



Réglez la valeur de minuterie (en heure) en appuyant sur la touche - ou + (opération ②).

Réglez d'abord l'heure, puis les minutes : après avoir réglé la valeur de l'heure, appuyez sur la touche > pour entrer le réglage de la valeur des minutes (opération ③).

■ Interface de sélection de mode

Appuyez sur la touche « alimentation » ⏻ pour mettre l'appareil sous tension et accéder immédiatement à l'interface de sélection de mode.

Nota : lorsque la machine n'est pas allumée, seule la touche « alimentation » ⏻ est valide. L'interface de sélection de mode est illustrée dans la figure ci-dessous, où le premier symbole de mode clignote.



Nota : Lors de la sélection de mode, si aucune opération n'est effectuée pendant 2 minutes, la machine entrera dans l'interface d'arrêt.



Interface de veille de l'horloge numérique



Interface d'arrêt

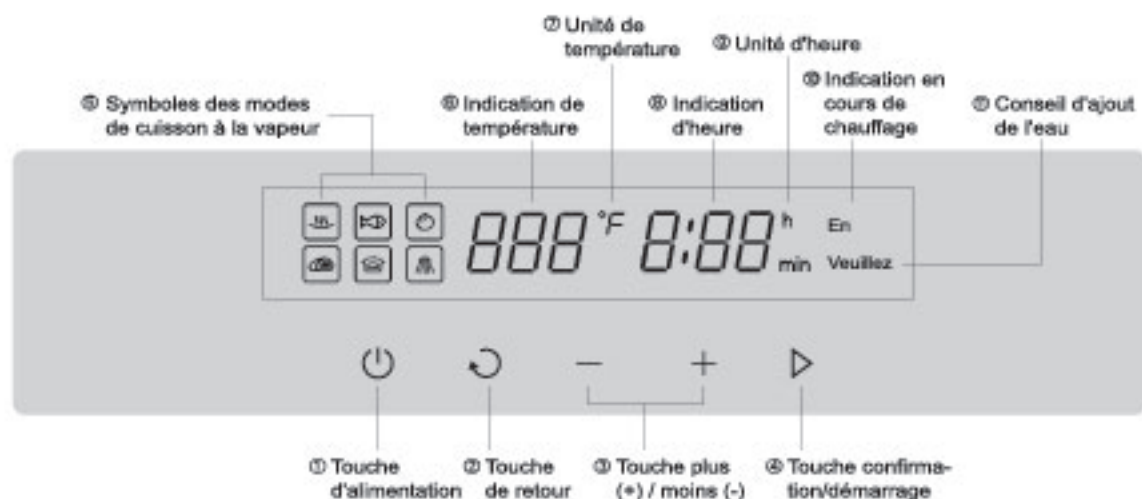
■ Réglage des sept autres fonctions

Paramétrage des sept autres fonctions : le paramétrage des fonctions telles que la cuisson à la vapeur du poisson « 🐟 », la cuisson à la vapeur de la viande « 🍖 », la cuisson à la vapeur des légumes « 🥕 », la cuisson à la vapeur des pâtes « 🍝 », la fermentation « 🍷 » et la décongélation « ❄️ » sont les mêmes que le mode de cuisson à la vapeur générale.

Étant donné que différents ingrédients ont des exigences différentes en matière de température de cuisson et de puissance de feu sur différentes périodes de temps, afin d'obtenir un meilleur effet de cuisson, il est recommandé de sélectionner un mode de cuisson approprié en fonction des principaux ingrédients des plats.

★SCD42-F1

I. Schéma du bandeau de commande



■ À propos du bandeau de commande, des touches et de l'interface d'affichage

● Touches d'opérations

- ① Touche d'alimentation : appuyez sur cette touche pour allumer la machine, appuyez sur cette touche pour éteindre la machine lorsqu'elle est allumée.
- ② Touche de retour : appuyez sur cette touche pour quitter l'interface, le réglage ou la fonction existants.
- ③ Touche plus (+) / moins (-) : appuyez sur la touche plus (+) ou moins (-) pour définir les valeurs requises pour la température et la durée de cuisson.
- ④ Touche confirmation/démarrage : appuyez sur cette touche pour confirmer la température et la durée de cuisson réglées et démarrer la cuisson.

● Symboles et textes de l'interface d'affichage

- ⑤ Symboles des modes de cuisson à la vapeur : les symboles des modes de la cuisson à la vapeur sont utilisés pour identifier les modes de cuisson à la vapeur disponibles. Il existe 6 modes en option pour la cuisson à la vapeur : cuisson à la vapeur générale, cuisson à la vapeur du poisson, cuisson à la vapeur des pâtes, cuisson à la vapeur de la viande, fermentation et détartrage.
- ⑥ Indication de température : ceci peut afficher la température que vous avez définie et la température à l'intérieur du four.
- ⑦ Unité de température : ce symbole indique l'unité de température (°F) que vous avez définie.
- ⑧ Indication d'heure : cela peut afficher la durée de cuisson que vous avez définie et le compte à rebours de la programmation.

⑨ Unité d'heure : cela affiche l'unité d'heure que vous définissez.

⑩ Indication en cours de chauffage : lorsque le symbole « en cours de chauffage » est allumé, cela signifie que votre four vapeur est en cours de cuisson. Lorsque la porte est ouverte pendant le travail, ce symbole clignote.

⑪ Conseil d'ajout de l'eau : lorsque ce symbole clignote, cela signifie que vous devez ajouter de l'eau dans le réservoir d'eau de votre four vapeur, puis pousser le réservoir d'eau dans la fente du réservoir d'eau et pousser-le en place.

II. Précautions avant chaque utilisation

■ Remplissage d'eau dans le réservoir d'eau

Avant que le four vapeur ne fonctionne, mettez d'abord l'eau potable fraîche dans le réservoir d'eau jusqu'au repère de niveau d'eau maximum « max », puis insérez le réservoir d'eau dans la fente du réservoir d'eau et poussez-le en place. (Veuillez utiliser de l'eau pure pour la cuisson, afin de ne pas endommager la machine après l'accumulation du tartre.)

■ Avant d'utiliser le bac vapeur (avec trous), insérez la lèchefrite (sans trous) dans la couche inférieure du récipient intérieur.

■ Liste des fonctions

Symboles des modes de cuisson à la vapeur	Fonction de cuisson à la vapeur	Température par défaut (°F)	Durée par défaut (min)	Plage de température (°F)	Plage de durée
	Cuisson à la vapeur générale	212	20	86-212	1 minute-5 heures
	Cuisson à la vapeur du poisson	212	15	194-212	1 minute-5 heures
	Cuisson à la vapeur des pâtes	212	15	194-212	1 minute-5 heures
	Cuisson à la vapeur de la viande	212	30	194-212	1 minute-5 heures
	Fermentation	95	30	95-113	1 minute-12 heures
	Détartrage	Paramétrage fixe selon la programmation	Paramétrage fixe selon la programmation	Paramétrage fixe selon la programmation	Paramétrage fixe selon la programmation

Nota: la température par défaut est uniquement à titre de référence. Vous pouvez sélectionner la température de cuisson appropriée en fonction des caractéristiques des ingrédients de cuisson : par exemple, pour le mode « cuisson à la vapeur du poisson », la température par défaut (212°F) est plus adaptée à la cuisson de poisson mariné ou plus ancien, et lorsque vous cuisinez du poisson avec une viande relativement tendre, la température et la durée de cuisson doivent être réduits de manière appropriée.

III. Cuisson avec le four vapeur

Étapes d'opérations : placer la vaisselle dans le four → remplir le réservoir d'eau → allumer la machine → sélectionner le mode de cuisson → régler la température de cuisson → régler la durée de cuisson → confirmer et démarrer la cuisson → fin de la cuisson et éteindre la machine → nettoyage quotidien

1. Allumer/Éteindre

Appuyez sur la touche « alimentation » pour mettre la machine sous tension, puis accédez à l'interface de veille ; appuyez sur la touche « alimentation » en cas de machine allumée pour terminer l'arrêt de la machine et l'écran d'affichage s'éteint.

2. Sélectionner le mode de cuisson

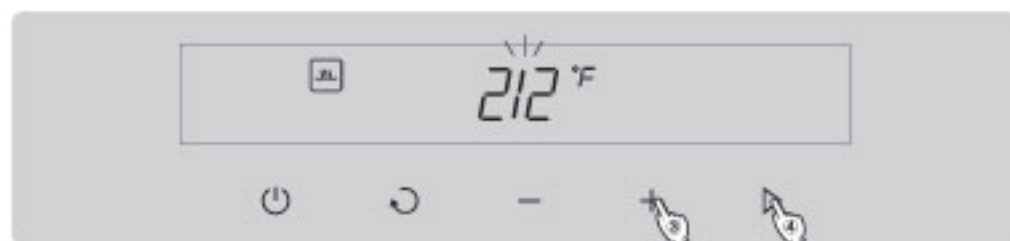
Dans l'interface de veille, sélectionnez le mode de cuisson souhaité en appuyant sur la touche « +/- ». Par exemple, si le mode « cuisson à la vapeur générale » est sélectionné, à ce stade, l'interface d'affichage affiche tous les symboles du mode de cuisson, dont le symbole « cuisson à la vapeur générale » clignote et la température par défaut correspondante est affichée, l'interface d'affichage à ce moment est comme indiqué ci-dessous (opération ①).

Nota: le symbole ou le texte « clignotant » mentionné dans la notice est pour vous rappeler de régler cet élément.



3. Régler la température de cuisson

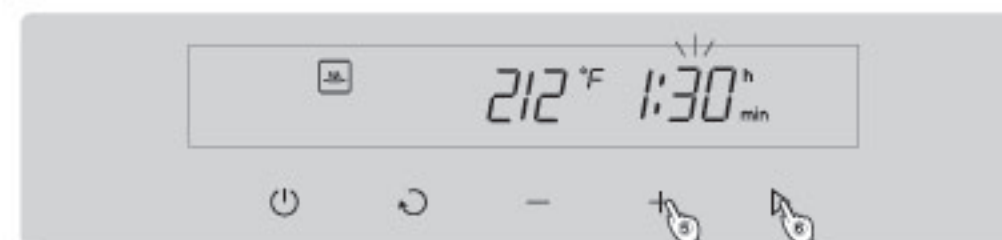
Appuyez sur la touche « confirmer/démarrer » pour confirmer que le mode de cuisson est « cuisson à la vapeur générale » (opération ②). À ce stade, la valeur de température par défaut clignote. Appuyez sur la touche « +/- » pour définir la température de cuisson souhaitée, comme indiqué dans la figure ci-dessous. (Opération ③), par exemple, après avoir réglé la température de cuisson à 212 °F, appuyez sur la touche « confirmer / démarrer » pour accéder à l'interface de réglage de la durée (opération ④).



4. Régler la durée de cuisson

Lorsque vous entrez dans l'interface de réglage de la durée de cuisson, la valeur de durée sur l'interface d'affichage commence à clignoter. À ce moment, réglez la durée de cuisson

requis (en minutes) en appuyant sur les touches « +/- ». Par exemple, réglez la durée de cuisson à 1 heure et 30 minutes, comme indiqué dans la figure ci-dessous (opération ⑤).



5. Démarrer la cuisson

Une fois le réglage de la température terminé, appuyez sur la touche « confirmer/démarrer » (opération ⑥) et le four vapeur commencera la cuisson.

6. Fin de cuisson

Après que la durée de cuisson réglée est écoulée, le four vapeur s'arrêtera automatiquement de fonctionner et le buzzer émettra un bip pour 10 fois aux fins du rappel et le four vapeur entre dans l'interface de sélection de mode, et la cuisson se termine.

Nota: étant donné que le four vapeur n'a pas de fonction de refroidissement, lorsque la température ambiante est supérieure à la température de cuisson réglée, le four vapeur ne pourra pas fonctionner à la température réglée.


■ Préchauffage

Pendant le processus de cuisson, le four vapeur a besoin d'une certaine durée de préchauffage (la durée de préchauffage est d'environ 5-10 minutes selon l'environnement d'utilisation et la température réglée). Lorsque la température dans le four atteint la température de cuisson réglée, le four vapeur termine le préchauffage. À ce moment, le four vapeur commence la cuisson et le compte à rebours est lancé en fonction de la durée de cuisson réglée.



Opérations avancées

★ SCD42-C2T

I. Paramétrage de la fonction de détartrage

Après un certain temps de fonctionnement du four vapeur, du tartre peut apparaître sur la plaque chauffante au bas du récipient intérieur. Afin d'améliorer son efficacité de travail et de prolonger sa durée de vie, l'utilisateur peut choisir un programme  pour le détartrage.

Processus de fonctionnement de base de la fonction « détartrage » :

- Ajoutez un sachet de détartrant spécial dans le réservoir d'eau, ajoutez de l'eau tiède jusqu'au « niveau d'eau de détartrage » sur l'échelle du réservoir d'eau et bien mélangez jusqu'à la dissolution complète ;
- Placez le réservoir d'eau dans la fente, dans l'interface de sélection de mode, appuyez sur les touches < et > pour sélectionner le symbole de la fonction « détartrage » , puis appuyez sur la touche  pour commencer le détartrage. L'interface d'affichage pendant le processus de détartrage est illustrée dans la figure suivante :



c) Une fois le détartrage terminé, le four vapeur s'arrête automatiquement. Après qu'un bref signal sonore retentit 10 fois, l'interface de sélection du mode est affichée. Une fois le détartrage terminé, vidangez l'eau restante dans le réservoir d'eau et nettoyez la cavité du four vapeur et le réservoir d'eau.

Nota: dans l'état de détartrage, la température et la durée réglée ne peuvent pas être sélectionnés, et ce sont tous des paramètres fixes du programme.

II. Cuisson avec la fonction de programmation

Étapes d'opérations : remplir le réservoir d'eau→placer la vaisselle dans le four→allumer la machine→sélectionner le mode de cuisson→régler la température de cuisson→régler la durée de cuisson→programmer l'heure de début de cuisson→confirmer et terminer la programmation→commencer la cuisson dès l'heure de début programmée→en cours de cuisson→fin de la cuisson et arrêt automatique→nettoyage

Les 6 premières étapes ci-dessus, soit jusqu'à « régler la durée de cuisson », sont exactement les mêmes que [Cuisson avec le four vapeur], ci-dessous est l'introduction à partir de « programmer l'heure de début de cuisson » :

1. Programmer l'heure de début de cuisson

Après avoir réglé la durée de cuisson, ne touchez pas la touche ▷ et appuyez sur la touche ⌚ dans les 2 minutes pour accéder à la programmation de l'heure de début de cuisson (opération ①). À ce moment, la valeur de minuterie clignote, comme illustré dans la figure suivante :



Régler l'heure de début à programmer (en heure) en appuyant sur la touche - ou + (opération ②). Réglez d'abord l'heure, puis les minutes : après avoir réglé la valeur de l'heure, appuyez sur la touche ▷ pour accéder au réglage de la valeur des minutes (opération ③).



2. Terminer la programmation

Réglez la valeur de minuterie (en minutes) en appuyant sur la touche - ou + (opération ④). Après avoir réglé la minuterie, appuyez sur la touche ▷ pour terminer (opération ⑤), comme indiqué dans la figure ci-dessous. À ce moment, l'interface affiche l'heure de début de cuisson programmée. Si vous ne touchez pas la touche ▷ pour le confirmer, la machine entrera dans l'interface d'horloge après 2 minutes.



3. Démarrer la cuisson

À l'heure de début de cuisson programmée, le four vapeur démarrera automatiquement la cuisson. Une fois que la température de cuisson réglée atteint, le compte à rebours de cuisson s'affichera.

4. Fin de cuisson

Après que la durée de cuisson réglée est écoulée, le four vapeur s'arrêtera automatiquement de fonctionner et le buzzer émettra un bip pour 10 fois aux fins du rappel et le four vapeur entre dans l'interface de sélection de mode, et la cuisson se termine.

III. D'autres fonctions supplémentaires

Désignation des fonctions	Contenu des fonctions
Fonction de modifier la température de cuisson et la durée de cuisson	Lorsque la machine entière fonctionne, appuyez sur la touche - ou + pour refaire le réglage de la température de cuisson, puis appuyez sur la touche ▷ pour le confirmer. Une fois le réglage de la température de cuisson terminé, appuyez à nouveau sur la touche - ou + pour refaire le réglage de la durée de cuisson, puis appuyez sur la touche ▷ pour le confirmer.
Fonction de modifier l'heure programmée	En attendant l'heure programmée, appuyez sur la touche ⌚ pour accéder à la modification de l'heure programmée, puis appuyez sur la touche - ou + pour modifier l'heure programmée, puis appuyez sur la touche ▷ pour le confirmer. Si vous ne touchez pas la touche ▷ pour le confirmer, la nouvelle heure programmée n'est pas valide. Le réglage et la modification de l'heure programmée ne sont pas valides pendant le travail de la machine entière.
Fonction de refroidissement du ventilateur	Une fois le travail de minuterie du four vapeur terminé, le ventilateur continuera de fonctionner pendant 20 minutes supplémentaires.
Fonction de rappel de manque d'eau	Lorsque l'eau dans le réservoir d'eau est inférieure au niveau d'eau minimum, « veuillez ajouter de l'eau » clignote sur l'écran d'affichage et le buzzer retentit trois fois toutes les 30 secondes. À ce moment, veuillez retirer le réservoir d'eau et verser de l'eau pure à température normale jusqu'au niveau d'eau maximum « MAX », puis poussez le réservoir d'eau dans la fente et poussez-le en place (veuillez utiliser de l'eau pure pour la cuisson, afin de ne pas endommager la machine après l'accumulation du tartre.)

★ SCD42-F1

I. Description d'indication du produit \ réglage des fonctions

■ Mise sous tension

Une fois le four vapeur connecté à l'alimentation électrique, l'écran d'affichage s'éteint une fois que toutes les indications sont affichées et le buzzer émet un bip et la machine passe à l'état d'arrêt.

État d'arrêt : rien ne s'affiche à l'écran d'affichage.

■ Interface de veille

Appuyez sur la touche « alimentation » pour mettre l'appareil sous tension et accéder immédiatement à l'interface de veille.

Nota : lorsque la machine n'est pas allumée, seule la touche « alimentation » est valide.

En mode veille, l'interface d'affichage est comme indiqué dans la figure ci-dessous.

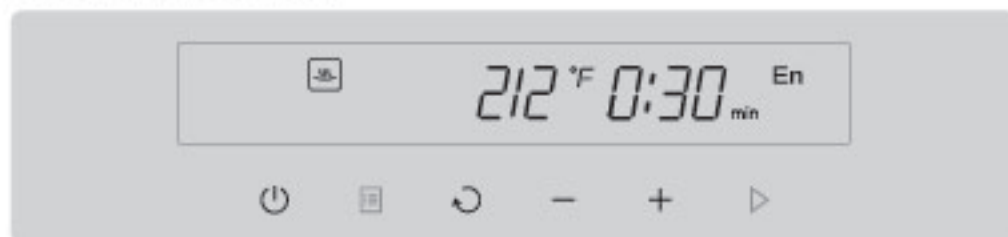


État de veille

Nota : dans l'interface de veille, s'il n'y a aucune opération pendant 2 minutes, le four vapeur s'arrêtera.


Nota : sous l'état de réglage, s'il n'y a aucune opération dans les 2 minutes, le four vapeur passera en état de veille.

■ Interface de travail de cuisson



Pendant le processus de préchauffage, l'« indication d'horloge » signifie la durée de cuisson réglée et l'« indication de température » signifie la température en temps réel dans le four : lorsque la température réelle dans le four atteint la température réglée, le préchauffage est terminé. À ce moment, l'« indication d'horloge » signifie le compte à rebours pour la cuisson et l'« indication de température » signifie la température réelle.


■ Paramétrage de la fonction de détartrage

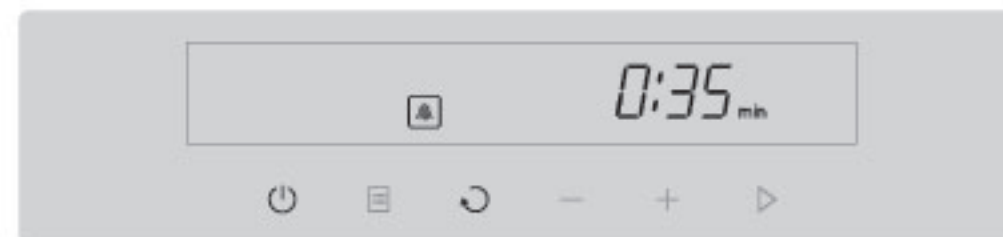
Après un certain temps de fonctionnement du four vapeur, du tartre peut apparaître sur la plaque chauffante au bas du récipient intérieur. Afin d'améliorer son efficacité de travail et de prolonger sa durée de vie, l'utilisateur peut choisir un programme  pour le détartrage.

Processus de fonctionnement de base de la fonction de détartrage :

a) Mettez une dose appropriée de détersif dans le contenant, ajoutez de l'eau jusqu'au repère

indiquant « niveau pour la détergence » et laissez le détersif se dissoudre pleinement.

b) Placez le réservoir d'eau dans la fente, dans l'interface de sélection de mode, appuyez sur les touches « +/- » pour sélectionner le symbole de la fonction de détartrage , puis appuyez sur la touche « confirmer/démarrer » pour commencer le détartrage. L'interface d'affichage pendant le processus de détartrage est illustrée dans la figure suivante :



c) Une fois le détartrage terminé, le four vapeur s'arrête automatiquement. Après qu'un bref signal sonore retentit 10 fois, l'interface de sélection du mode est affichée. Une fois le détartrage terminé, vidangez l'eau restante dans le réservoir d'eau et nettoyez la cavité du four vapeur et le réservoir d'eau.

Nota: dans l'état de détartrage, la température et la durée réglée ne peuvent pas être sélectionnés, et ce sont tous des paramètres par défaut.

II. D'autres fonctions supplémentaires

Désignation des fonctions	Contenu des fonctions
Fonction de modifier la température de cuisson et la durée de cuisson	Lorsque la machine entière fonctionne, appuyez sur la touche « +/- » pour refaire le réglage de la température de cuisson, puis appuyez sur la touche « confirmer/démarrer » pour le confirmer. Une fois le réglage de la température de cuisson terminé, appuyez à nouveau sur la touche « +/- » pour refaire le réglage de la durée de cuisson, puis appuyez sur la touche « confirmer/démarrer » pour le confirmer.
Fonction de refroidissement du ventilateur	Une fois le travail de minuterie du four vapeur terminé, le ventilateur continuera de fonctionner pendant 20 minutes supplémentaires.
Fonction de rappel de manque d'eau	Lorsque l'eau dans le réservoir d'eau est inférieure au niveau d'eau minimum, « veuillez ajouter de l'eau » clignote sur l'écran d'affichage et le buzzer retentit trois fois toutes les 30 secondes. À ce moment, veuillez retirer le réservoir d'eau et verser de l'eau pure à température normale jusqu'au niveau d'eau maximum « MAX », puis poussez le réservoir d'eau dans la fente et poussez-le en place (veuillez utiliser de l'eau pure pour la cuisson, afin de ne pas endommager la machine après l'accumulation du tartre.)

Liste d'emballage

Après le déballage, veuillez vérifier si le produit et les accessoires suivants sont complets.

- Si la responsabilité incombe à notre société ou au vendeur, veuillez contacter le vendeur pour le régler.
- S'il s'agit de la responsabilité de l'utilisateur, veuillez appeler le centre de service après-vente le plus proche.

■ Machine entière	1	■ Joints d'étanchéité de réservoir d'eau	2
■ Notice d'utilisation	1	■ Vis en bois	2
■ Lèche-frite	1	■ Bac vapeur	1

Méthode d'installation

- Le four vapeur doit être installé de manière stable dans un endroit facile à utiliser et à entretenir, et ne doit pas être installé en biais.
- Il est strictement interdit d'installer le four vapeur électrique et la prise de courant dans un endroit où ils peuvent être humides ou facilement mouillés par l'eau.
- Soulevez la machine à partir du trou de poignée ou du fond pendant la manipulation et le placement. Manipulez délicatement, ne déplacez jamais le four vapeur en tirant la porte ou la poignée.
- Le four vapeur électrique est encastré dans le placard, la plaque inférieure de la cavité du placard doit pouvoir supporter un poids de plus de 132,3 lbs.

Nota : 1. les matériaux du placard (bois et adhésif) pour l'installation du four vapeur doivent être résistants à des températures supérieures à 212 °F.

2. Pour maintenir la ventilation, gardez un espace supérieur à 113/16 pouces à l'arrière.
3. Un espace de plus de 311/2 pouces doit être réservé devant le four vapeur pendant l'installation.
4. Utilisez les vis en bois dans le sac d'accessoires pour fixer le four vapeur au placard (voir le schéma de vissage).
5. Cette machine doit utiliser la prise 10A séparément et assurez-vous que la prise est en bon contact, ne la partagez pas avec d'autres appareils électriques.
6. Après l'installation, les côtés gauche et droit et le haut du panneau de four vapeur devraient maintenir un espace de plus de 1/8 pouce avec les murs, le placard, les appareils, etc., et le bas du panneau de four vapeur devrait maintenir un espace de plus de 7/16 pouces avec les murs, le placard, les appareils, etc.
7. Le four vapeur sera soumis à un test de vieillissement d'inspection complet avant d'être livré de l'usine, il y aura donc une petite quantité d'eau résiduelle dans la canalisation interne, et la présence d'une petite quantité de billes d'eau dans le récipient intérieur et le réservoir d'eau est normale.

Retirez l'emballage extérieur et le sac de film du four vapeur et rapprochez le four vapeur du trou de montage. Une extrémité du câble d'alimentation est branchée dans la prise du câble d'alimentation à l'arrière du four vapeur et l'autre extrémité est connectée à la prise d'alimentation (sans mise sous tension). Placez lentement le four vapeur dans la cavité du placard en prenant la

poignée du four vapeur par une main, et maintenant le fond par l'autre main. Relâchez-le d'une main et poussez doucement le four vapeur jusqu'au bout. Placez l'extrémité avant du four vapeur sur la plaque inférieure du placard. Utilisez les vis en bois dans le sac d'accessoires pour fixer le four vapeur au placard (voir le schéma de vissage).

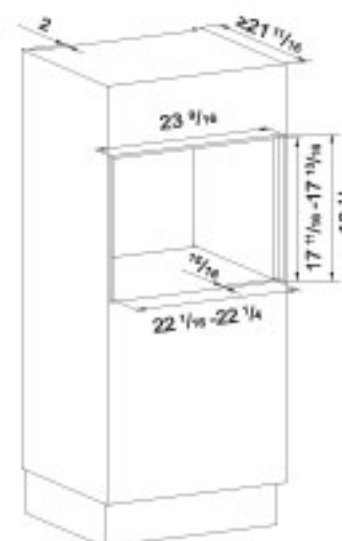
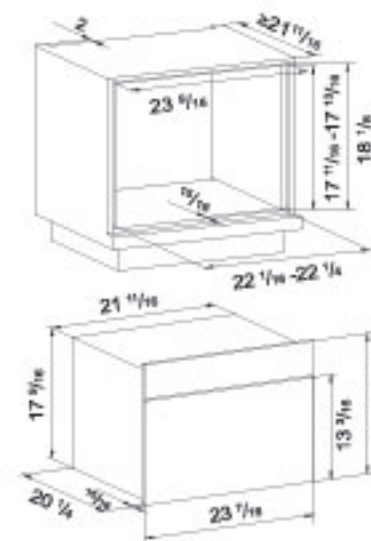


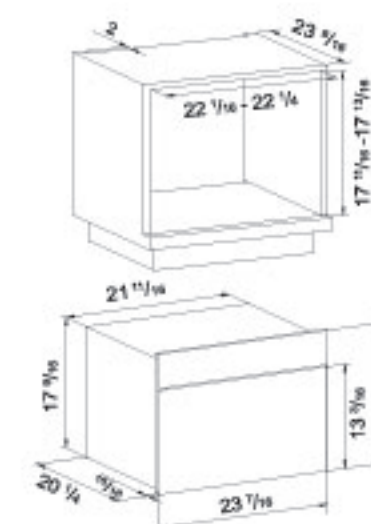
Schéma de l'installation entièrement encastrée



Unité de marquage : pouces

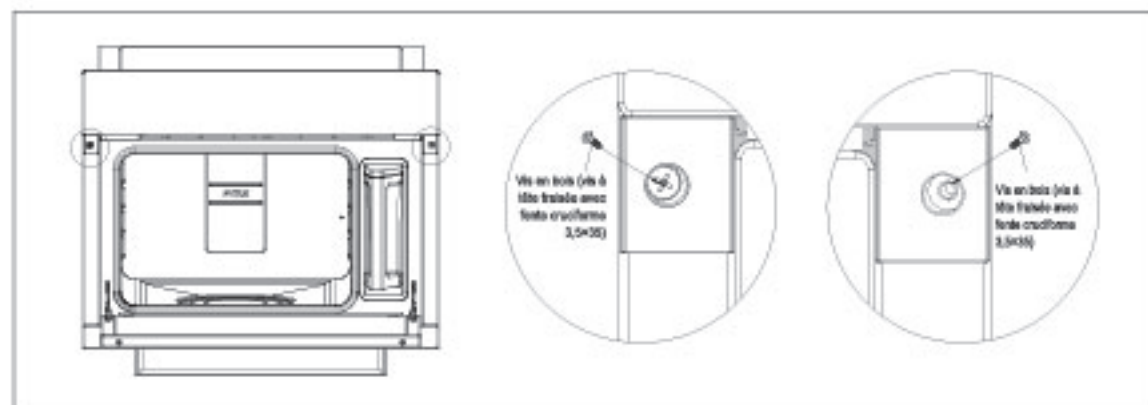


Schéma de l'installation semi-encastrée



Unité de marquage : pouces

Schéma du vissage



Recommandations de nettoyage et d'entretien

Précautions générales

Après chaque utilisation, le récipient intérieur et le réservoir de condensation doivent être nettoyés et le récipient intérieur doit être refroidi avant le nettoyage. Avant de fermer la porte du four vapeur, assurez-vous que le récipient intérieur est complètement sec.

⚠ Avertissement: n'utilisez pas de nettoyeur à vapeur pour nettoyer la machine, car la vapeur sous pression endommagera de façon permanente la surface et les accessoires, et notre société n'en est pas responsable. N'utilisez pas de détergents contenant de l'alcali/de la soude, de l'acide ou du chlore, et n'utilisez pas de spray de nettoyage, de nettoyants pour lave-vaisselle ou de nettoyants corrosifs, de brosses dures, de tampons à récurer et de brosses métalliques. N'utilisez pas d'éponges avec des nettoyants abrasifs pour éviter de rayer la surface.

Joint/joint de porte du four vapeur

Après chaque utilisation, veuillez nettoyer et sécher le joint de porte du four vapeur. Veuillez utiliser une éponge en tissu, plus de l'eau chaude, ne pas utiliser de détergent. Le joint de porte du four vapeur peut être perforé ou fissuré avec le temps. Si cela se produit, veuillez le remplacer par un nouveau joint.

⚠ Avertissement: n'utilisez pas de détergents contenant des surfactants. Veuillez-vous assurer qu'aucun agent de nettoyage ne colle au joint de porte du four vapeur.

Panneau frontal et/ou boîtier en acier inoxydable :

Il est recommandé d'utiliser des nettoyants et des produits d'entretien non abrasifs. Veuillez essuyer la surface le long du sens du « grain d'acier » avec une force uniforme.

Bac vapeur, lèchefrite et récipient de cuisson

Dès que vous utilisez le bac vapeur, le bac à huile et le récipient de cuisson, vous devez les laver et sécher.

Nota : les accessoires ci-dessus peuvent être nettoyés au lave-vaisselle.

Paroi intérieure du four vapeur

Après chaque utilisation, veuillez nettoyer l'intérieur du four vapeur. Utilisez une éponge ou un chiffon doux à forte hygroscopicité pour essuyer le condensat sur la paroi intérieure du récipient intérieur.

La plupart des résidus de cuisson peuvent être nettoyés avec un chiffon et un détergent doux et de l'eau chaude. Dans les zones où la qualité de l'eau est médiocre, il peut y avoir un dépôt blanc sur la paroi intérieure du four vapeur, qui peut être essuyé avec un chiffon humide et une petite quantité de vinaigre. Essuyez la paroi intérieure avec de l'eau propre et séchez-la. En même temps, nettoyez et séchez le haut du four vapeur, la rainure de condensation, la paroi intérieure de la porte et la fente du réservoir d'eau.

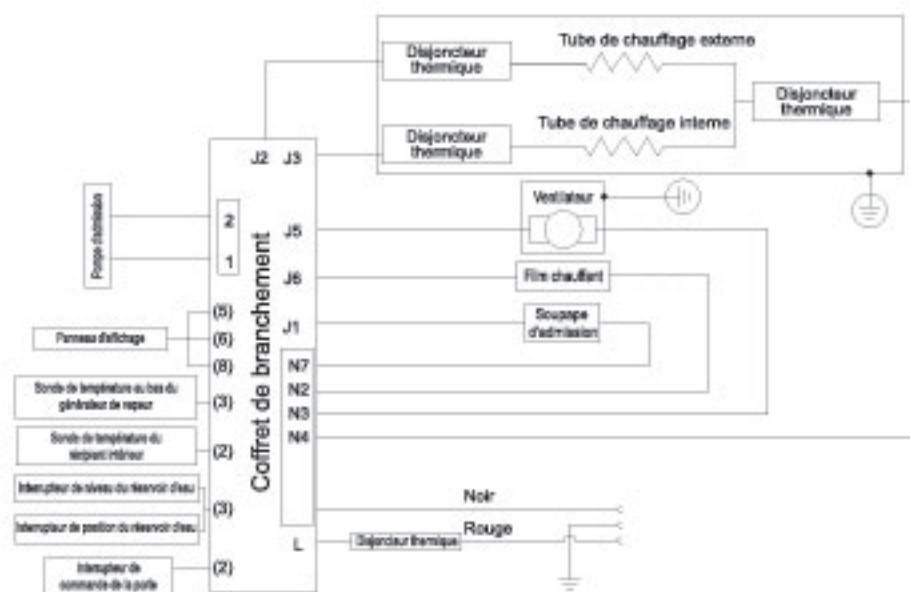
Suggestions: 1. Nettoyez et séchez simultanément le haut du four vapeur, la plaque chauffante au bas du récipient intérieur, la paroi intérieure de la porte et la fente du réservoir d'eau.

2. Après chaque utilisation, vidangez l'eau du réservoir d'eau et essuyez-le.

Principaux paramètres techniques

Modèle	SCD42-C2T/SCD42-F1	Poids net	53,6 lbs
Tension nominale	240V	Méthode de chauffage	Chauffage à vapeur
Puissance nominale	2400 W	Méthode de contrôle	Tactile
Fréquence nominale	60 Hz		
Capacité nominale	1,48Cu.Ft.		

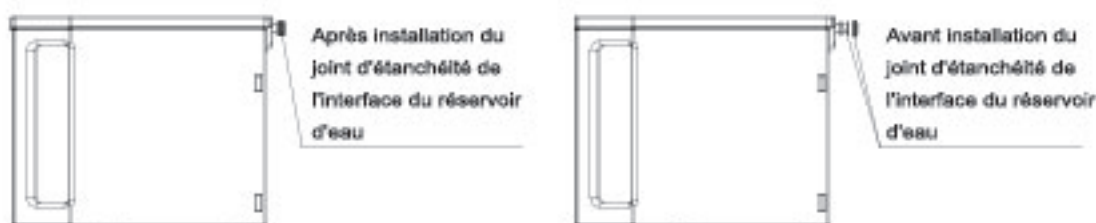
Schéma de câblage électrique



Réservoir d'eau

Après chaque utilisation, vidangez l'eau du réservoir d'eau et laissez-le sécher.

Le joint d'étanchéité de l'interface du réservoir d'eau est une pièce d'usure. Après une utilisation répétée, une usure grave et des dommages peuvent se produire. Si une telle situation se produit et que l'effet d'étanchéité entre le réservoir d'eau et le support du réservoir d'eau est affecté, vous pouvez remplacer le joint d'étanchéité de l'interface du réservoir d'eau (2 joints sont offerts avec la machine entière), faites attention à vérifier si l'installation est bien faite après le remplacement.



Plaque chauffante au bas du récipient intérieur

Après chaque utilisation, éliminez l'eau dans la plaque chauffante au bas du récipient intérieur.

Une fois que le four vapeur a fonctionné pendant un certain temps, la plaque chauffante au bas du récipient intérieur produira inévitablement de la saleté. Afin d'améliorer son efficacité de travail et de prolonger sa durée de vie, veuillez utiliser un détartrant de qualité alimentaire pour le détartrage. Pour des opérations spécifiques, voir « Paramétrage de la fonction de détartrage ».

⚠ Avertissement: une fois le four vapeur utilisé, la plaque chauffante au bas du récipient intérieur aura une température élevée et le nettoyage doit être effectué une fois que la température de la plaque chauffante au bas du récipient intérieur est réduite à une température appropriée.

⚠ Nota: pour maintenir l'hygiène, après chaque utilisation du four vapeur, éliminez l'eau dans le réservoir d'eau, la paroi intérieure du récipient intérieur et la plaque chauffante au bas du récipient intérieur pour éviter l'accumulation de condensat ; n'utilisez pas de tampons à récurer et de brosses métalliques pour le nettoyage.

I. À propos du réservoir d'eau

1. La marque d'échelle de niveau d'eau maximum est imprimée sur le dessus de l'extérieur du réservoir d'eau. Lorsque vous remplissez le réservoir d'eau, veuillez essayer de verser de l'eau à proximité du niveau d'eau maximum, de manière à prolonger au maximum la durée de cuisson continu d'une injection d'eau ; ne dépassez pas le niveau d'eau maximum lors du remplissage d'eau, pour éviter le débordement d'eau lors de l'enfoncement et du tirage du réservoir d'eau.
2. Afin de raccourcir le temps de génération de vapeur, vous pouvez utiliser de l'eau chaude en dessous de 176 °F, veuillez faire attention pour éviter les éclaboussures d'eau chaude lors du versement.
3. Poussez le réservoir d'eau rempli d'eau dans le four vapeur avant que la machine puisse fonctionner. Si le réservoir d'eau n'est pas complètement enfoncé dans le four vapeur, le four vapeur ne chauffera pas et le symbole "veuillez ajouter de l'eau" clignotera.
4. Si le symbole « veuillez ajouter de l'eau » clignote à l'écran et qu'un signal sonore retentit, cela signifie que l'eau dans le réservoir d'eau est inférieure à au niveau d'eau minimum, le four vapeur cesse de fonctionner. À ce moment, veuillez ajouter de l'eau à temps, puis poussez le réservoir d'eau dans la fente et poussez-le en place.

II. À propos de la durée de cuisson et de l'effet de cuisson

1. La durée de préchauffage est plus longue. Vérifiez si la porte est bien fermée ou présente une fuite d'air évidente. Si la porte n'est pas bien fermée, veuillez le faire. En ce moment, s'il y a toujours une fuite d'air évidente, veuillez appeler la hotline nationale du service FOTILE ; vérifiez s'il y a de la saleté sur le capteur de température à l'intérieur du four vapeur, s'il y en a, veuillez l'éliminer à temps.
2. La durée de cuisson est trop longue. Tout d'abord, évitez d'ouvrir fréquemment la porte du four vapeur pendant le processus de cuisson pour réduire les pertes de chaleur pendant le processus de cuisson ; vérifiez si la porte est bien fermée ou présente une fuite d'air évidente. Si la porte n'est pas bien fermée, veuillez le faire. S'il y a encore une fuite d'air évidente à ce moment-là, veuillez appeler la hotline nationale du service FOTILE.
3. Il y a beaucoup de condensats dans le four vapeur. Vérifiez si la machine est nettoyée à temps et que l'eau dans le four vapeur est éliminée après chaque cuisson.
4. Il y a beaucoup de condensats dans l'assiette après la cuisson. Avant la cuisson, les plats peuvent être recouverts d'une pellicule plastique, ou le four vapeur peut être préchauffé à l'avance, et les plats sont placés dans le four vapeur juste avant la fin du préchauffage.

III. Sélection du récipient de cuisson

Le four vapeur est livré avec un récipient de cuisson en acier inoxydable, les utilisateurs peuvent également acheter d'autres accessoires. Lors du choix d'un récipient de cuisson approprié, vous devez faire attention aux points suivants : utilisez autant que possible un récipient de cuisson poreux, car la vapeur peut atteindre les aliments plus à travers les petits trous, de sorte que la cuisson des aliments soit plus uniforme et que la vitesse de chauffage soit plus rapide ; lors de la cuisson des aliments comme les produits cuits à la vapeur, les pois, les

bourgeons, vu une petite taille des aliments, un placement relativement dense, un petit espace entre les aliments ou sans espace, la vapeur ne peut pas fonctionner pleinement et la durée de cuisson sera longue, donc lors de la cuisson, vous devez utiliser un récipient plat pour recevoir les aliments, en laissant plus d'espace à la vapeur de pénétrer ; il est plus approprié de maintenir les aliments à une hauteur de 13/16-2 pouces. Trop d'aliments augmenteront la durée de cuisson et affecteront même le goût des aliments. Le four vapeur est conçu pour la cuisson des aliments de 6 à 8 personnes. Faites attention à ne pas mettre trop d'aliments.

Le verre résistant à la chaleur, le verre céramique, la porcelaine, l'acier inoxydable et l'émail peuvent être utilisés.

Nota : si vous utilisez des récipients de cuisson en plastique, veuillez-vous assurer que le récipient peut résister à une température élevée de 212 °F et à la vapeur.
Si vous utilisez un récipient épais, la durée de cuisson sera longue.
Placez le récipient de cuisson sur le bac vapeur d'accompagnement.
Le haut du bord du récipient doit être à au moins 13/16 pouces du haut du compartiment de cuisson pour permettre à suffisamment de vapeur de pénétrer dans le récipient.

IV. Identification et traitement des défauts communs

Pour votre sécurité, veuillez d'abord appuyer sur la touche d'alimentation pour éteindre le four vapeur, puis effectuez le dépannage correspondant.

Phénomène de défaillance	Analyse de la cause	Solution
E2	Court-circuit ou circuit ouvert du capteur de température de la plaque chauffante au bas du récipient intérieur	Coupez l'alimentation de la machine et rallumez-la. Si le problème n'est toujours pas résolu, veuillez appeler le centre de service après-vente FOTILE.
F3	Circuit ouvert du capteur de température du récipient intérieur	
F4	Court-circuit du capteur de température du récipient intérieur	
Après avoir connecté la fiche de câble d'alimentation, la machine ne répond pas.	Cause 1 : le câble d'alimentation est débranché de la machine.	Retirez la fiche de câble d'alimentation du four vapeur, connectez l'autre extrémité du câble d'alimentation à la machine, puis mettez la machine sous tension.
	Cause 2 : le câble du bandeau de commande n'est pas connecté.	Veuillez appeler le centre de service après-vente FOTILE pour la maintenance.
	Cause 3 : la prise d'alimentation de la machine fournie est hors tension.	Contactez un électricien qualifié pour les tests et la maintenance.
La machine peut fonctionner, mais aucune vapeur n'est générée.	Cause 1 : le circuit de la plaque chauffante au bas du récipient intérieur est coupé.	Tirez la prise de câble d'alimentation du four vapeur, veuillez appeler le centre de service après-vente FOTILE pour la maintenance.
	Cause 2 : le fusible est grillé.	
	Cause 3 : le relais du coffret de branchement contrôlant le fonctionnement de la plaque chauffante au bas du récipient intérieur est tombé en panne.	
	Cause 4 : le capteur de température du récipient intérieur est tombé en panne.	

Phénomène de défaillance	Analyse de la cause	Solution
La machine peut fonctionner, mais aucune vapeur n'est générée.	Cause 5 : les cartes insérables sur le coffret de branchement ne sont pas correctement insérées.	Tirez la prise de câble d'alimentation du four vapeur, veuillez appeler le centre de service après-vente FOTILE pour la maintenance.
	Cause 6 : la porte n'est pas bien fermée ou l'interrupteur de porte est tombé en panne.	
Fuite d'eau de la machine	Cause 1 : l'eau dans le réservoir de condensation déborde.	Absorbez-le avec un chiffon.
	Cause 2 : la plaque chauffante au bas du réservoir intérieur n'est pas bien scellée.	Tirez la prise de câble d'alimentation du four vapeur, veuillez appeler le centre de service après-vente FOTILE pour la maintenance.
	Cause 3 : le récipient intérieur n'est pas hermétique.	
	Cause 4 : le réservoir d'eau présente une fuite.	
	Cause 5 : le tuyau d'entrée ou le tuyau d'échappement est endommagé.	
	Cause 6 : le capteur de température du réservoir intérieur n'est pas hermétique.	
	Cause 7 : le réservoir d'eau n'est pas bien mis en place et le joint d'étanchéité du réservoir d'eau est déformé.	
La machine peut produire de la vapeur mais les aliments ne sont pas bien cuits.	Cause 1 : le capteur de température du récipient intérieur est tombé en panne.	Tirez la prise de câble d'alimentation du four vapeur, veuillez appeler le centre de service après-vente FOTILE pour la maintenance.
	Cause 2 : les cartes insérables sur le coffret de branchement ne sont pas correctement insérées.	
	Cause 3 : le tuyau d'entrée d'eau est endommagé ou le tuyau est déformé.	
	Cause 4 : la plaque chauffante au bas du récipient intérieur est défectueuse.	
Les aliments peuvent être cuits, mais l'écran présente des caractères déformés ou la température augmente lentement.	Cause 1 : Le capteur de température du récipient intérieur est détaché.	Tirez la prise de câble d'alimentation du four vapeur, veuillez appeler le centre de service après-vente FOTILE pour la maintenance.
	Cause 2 : le capteur de température du récipient intérieur est tombé en panne.	



Avertissement: après le dépannage des défauts simples ci-dessus, le four vapeur ne fonctionne toujours pas correctement, veuillez appeler le centre de service après-vente FOTILE. Pour assurer la sécurité et une utilisation correcte, ce produit doit être réparé par des professionnels désignés par notre société. Si le produit ne peut plus fonctionner normalement en raison de l'installation et de la réparation par une personne chargée par le consommateur mais non désignée par notre société ou par le consommateur lui-même, même s'il est dans la période de garantie, il n'est pas couvert par la réparation gratuite. La société n'assume aucune responsabilité pour tout dommage personnel et matériel qui en résulte.