

JQG7507

30-inch Slant Vent Series Range Hood

FOTILE

A BREATH OF FRESH ENGINEERING®



Specifications

Style and Design

Material	Matte Anti-Glare Glass
Color	Black
Installation	Under Cabinet or Wall Mount
Operation	Motion + Touch
Screen Lock	Yes
Delay Shutoff	5 min
Illumination (W)	3W x 2 (LED) 500 Lux
Oil Cup	1 Oversized
Oil Filter	Dishwasher Safe

Performance

Motor	Dual DC Motors
Speed Setting	4
Max Equiv. CFM	1100 CFM**
Noise Level (sones)	1.2 / 4 / 6.5 / 7.5
Noise Level (dB)	38.5 / 48.3 / 54.0 / 56.5
Grease Filtration Rate	95%
Odor Reduction Rate	98%

Technical Specs

Wattage (W)	210W
Power Supply (V/Hz)	120V/60Hz
Vertical Duct	6" Round

Warranty Summary

Labor	2 Years
Parts	5 Years (Limited)
Motor	Lifetime (Limited)

Main Features

Sync Connect with Cooktop*

Seamlessly synchronize cooktop and range hood for easy control of fan and LED lights, eliminating the need to remember to turn it on.

90° Automatic Capture Shield

Prevents smoke dispersion in the kitchen. The extra-wide fume inlet offers consistent suction pressure from all angles, covering up to 6 sq.ft.

Motion Activation and Auto Delay Shutoff

Hands-free operation and a default 5-minute delay allow for a hassle-free shutdown.

Stir-Fry Mode with a Power Boost

Provides an extra power boost to effectively manage heavy smoke and cooking odors, ensuring a clean kitchen with its high power 1100 Max Equiv.CFM**.



*This feature is available with any FOTILE cooktop that features Sync Connect.

**FOTILE Equivalent CFM is a higher CFM rating due to our filterless technology that combines WhisPower Motors and Capture-Shield design. By utilizing this technology, FOTILE applies the Coanda Effect by accelerating smoke extraction and grease separation, and increasing our Capture Efficiency. This enables FOTILE to cover a larger cooktop surface (6 sq.ft.) and achieve a 95% oil filtration rate, and 98% odor reduction rate, keeping your kitchen smoke free and smelling fresh.

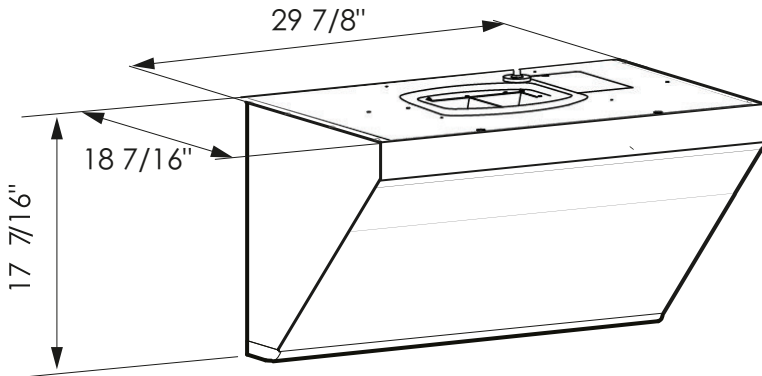
JQG7507

30-inch Slant Vent Series Range Hood

FOTILE

A BREATH OF FRESH ENGINEERING®

Product Dimensions

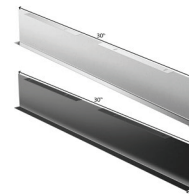


Product Dimension / Weight

Overall Width (inches)	29 7/8"
Overall Height (inches)	17 7/16"
Overall Depth (inches)	18 7/16"
Net Weight (approx.)	64.6 lbs.
Gross Weight (approx.)	78.3 lbs.

Accessories (Optional)

Decorative Plate	4" / 6"
------------------	---------



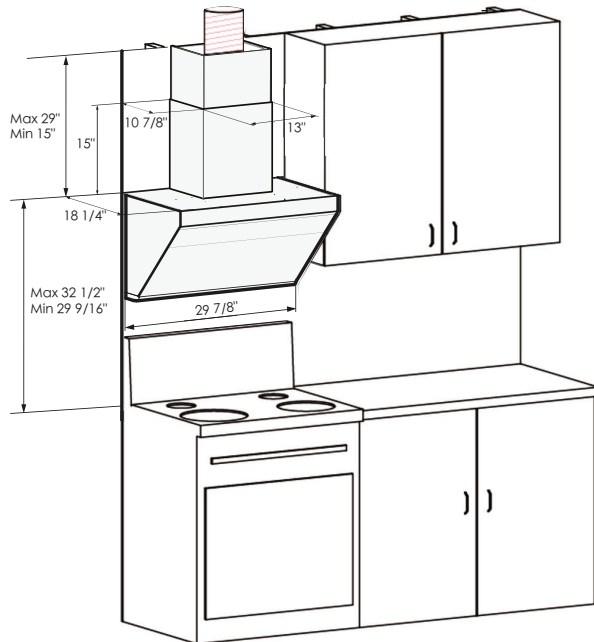
Stainless steel or black color for adjusting under cabinet installation height

Ceiling Decorative Cover	8' / 9' / 10'
--------------------------	---------------

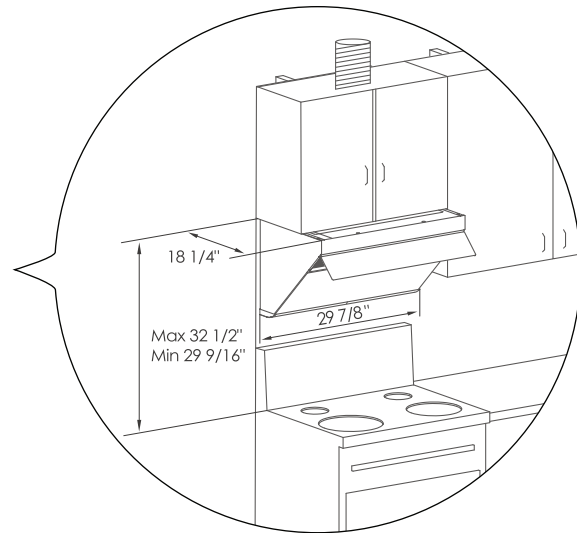


Extension decorative cover for wall-mount installation, suitable for 8-10ft ceilings

Installation Dimensions



Wall-Mount Installation



Under-Cabinet Installation

Accessories: To purchase FOTILE accessories and parts, please visit us at ca.fotileglobal.com or call 1(844)315-0315.

Notes: All height, width, and depth dimensions are shown in inches. FOTILE reserves the absolute and unrestricted right to change product materials and specifications at any time without notice. Consult the product's installation instructions for final dimensional data and other details prior to installation.

Warranties: Please see the user manual or FOTILE website for the statement of limited warranty.

For more information on our entire line of products: visit ca.fotileglobal.com or call 1(844)315-0315.

©2021 FOTILE Canada. All rights reserved. FOTILE is a registered trademark of FOTILE Group.