

FOTILE

Installation Guide

Please keep it properly
for future reference

Please read this manual
carefully before using the
product

In-sink dishwasher

SD2F-P5
SD2F-P5L

Manual chapters

Dear customer,
 Thank you for purchasing the FOTILE in-sink dishwasher exquisitely manufactured for you by FOTILE. Please read this guide carefully before installation. If you have any questions, please call FOTILE at service hotline.

Table of contents 1
 Safety precaution 2
 Installation requirements 3
 Installation checklist 4
 Product packing list 4
 Installation supporting materials 5
 Installation tools 6
 Installation 7
 Product dimensions 7
 Installation steps 7

I. Safety precaution

To prevent personnel injuries and property damages, please strictly abide by the following important safety precautions, and use the product properly after reading the contents hereof fully and carefully.

1. For the installation, professional plumbers with basic mechanical, electrical and plumbing skills are required.
2. Correct installation is the installer's responsibility. Product failure caused by improper installation will not be covered by FOTILE's warranty.
3. Before installation, the power supply must be cut off to avoid electric shock.
4. It is strictly prohibited to wet power cords, connectors and other electrical parts, which, if wet, may cause electric shock or other accidental injuries.
5. Please do not modify, stretch, knot or put any heavy objects on the power cord. Otherwise, the power cord may be damaged, causing accidents such as electric shock and fire.
6. Do not touch the power cord or electrical parts with wet hands, otherwise electric shock may occur.
7. The power cord connection must be grounded reliably to ensure safety. If there is no grounding wire, please ask a certified electrician to connect grounding wire, which must not be connected to gas tanks, water pipes, lightning rods or telephone lines. Poor grounding may cause electric shock and other accidents.
8. To avoid hazards, the damaged power cord must be replaced by the after-sales service personnel of FOTILE or professionals.
9. The power-supply receptacle for the appliance shall be installed in a cabinet or on a wall adjacent to the undercounter space in which the appliance is to be installed.
10. There shall be an opening through the partition between the compartments specified in (9) that is large enough for the attachment plug to pass through. The longest dimension of the opening shall not be more than 38 mm (1.5 in).
11. For the edge of opening specified in (10), if a wooden partition is adopted, the edge shall be smooth and round, and if a metal partition is adopted, an edge protector or other method shall be used to protect the power cord from being scratched.
12. Care shall be exercised, when the appliance is installed or removed, to reduce the likelihood of damage to the power-supply cord.
13. When moving the product, pay attention to the sides and corners of the tank to avoid cuts. Please wear protective gloves.
14. The water inlet of FOTILE in-sink dishwasher must be connected to **cold water**. Connecting to hot water will affect the fruit and vegetable washing function.
15. Do not let children play with plastic film and packaging boxes, as this may cause suffocation. Please keep packaging materials away from children, which are not toys.
16. The table on which the product is installed must be able to support a load of 2,201bs (100Kg), and the entire machine must be firmly fixed onto the table.
17. This product is embedded in the cabinet, and the cabinet material used to install the product must be temperature and moisture resistant.
18. When installing the product, the function tank should be kept at a distance of more than 11 13/16" (300mm) from the gas meter and pipeline, and the junction box should be kept at a distance of more than 5 15/16" (150mm) from the gas meter and pipeline.
19. If specified otherwise by local laws and regulations, the drain pipe shall be connected accordingly.
20. After installation, please keep this guide properly for future reference.

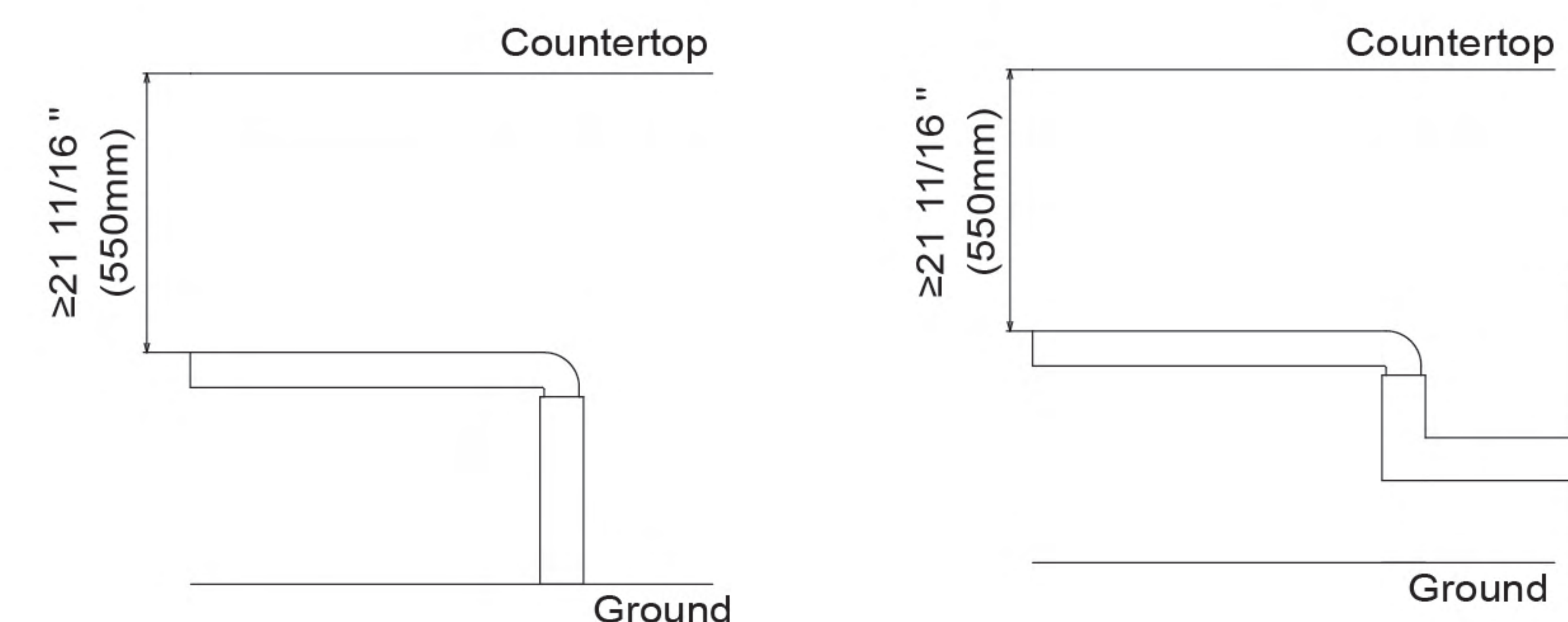
II. Installation requirements

To avoid personal injury and property damage to the user and others, read and follow all safety instructions and warnings.

1. There must not be any gas pipes, gas meters or other items that may interfere with the function tank and drain pipes in the cabinet.

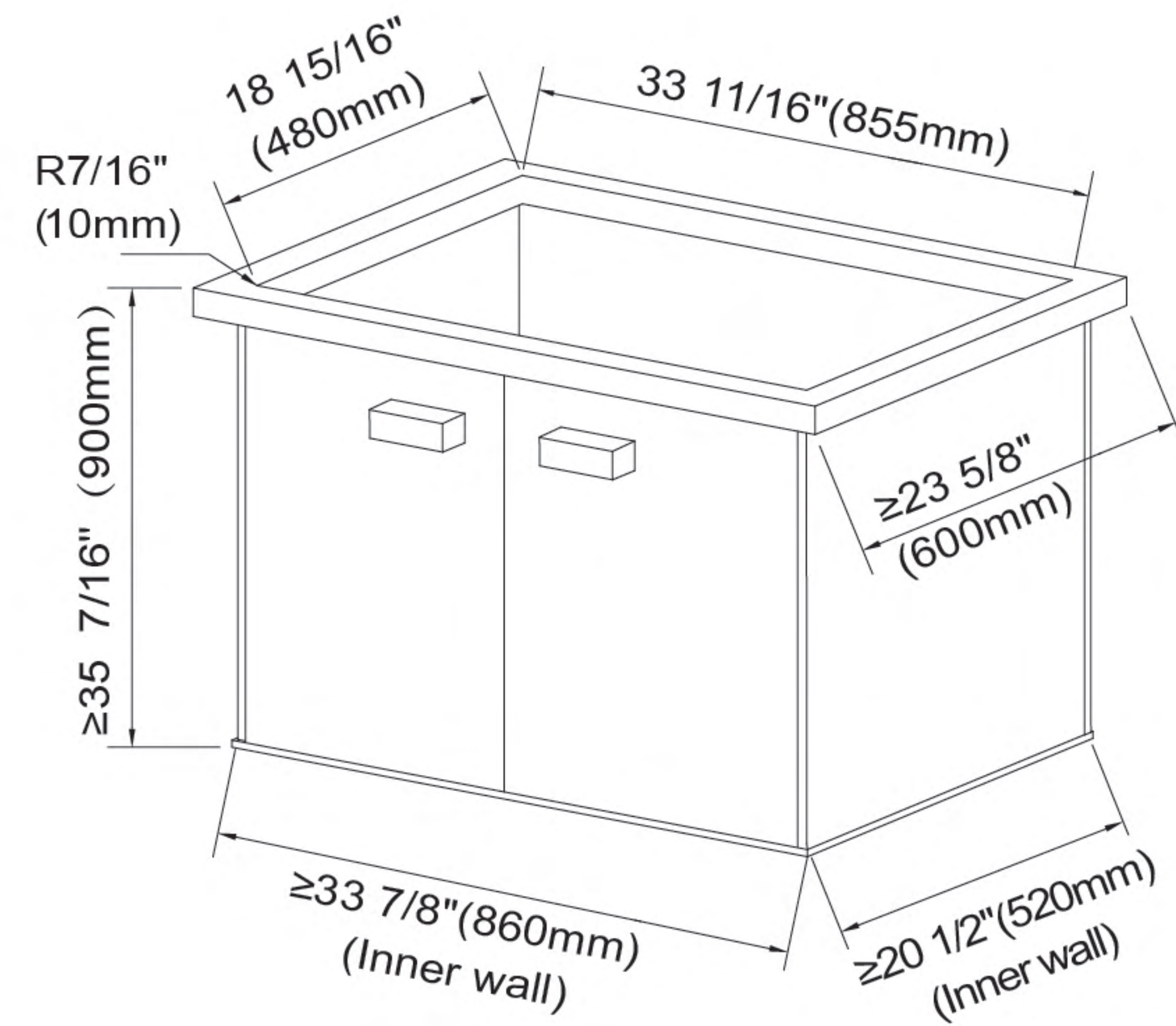
Pipe and device		Clearance from gas pipeline	
		Parallel laying	Cross laying
Electrical device	Insulated wires or cables for surface installation	9 7/8"(250mm)	3 15/16"(100mm)
	Exposed wires with voltage less than 1000V	39 3/8"(1,000mm)	39 3/8"(1,000mm)
	Switchboard or distribution box, electric meter	11 13/16"(300mm)	Not allowed
	Electrical sockets, power switches	5 15/16"(150mm)	Not allowed

2. There should be water loops and electrical circuits arranged inside the cabinet (or adjacent cabinets).
3. There should be a 120V/60Hz power supply, and wires with a diameter of 14AWG or more must be laid separately and grounded reliably.
4. The installed water loop shall meet the required pressure: 20.3 psi-145.04 psi
5. Drain pipe height requirement: The height from the top of the installation countertop to the drain pipe line should be greater than or equal to 21 11/16" (550mm)



6. Requirements for countertop opening and cabinet inside dimensions.

Countertop opening dimensions			Cabinet inner wall size		
Length	Width	R corner	Length	Width	Height
33 11/16"	18 15/16"	7/16"	≥33 7/8"	≥20 1/2"	≥35 7/16"
855mm	480mm	10mm	860mm	520mm	900mm



7. When installing the dishwasher, you must consider whether you can take the entire machine out from the countertop for later maintenance.
8. Leave at least 18 1/2" of clearance on the countertop so the dishwasher door can be opened properly.

■ Installation checklist

Product packing list

Use and Care Manual		1
Installation Guide		1
Warranty card		1
Dish rack		1set
Drain pipe assembly		1
Overflow cross assembly		1
Overflow bellows		1
Rubber pipe		1

Vegetable basket		1
Clamp		5
Spray arm		1
Filter assembly		1set

Recommended installation supporting materials (please purchase the materials according to the actual installation requirements)

✓: Required ×: Not required ○: Optional

Material	Description and specifications	Quantity	How do you connect to your plumbing?	
			Standard Post Sink Strainer in Stainless Steel 9/16"	Kitchen Sink Disposal
	Faucets	1		
	Soap dispenser	1	✓	○
	Air gap	1	○	○
	Stainless Steel Universal Dishwasher Supply Line 3/8"	1	✓	✓
	Right-angle adaptor 1-1/2"	1	✓	✓
	Slip Joint Nut 1-1/2"	1	✓	✓
	Tee pipe Sewer and Drain Hub x Hub x Hub Tee 1-1/2 in	1	○	○
	Plastic P-Trap 1-1/2"	1	✓	✓

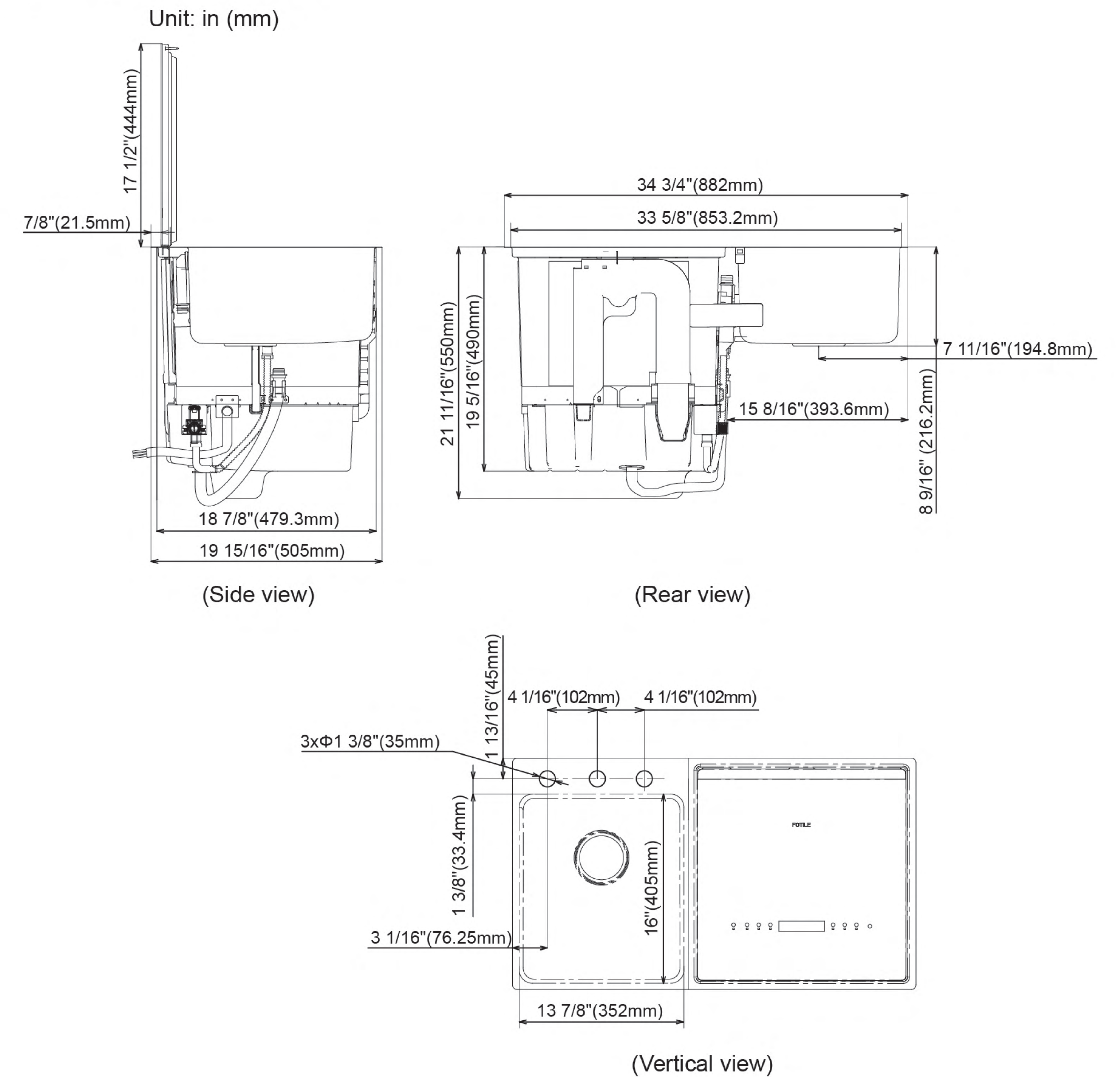
Recommended installation tools

(Please prepare the corresponding tools according to the actual installation conditions)

Material	Specifications	Quantity
	PC-1250 Single Stroke Plastic Pipe Cutter	1
	Regular Flat Head screwdriver	1
	Self Adjusting Groove Joint Pliers	1
	Lock Nut Wrench	1
	Glue gun + waterproof and mildew proof glass cement	1
	Glass cement scraper	1
	Tape Measure	1

III. Installation

Product dimensions



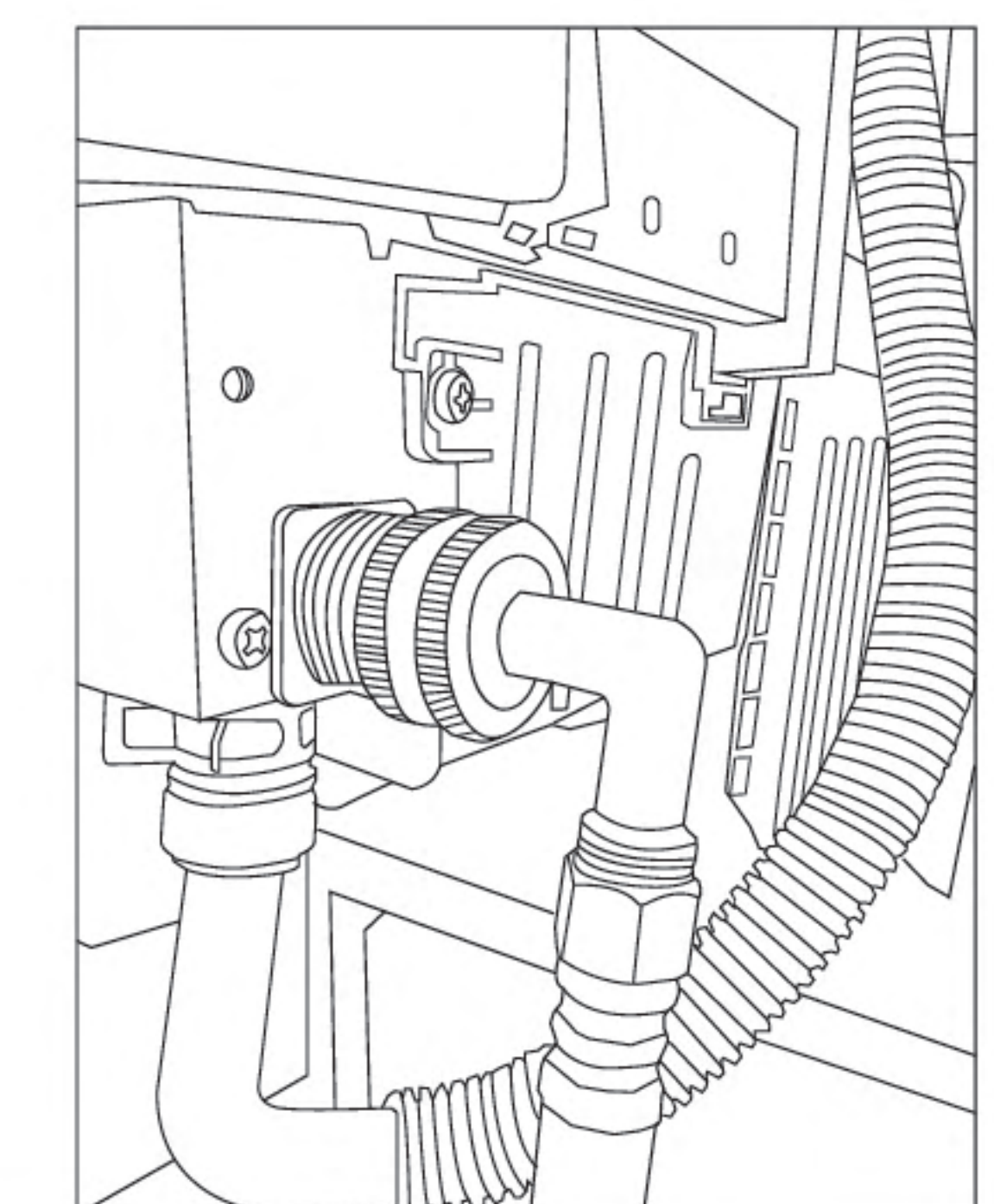
Installation steps

Step 1: Open the box

Take the machine out of the packaging box and place it steadily.

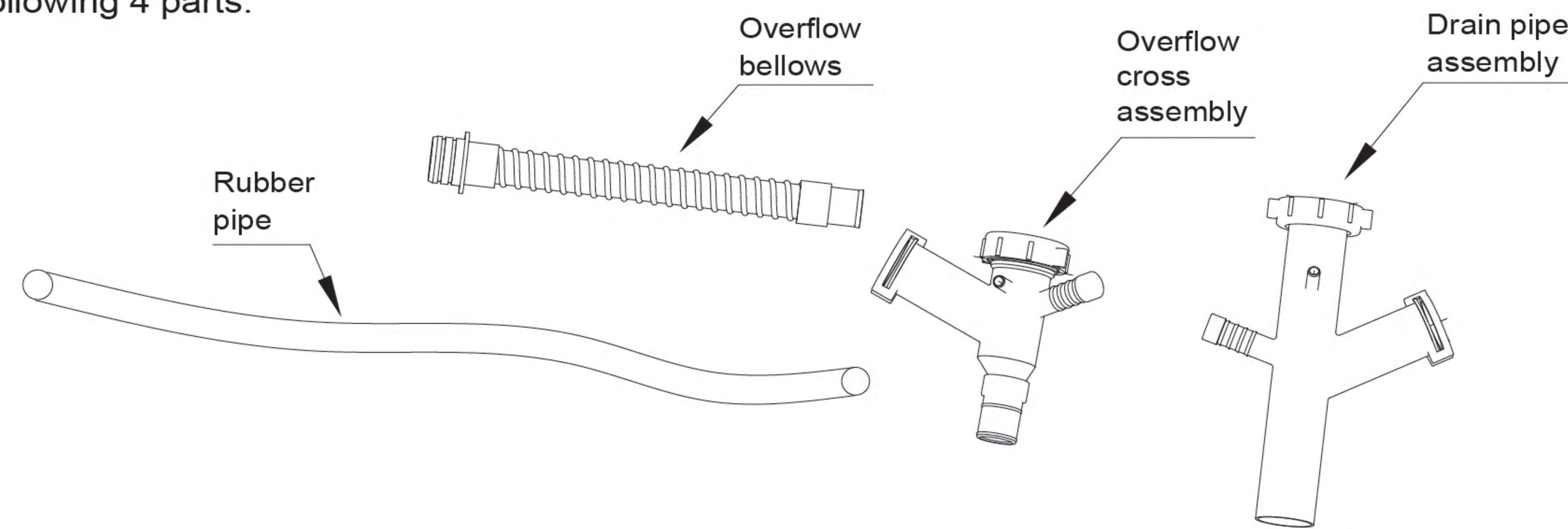
Step 2: Install the water inlet pipe

Connect the 3/8" water inlet pipe to the water inlet valve and tighten it.

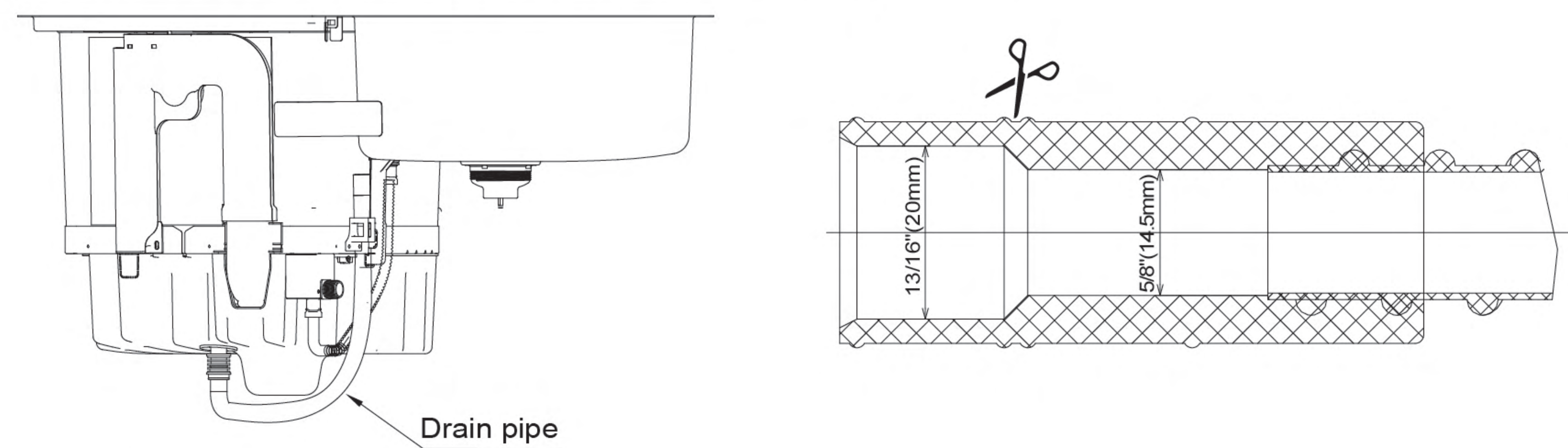


Step 3: Install a drainer or food waste disposer

Take out the drain pipe components from the accessory bag in the product packaging box, including the following 4 parts.



Note: The dishwasher drain pipe joint is a variable diameter structure, with an inner diameter of 13/16" (20mm) at the front end and 5/8" (14.5mm) at the rear end. When using the rear end for connection, the front end of the connector can be cut off.

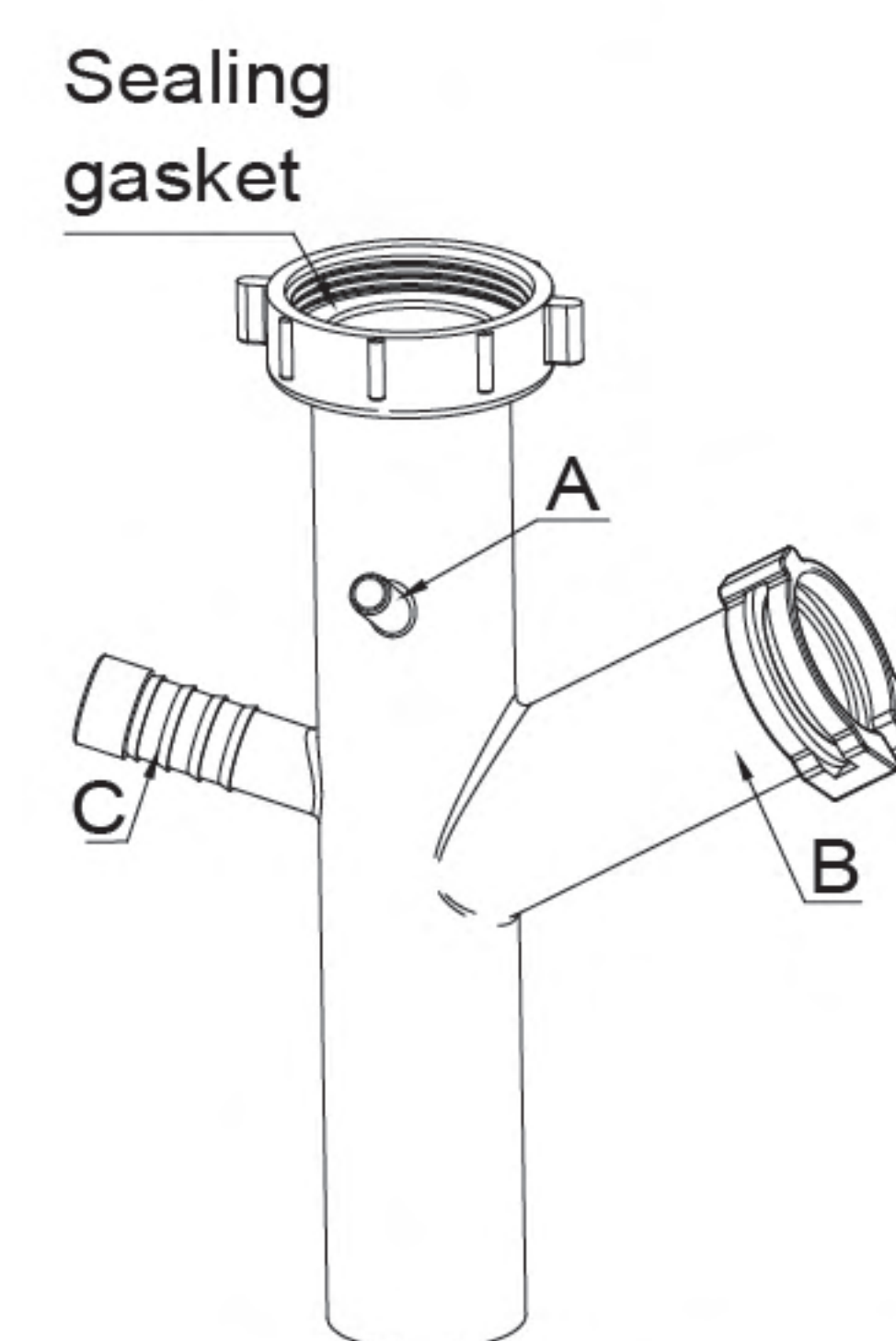


Installation methods in different scenarios

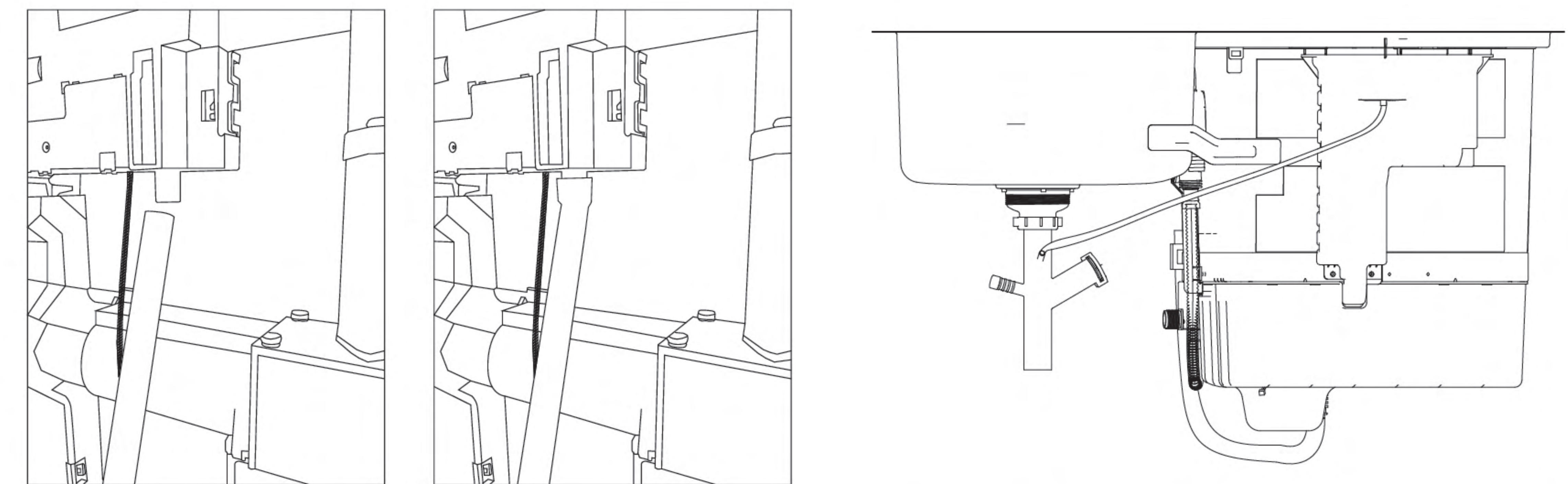
Option A: No food waste disposer - No air gap Option B: No food waste disposer - With air gap
 Option C: With food waste disposer - No air gap Option D: With food waste disposer - With air gap
 No domestic dishwashing machine shall be directly connected to a drainage system or food waste disposer without the use of an approved dishwasher air gap fitting on the discharge side of the dishwashing machine. Listed air gaps shall be installed with the flood-level (FL) marking at or above the flood level of the sink or drainboard, whichever is higher.
 Attention: If there is a local UPC requirement, select an approved dishwasher air gap fitting and follow Option B or Option D.

■ Option A: No food waste disposer- no air gap

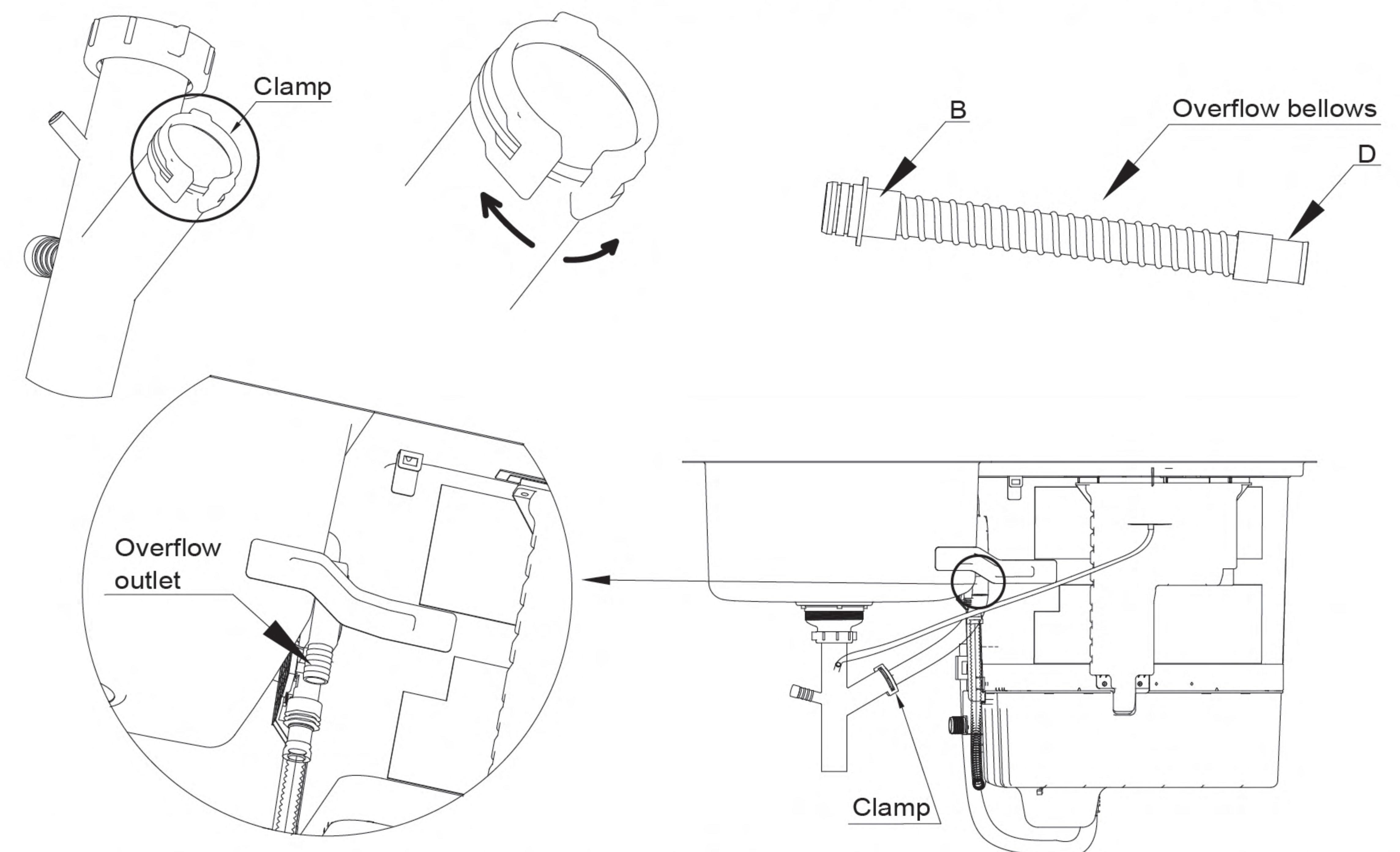
1. Install the drainer correctly on the sink, make sure it is tightly installed and leak-proof.
2. Tear off the white tape on the head of the drain pipe assembly, make sure there is a sealing gasket on the drain pipe assembly and then install it on the drainer, make sure the connection is tight and leak-proof.



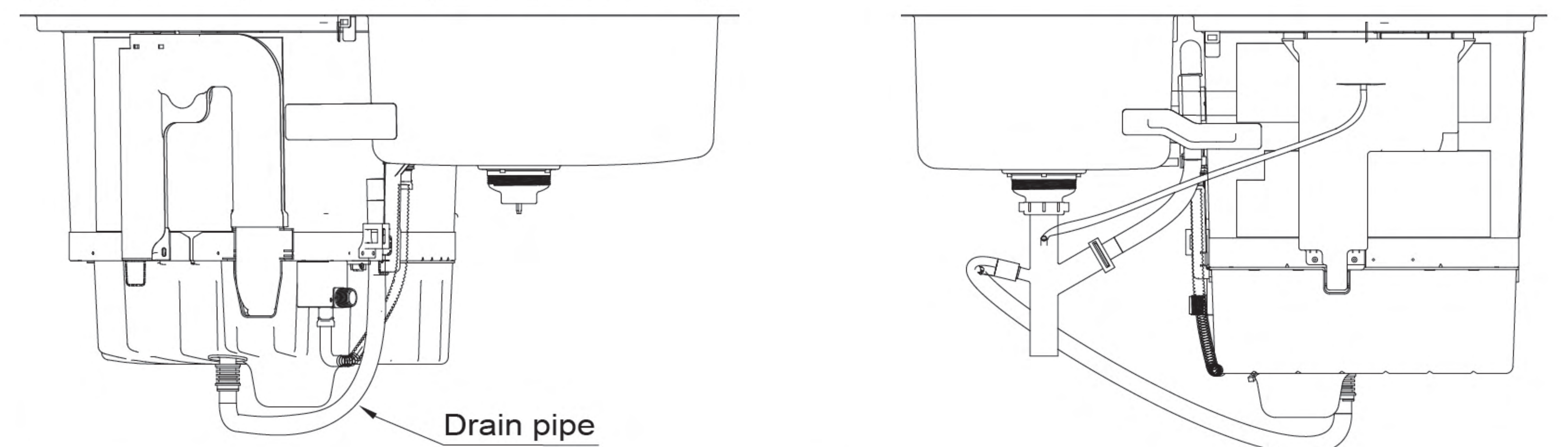
3. Connect one end of the rubber pipe to the drip hole below the door lock, and the other end to the inlet of the drain pipe assembly A.



4. Remove the clamp of Inlet B of the drain pipe assembly in the direction of the arrow shown in the figure below, first insert one end of the overflow bellows Connector D into the clamp, then insert it into the dishwasher overflow outlet, and tighten it with the clamp; insert the overflow bellow Connector B into Inlet B of the drain pipe assembly and lock it with the removed clamp.



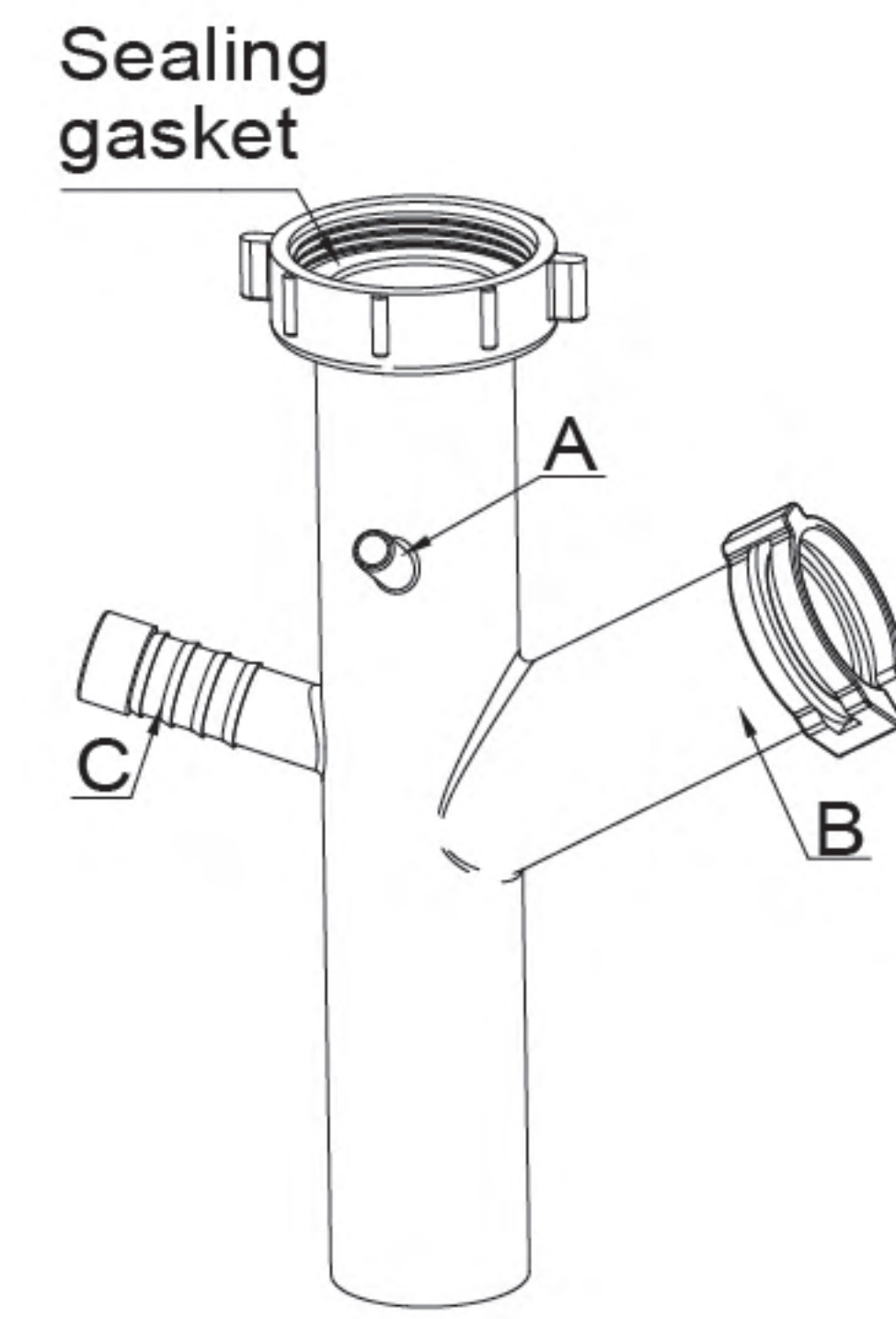
5. Remove the drain pipe from the fixing bracket of the machine, remove the sealing cover of Inlet C of the drain pipe assembly, put the clamp on the drain pipe joint, connect it to Inlet C of the drain pipe assembly, and clamp it with the clamp.



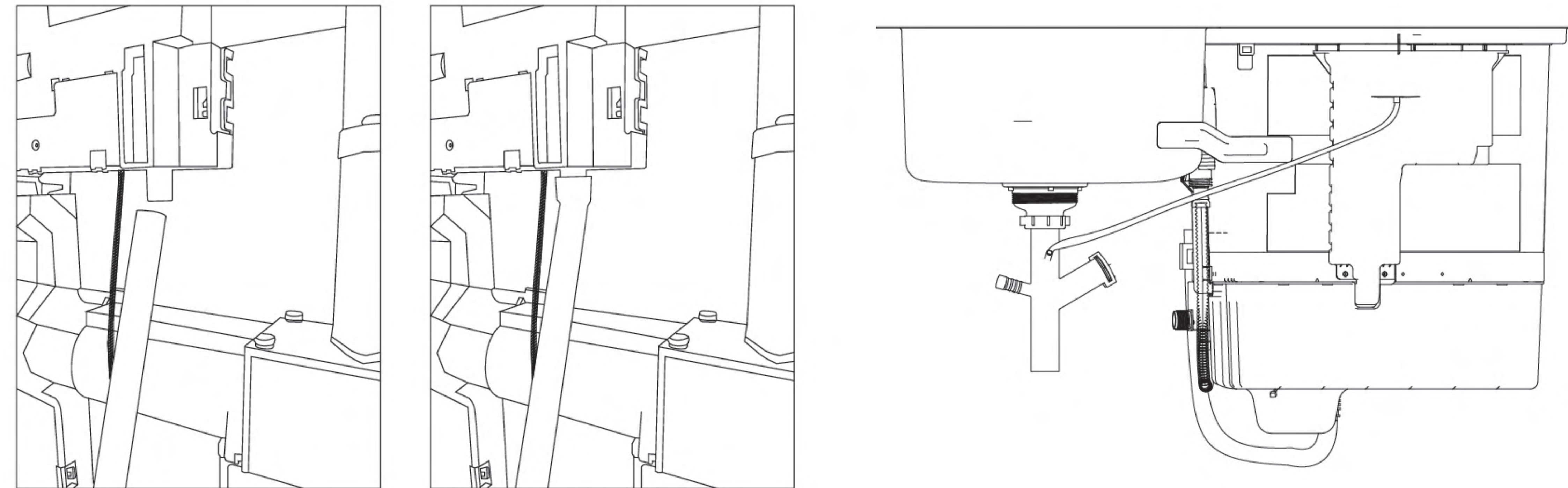
6. Complete the connection of the machine's own pipeline. Please connect the machine drain pipe assembly to the kitchen drain pipe according to the tank pipe connection requirements.

■ Option B: No food waste disposer- with air gap

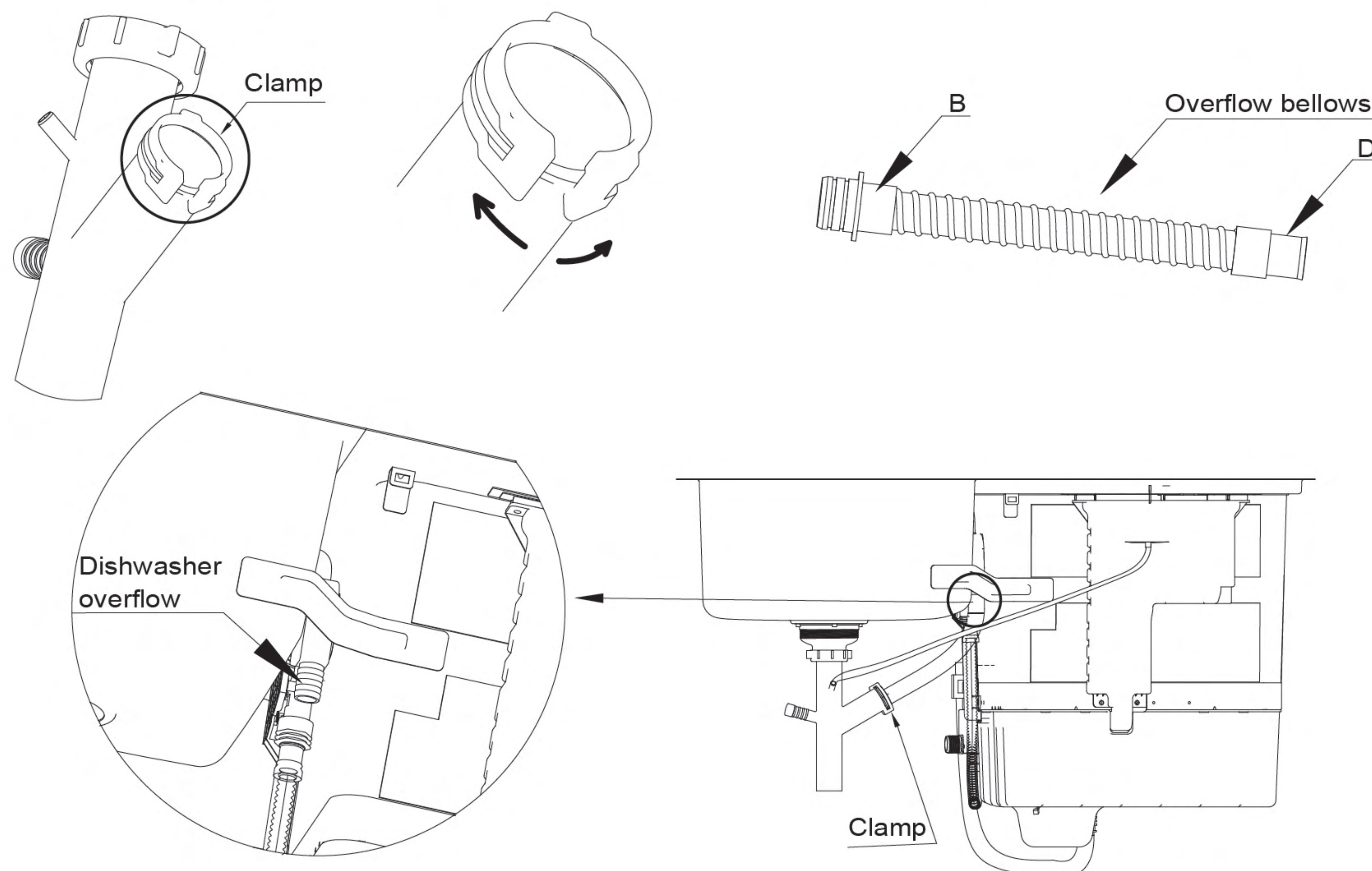
1. Install the drainer correctly on the sink, make sure it is tightly installed and leak-proof.
2. Tear off the white tape on the head of the drain pipe assembly, make sure there is a sealing gasket on the drain pipe assembly and then install it on the drainer, make sure the connection is tight and leak-proof.



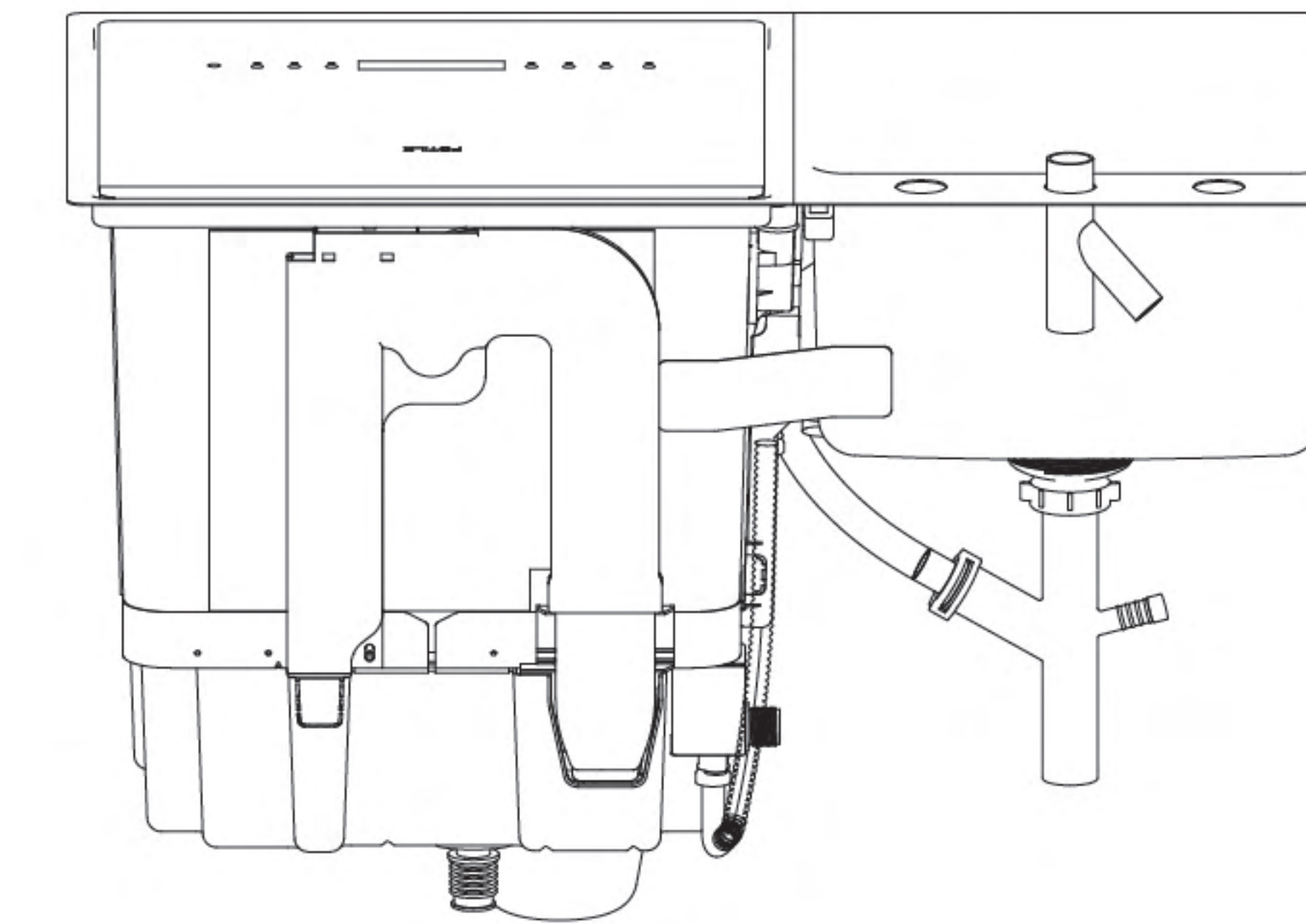
3. Connect one end of the rubber pipe to the drip hole below the door lock, and the other end to the inlet of the drain pipe assembly A.



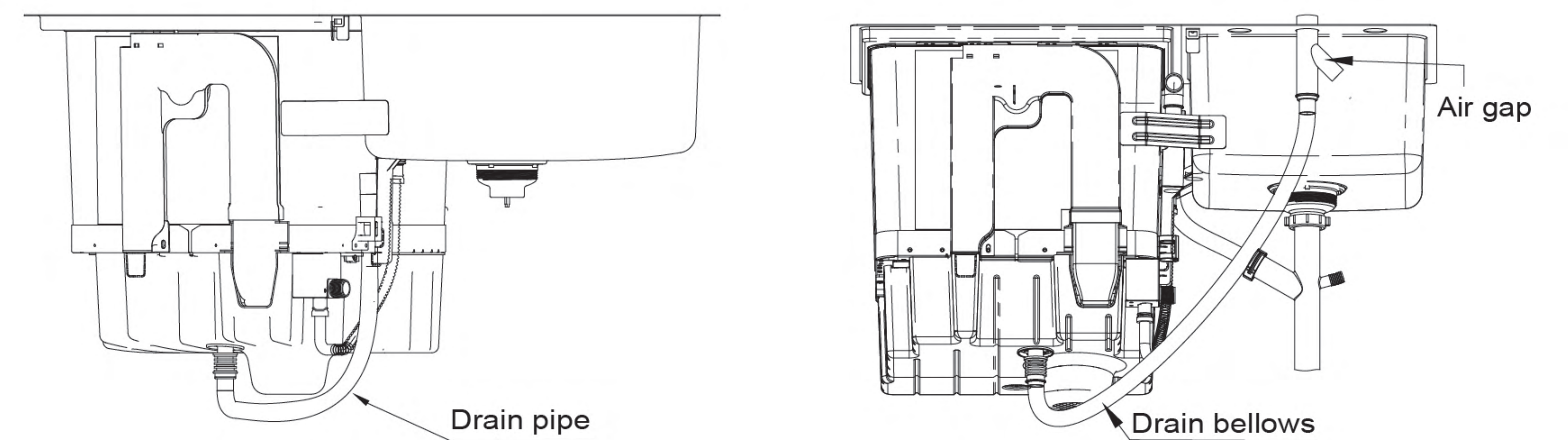
4. Remove the clamp of Inlet B of the drain pipe assembly, first insert one end of the overflow bellows Connector D into the clamp, then insert it into the dishwasher overflow outlet, and tighten it with the clamp; insert the overflow bellows Connector B into Inlet B of the drain pipe assembly and lock it with the removed clamp.



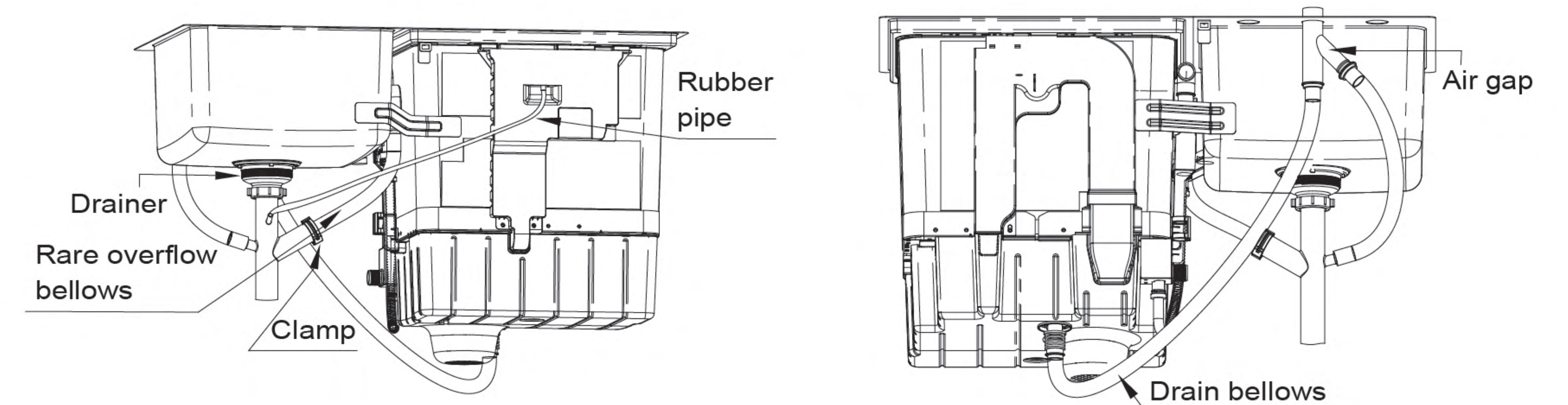
5. It is recommended to install the air gap in the position shown in the figure.



6. Remove the drain pipe from the fixing bracket of the machine, remove the sealing cover from the drain pipe assembly, put the clamp on the drain pipe joint, connect air gap and clamp it with the clamp.



7. Use the bellows provided for the air gap to connect the air gap to Inlet C of the drain pipe assembly. To make the connection tight, use a clamp to tighten the joint.



8. Complete the connection of the machine's own pipeline. Please connect the machine drain pipe assembly to the kitchen drain pipe according to the tank pipe connection requirements.

■ Option C: With food waste disposer- no air gap

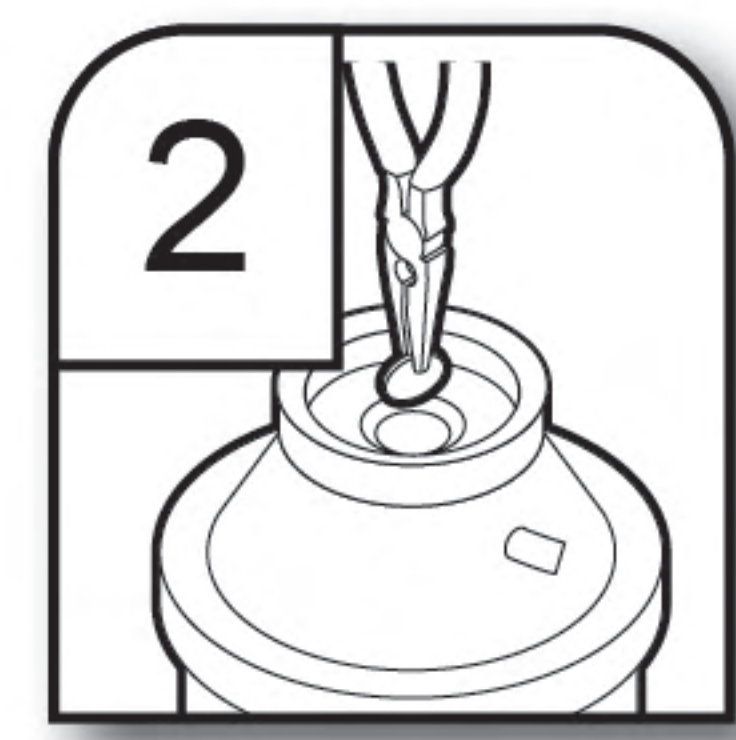
Tips: If you need to install a food waste disposer, it is recommended to install the product into the cabinet first and then install the disposer, which will be more convenient. Please refer to steps 4 to 6 for details.

1. Open the inlet of food waste disposer and take out the cover. Install the disposer correctly on the sink, make sure it is tightly installed and leak-proof.

NOTE: Remove the food waste disposer plug.

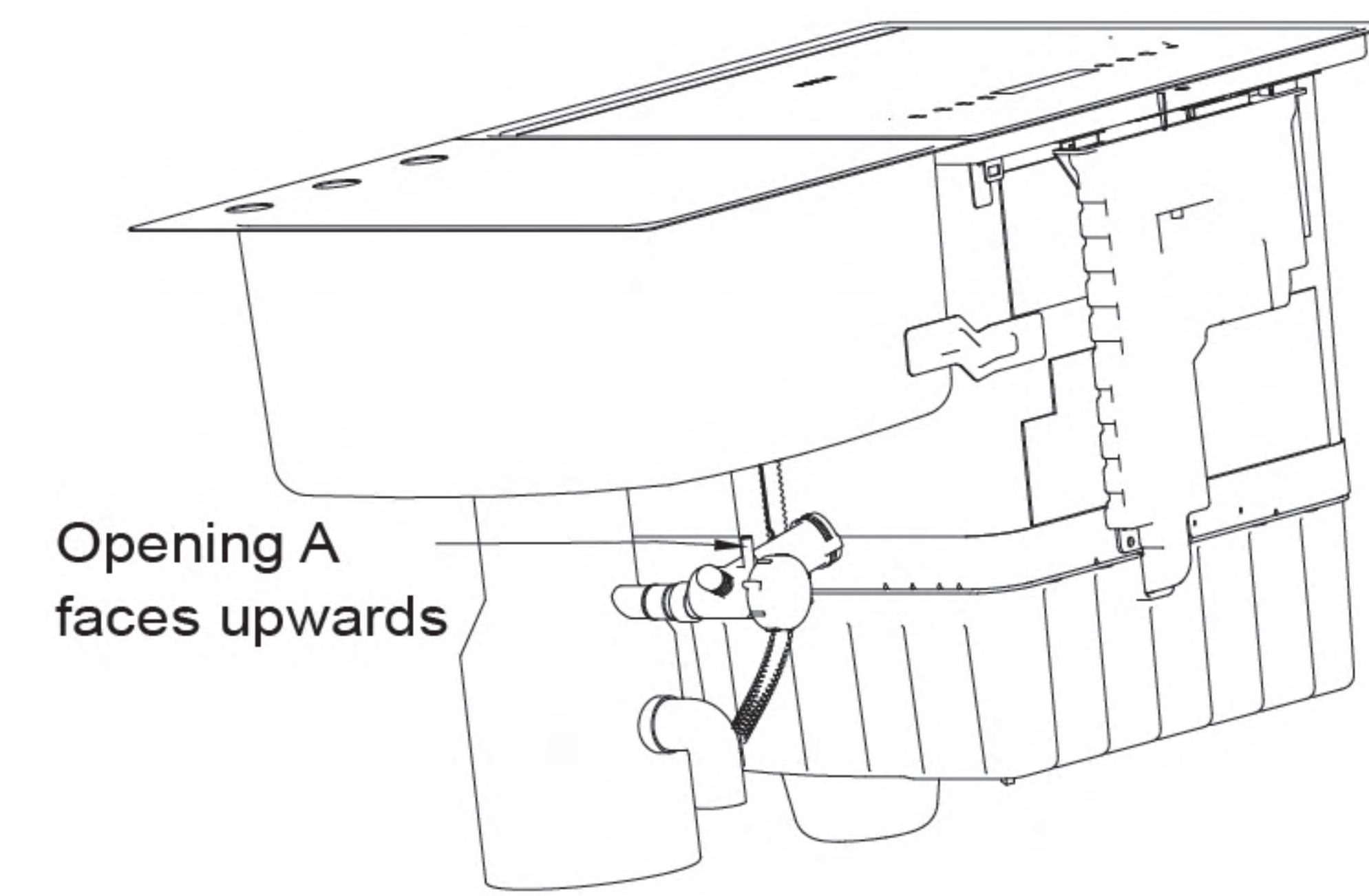
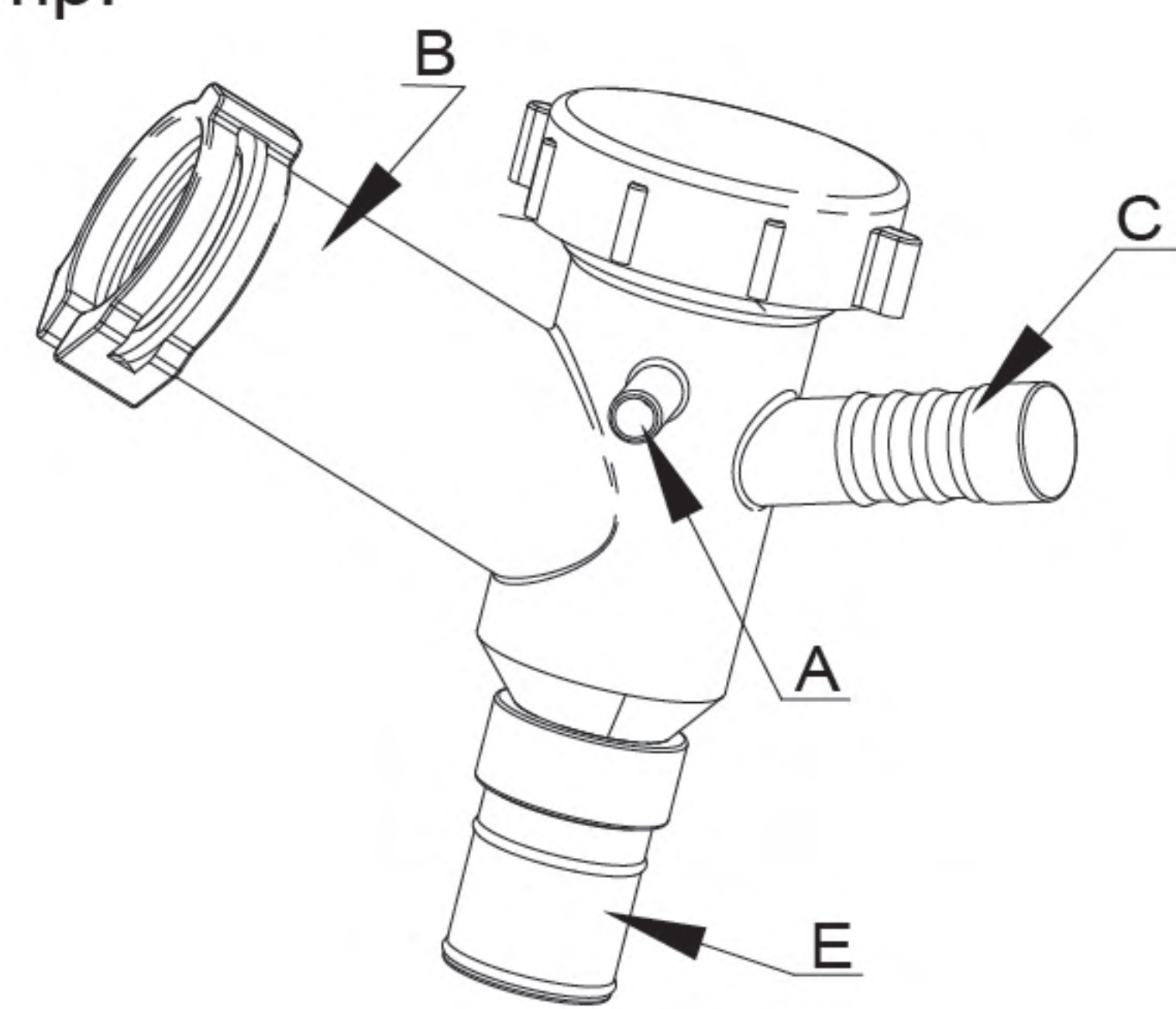


1. Use a hammer and screwdriver to open the food waste disposer inlet.

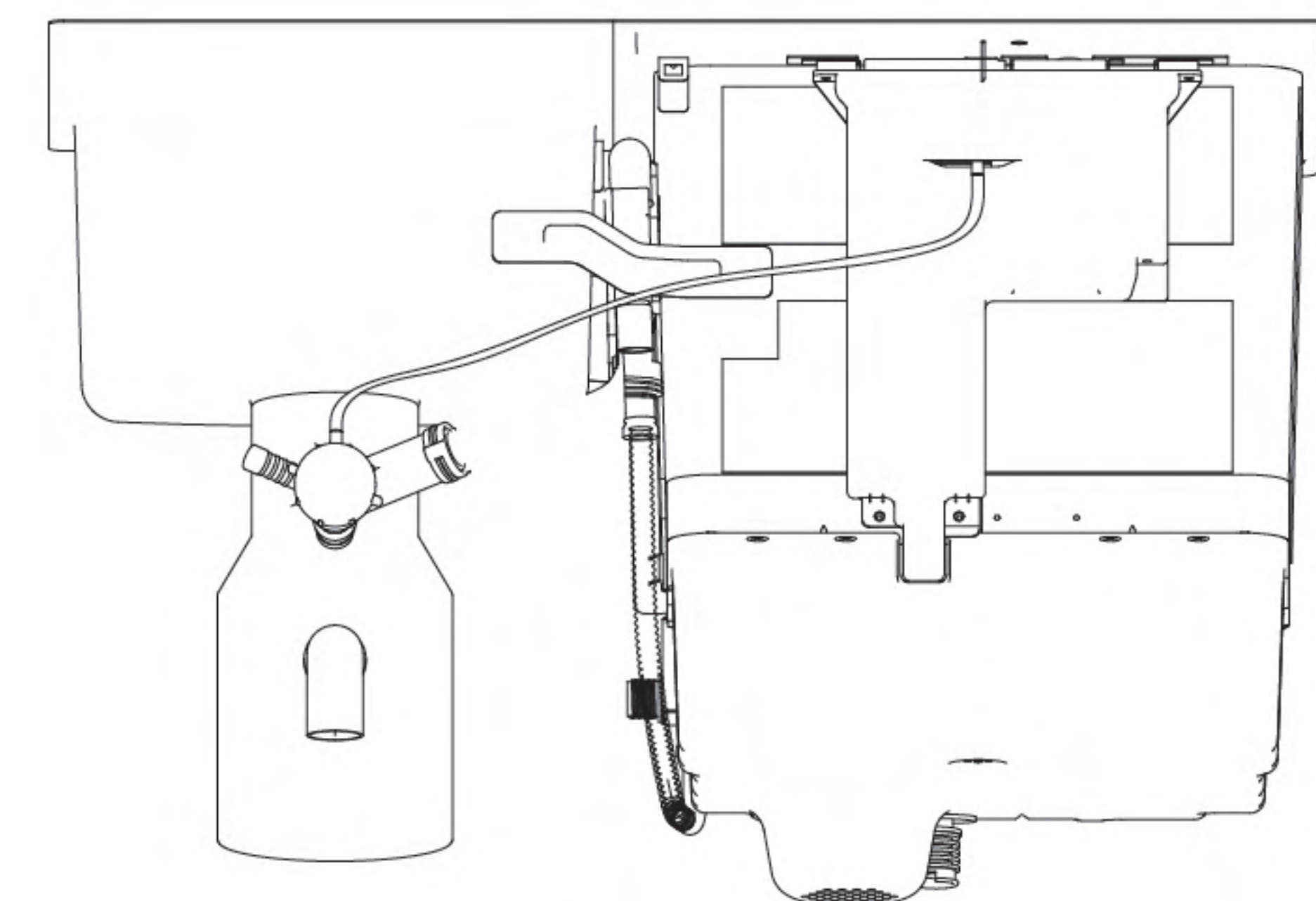
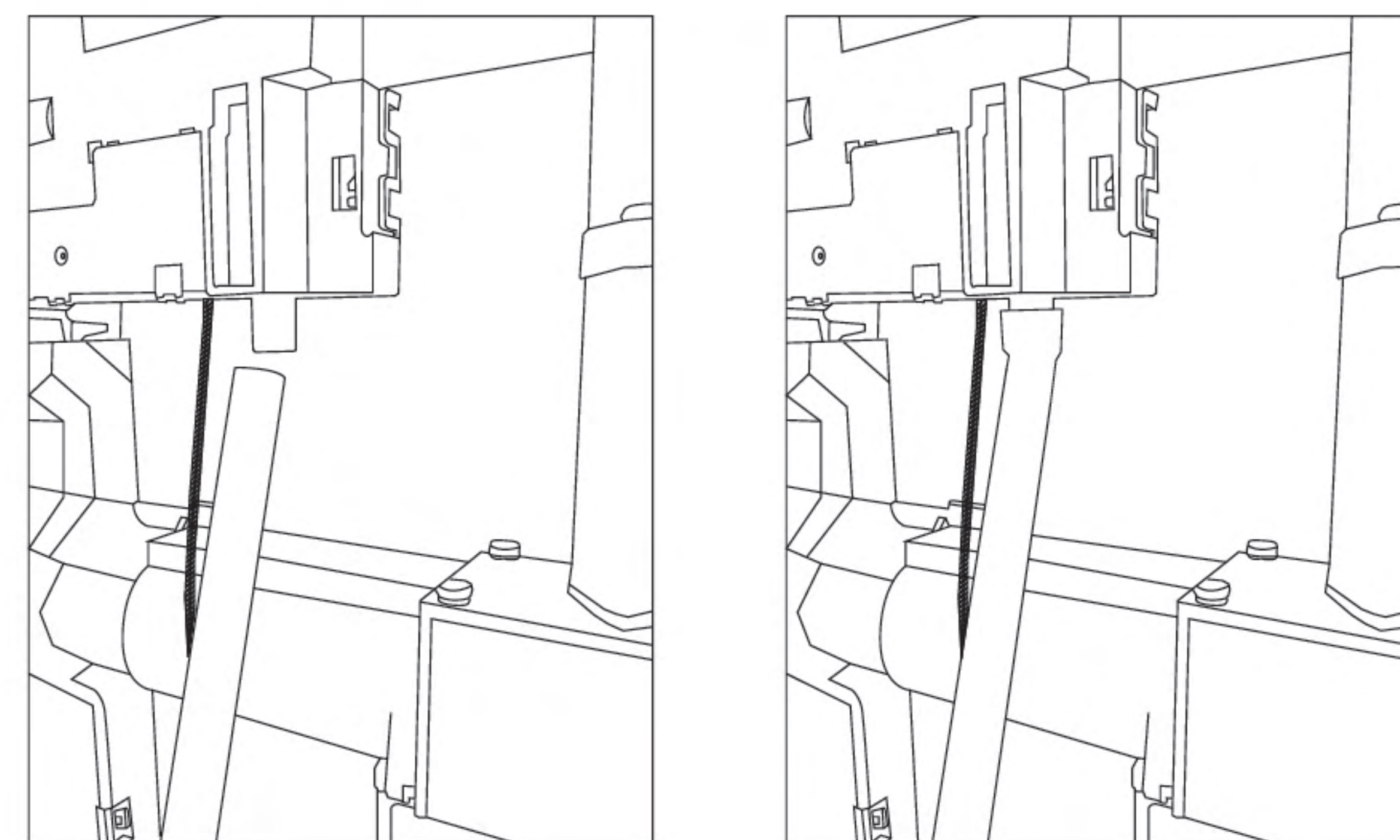


2. Use pliers to remove the food waste disposer cover.

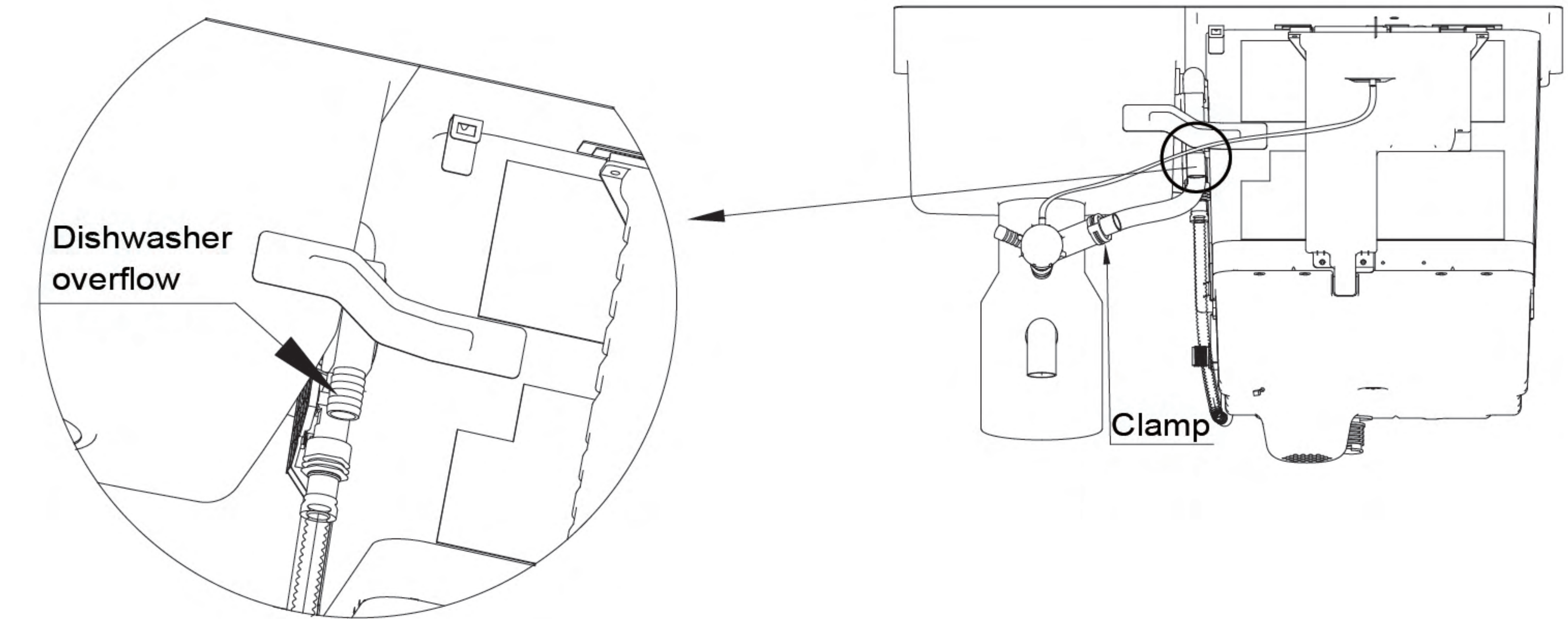
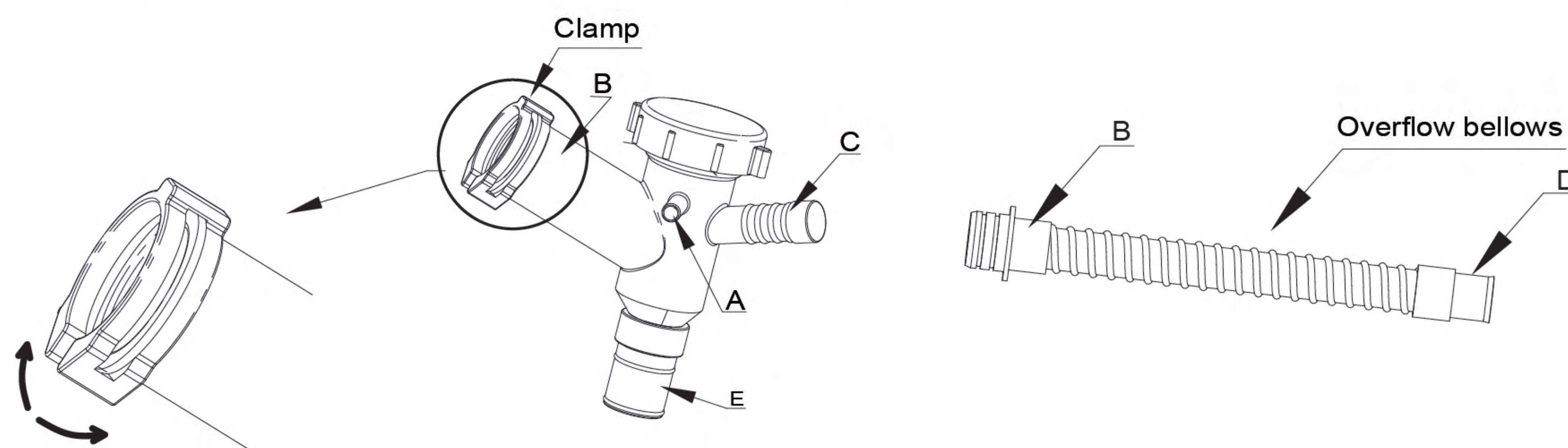
2. Put the rubber joint E of the overflow cross assembly into the clamp first, then connect it to the food waste disposer with Opening A facing upwards, as shown in the figure below, and tighten the clamp.



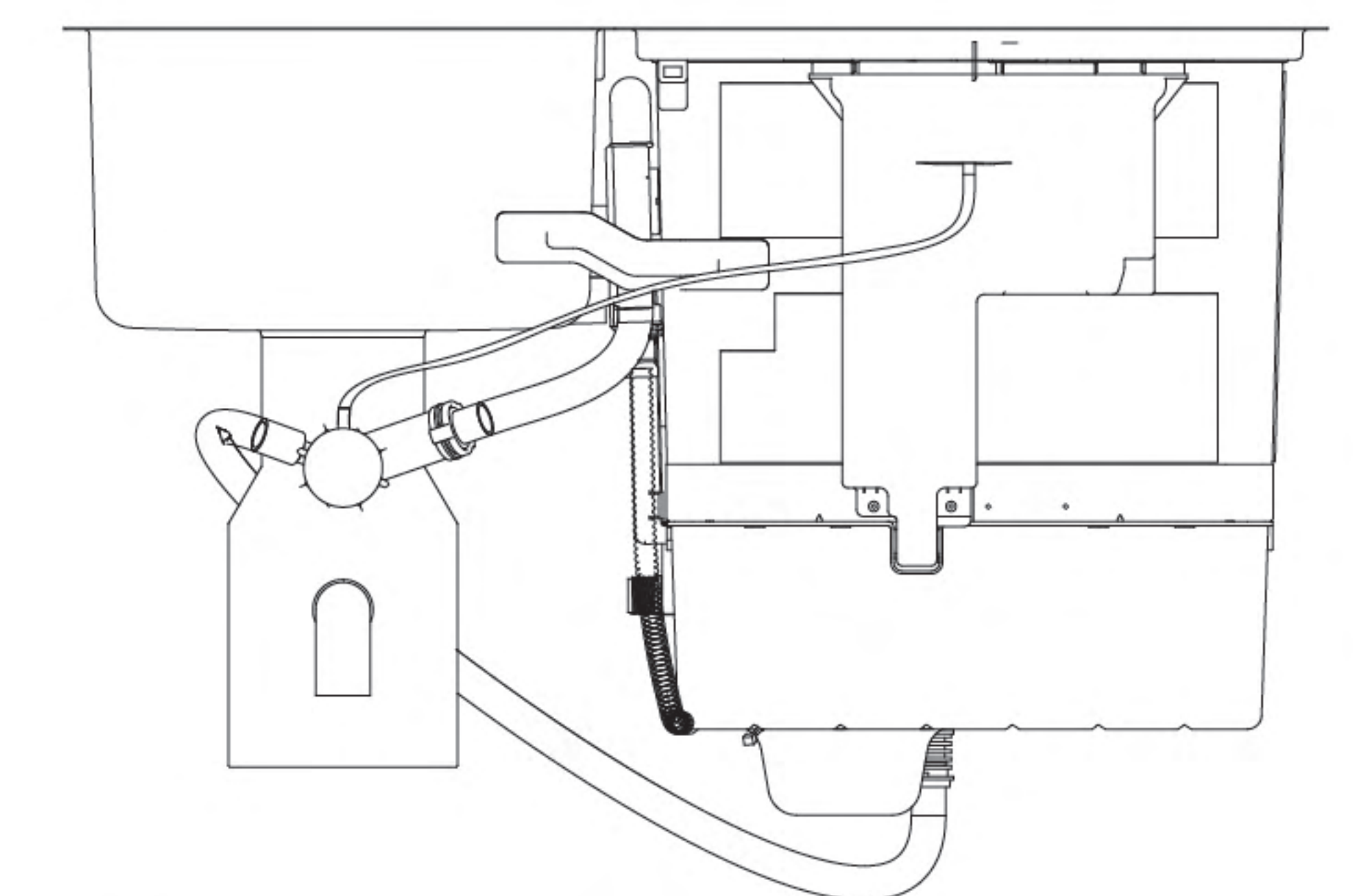
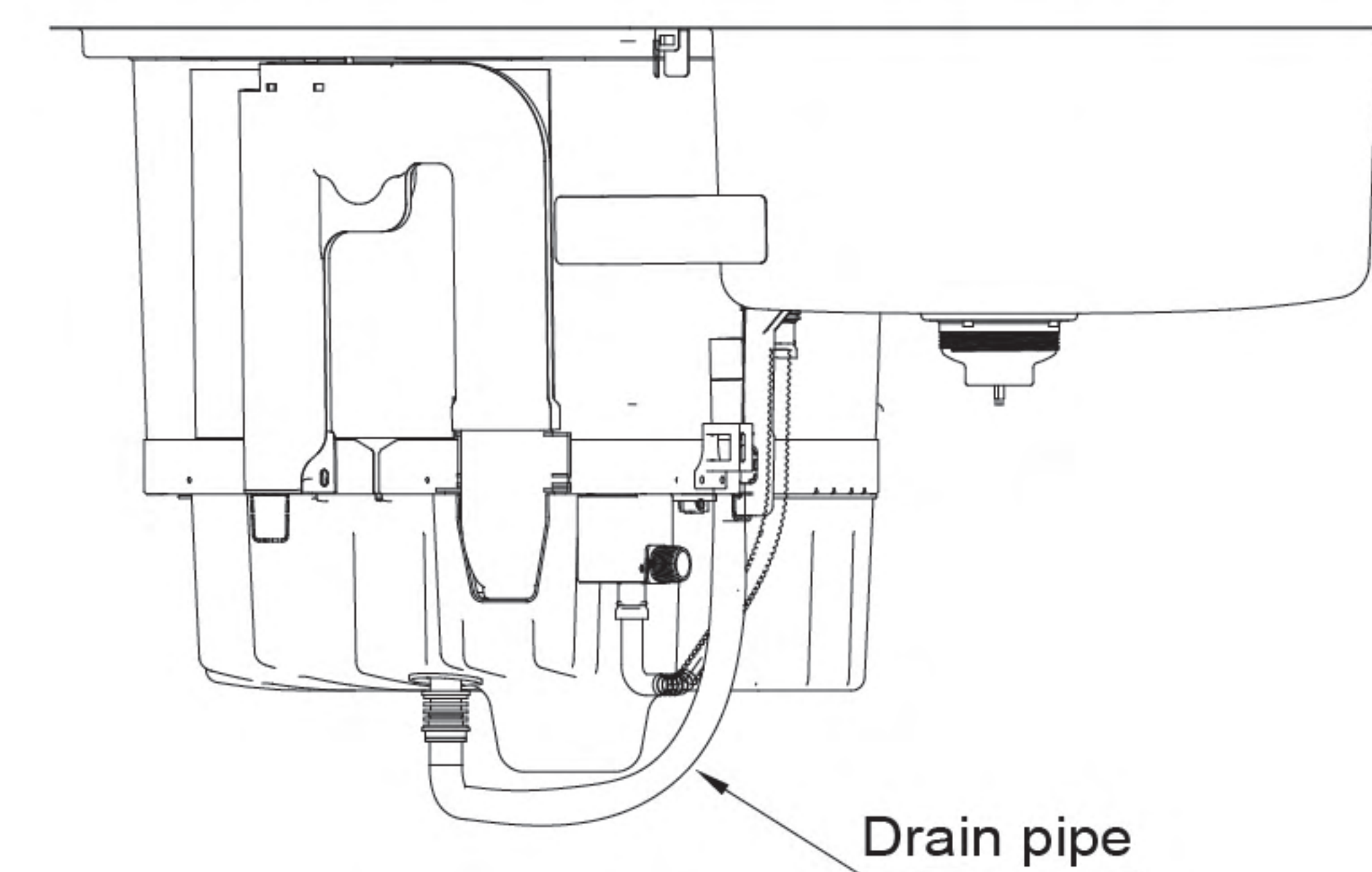
3. Connect one end of the rubber pipe to the drip hole below the door lock, and the other end to Inlet A of the overflow cross assembly.



4. Remove the clamp of Inlet B of overflow cross assembly in the direction of the arrow shown in the figure below, first insert one end of the overflow bellows Connector D into the clamp, then insert it into the dishwasher overflow outlet, and tighten it with the clamp; insert the overflow bellow Connector B into Inlet B of overflow cross assembly and lock it with the removed clamp.



5. Remove the drain pipe from the fixing bracket of the machine, remove the sealing cover of Inlet C of overflow cross assembly, put the clamp on the drain pipe joint, connect it to Inlet C of overflow cross assembly, and clamp it with the clamp.



6. Complete the connection of the machine's own pipeline. Please connect the machine drain pipe assembly to the kitchen drain pipe according to the food waste disposer pipe connection requirements.

■ Option D: With food waste disposer- with air gap

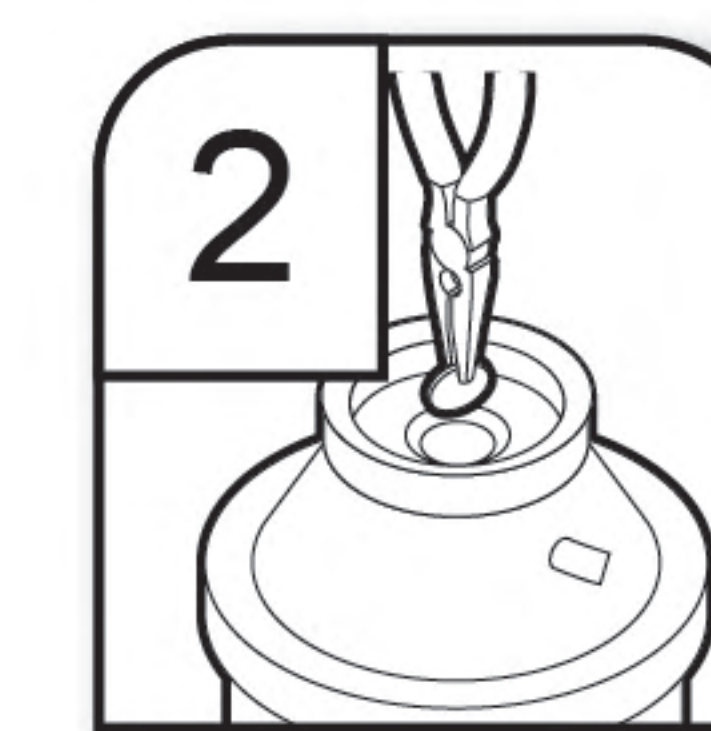
Tips: If you need to install a food waste disposer, it is recommended to install the product into the cabinet first and then install the disposer, which will be more convenient. Please refer to steps 4 to 6 for details. If you need to install air gap on the product, it is recommended that you install the air gap first and then install the product into the cabinet. For the installation of the air gap, refer to steps 5-7 below.

1. Open the inlet of food waste disposer and take out the cover. Install the disposer correctly on the sink, make sure it is tightly installed and leak-proof.

NOTE: Remove the food waste disposer plug.

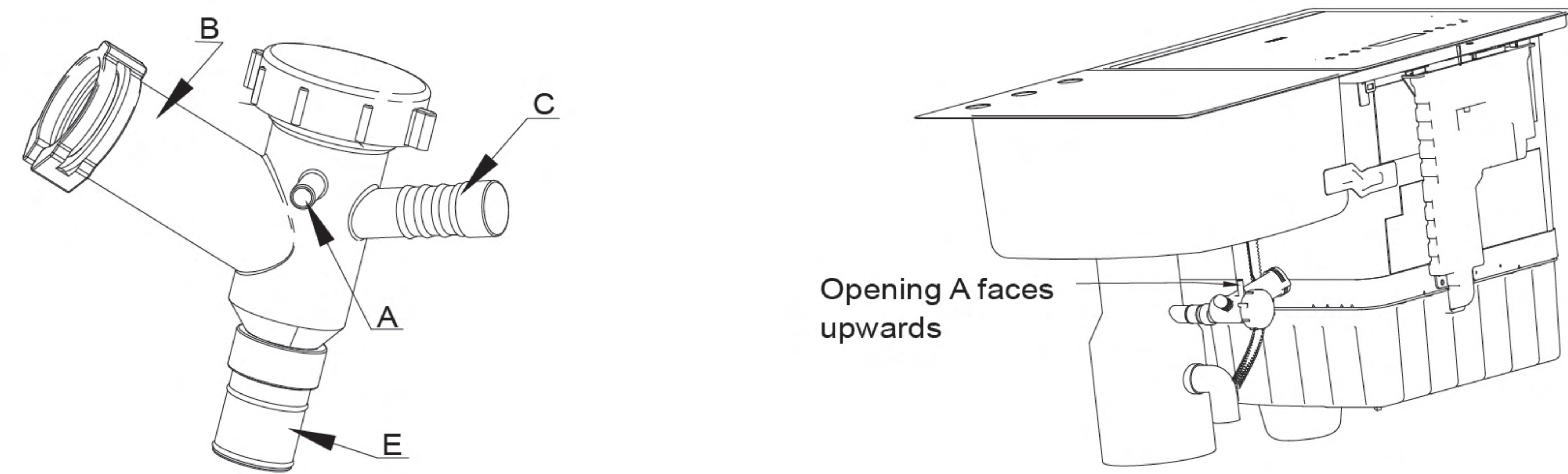


1. Use a hammer and screwdriver to open the food waste disposer inlet.

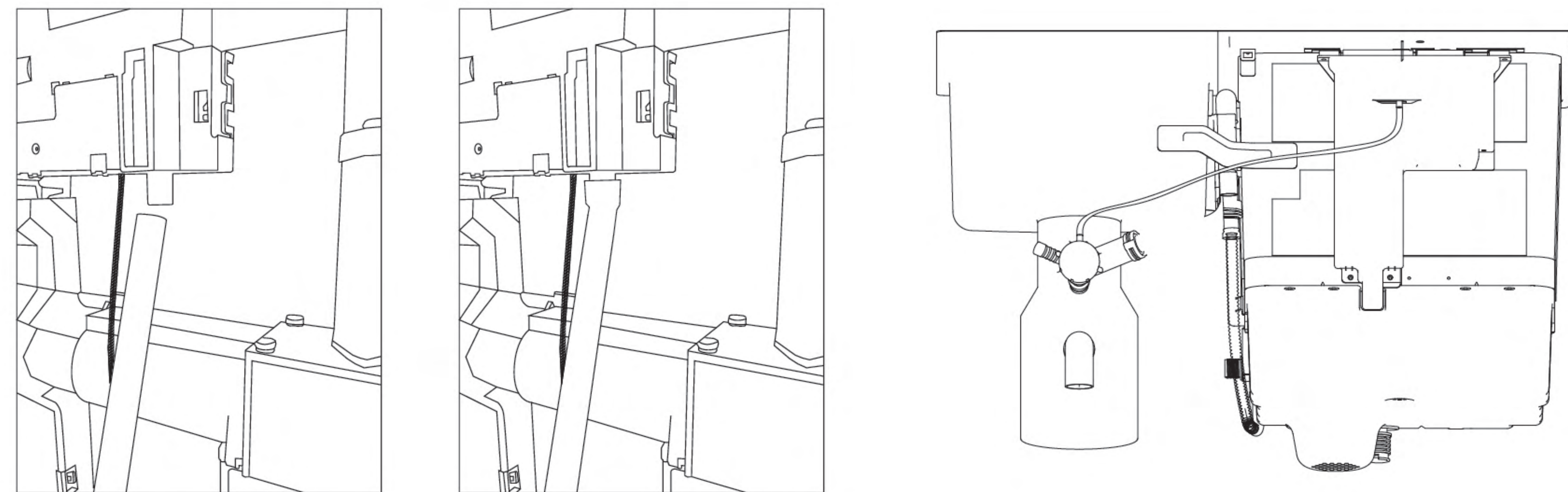


2. Use pliers to remove the food waste disposer cover.

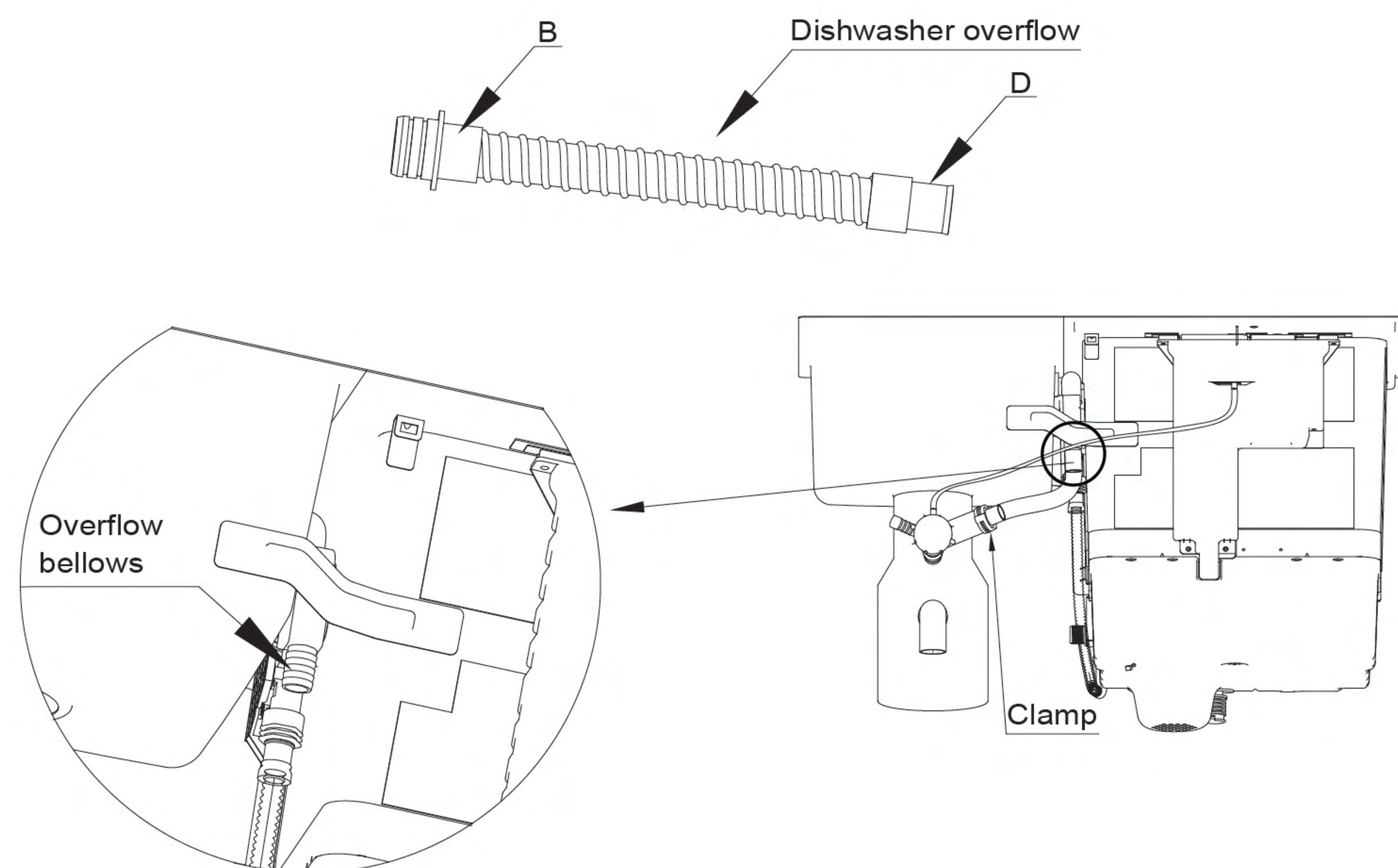
2. Put the rubber joint E of the overflow cross assembly into the clamp first, then connect it to the food waste disposer with Opening A facing upwards, as shown in the figure below, and tighten the clamp.



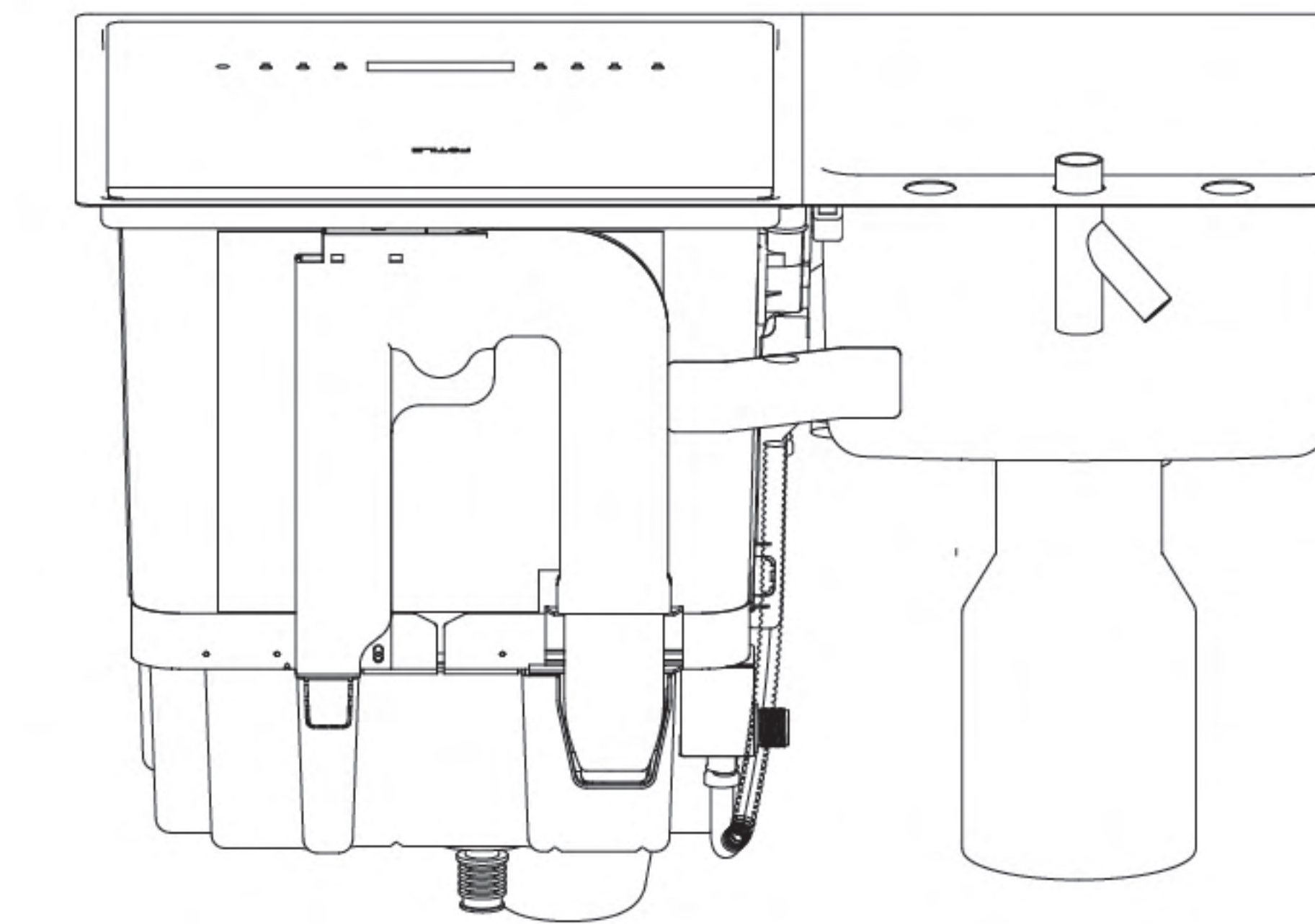
3. Connect one end of the rubber pipe to the drip hole below the door lock, and the other end to Inlet A of the overflow cross assembly.



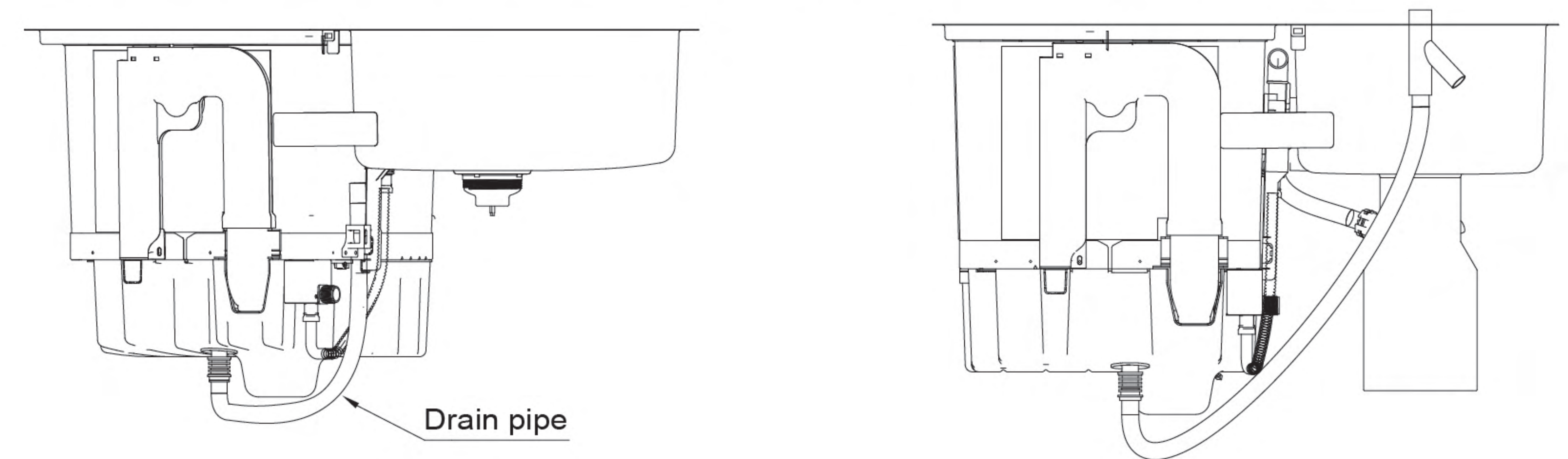
4. Remove the clamp of Inlet B of overflow cross assembly, first insert one end of the overflow bellows Connector D into the clamp, then insert it into the dishwasher overflow outlet, and tighten it with the clamp; insert the overflow bellow Connector B into Inlet B of overflow cross assembly and lock it with the removed clamp.



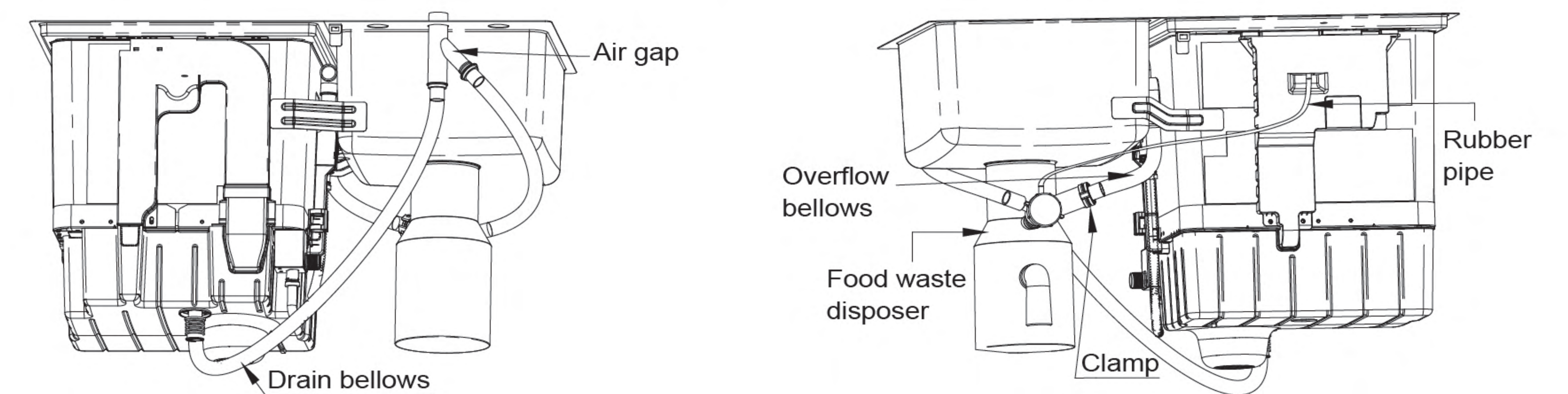
5. It is recommended to install the air gap in the position shown in the figure.



6. Remove the drain pipe from the fixing bracket of the machine, remove the sealing cover from the drain pipe assembly, put the clamp on the drain pipe joint, connect air gap and clamp it with the clamp. (Water discharge tube connector could be cut according to the actual size)

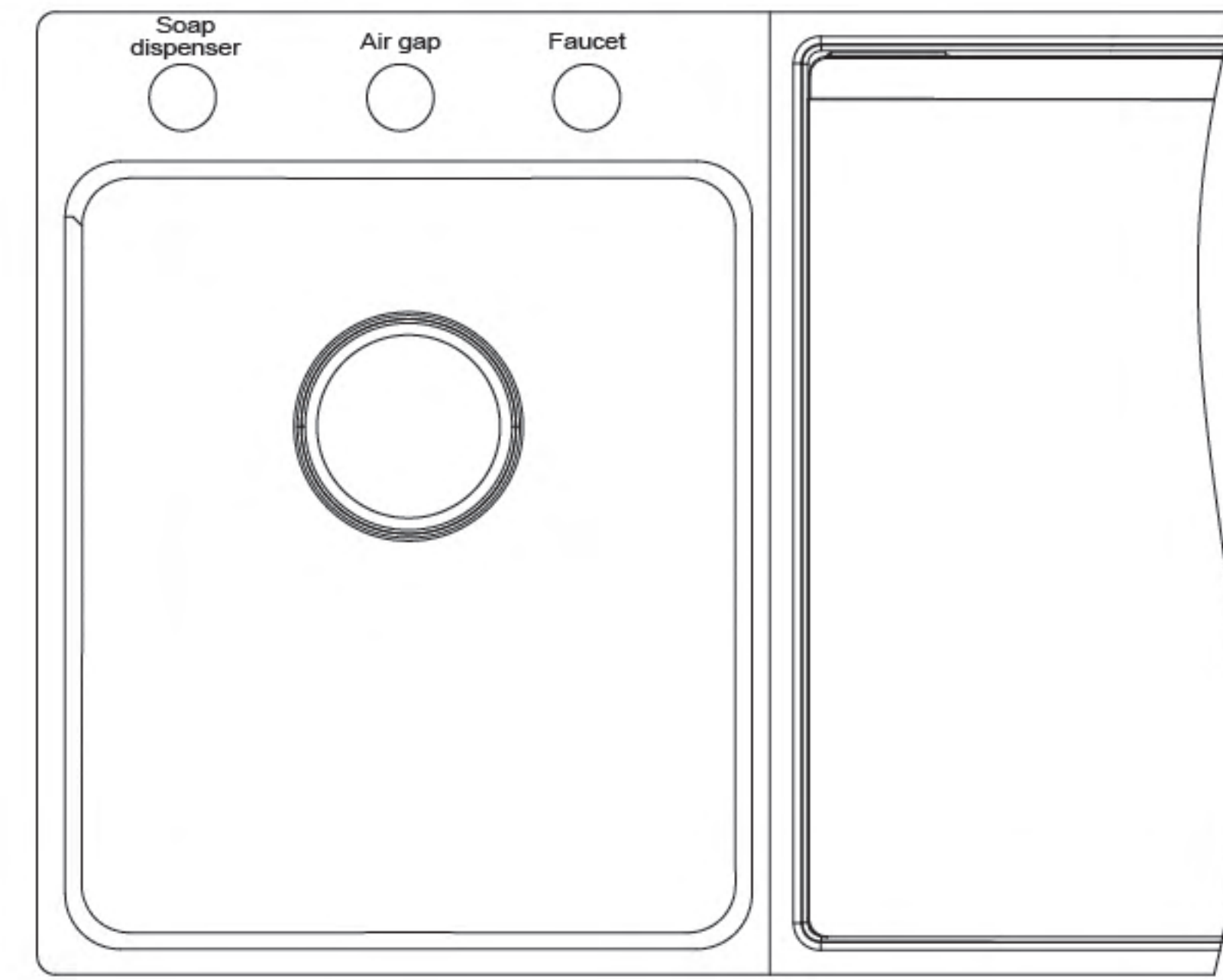


7. Use the bellows provided for the air gap to connect the air gap to Inlet C of overflow cross assembly. To make the connection tight, use a clamp to tighten the joint.



8. Complete the connection of the machine's own pipeline. Please connect the machine drain pipe assembly to the kitchen drain pipe according to the food waste disposer pipe connection requirements.

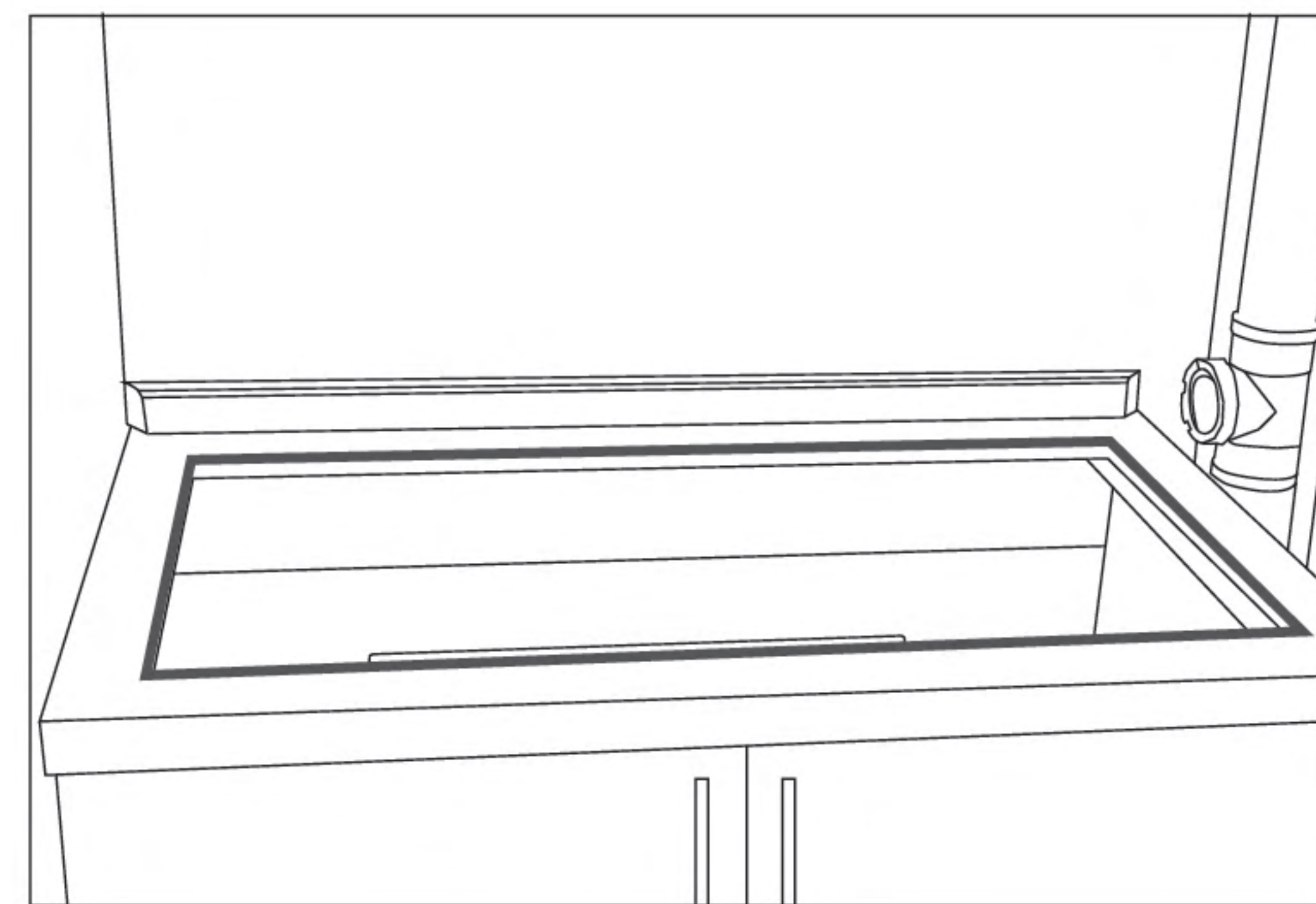
Step 4: Install the faucet and tee. The recommended installation position is shown in the figure.



1. Install the faucet and tighten it.
2. Connect the tee at the cold water angle valve.
3. The hole near the dishwasher is the faucet hole.

Step 5: Cleaning and gluing the countertop

1. Clean the installation surface.
2. Apply glass glue along the edge of the installation hole and ensure that the glass glue is continuous.



Step 6: Place in-sink dishwasher

1. Put on protective gloves and place the in-sink dishwasher into the opening.

Note: Do not hold the faucet when lifting the dishwasher to prevent the faucet from loosening and causing water leakage.

Step 7: Connect the water loop

1. Connect the cold and hot water pipes of the faucet correctly.
2. Connect the water inlet pipe of the in-sink dishwasher to the cold water valve tee and tighten it.

Note: The water inlet of in-sink dishwasher must be connected to cold water.

3. Open the angle valve, and ensure there is no water leakage at each connection.

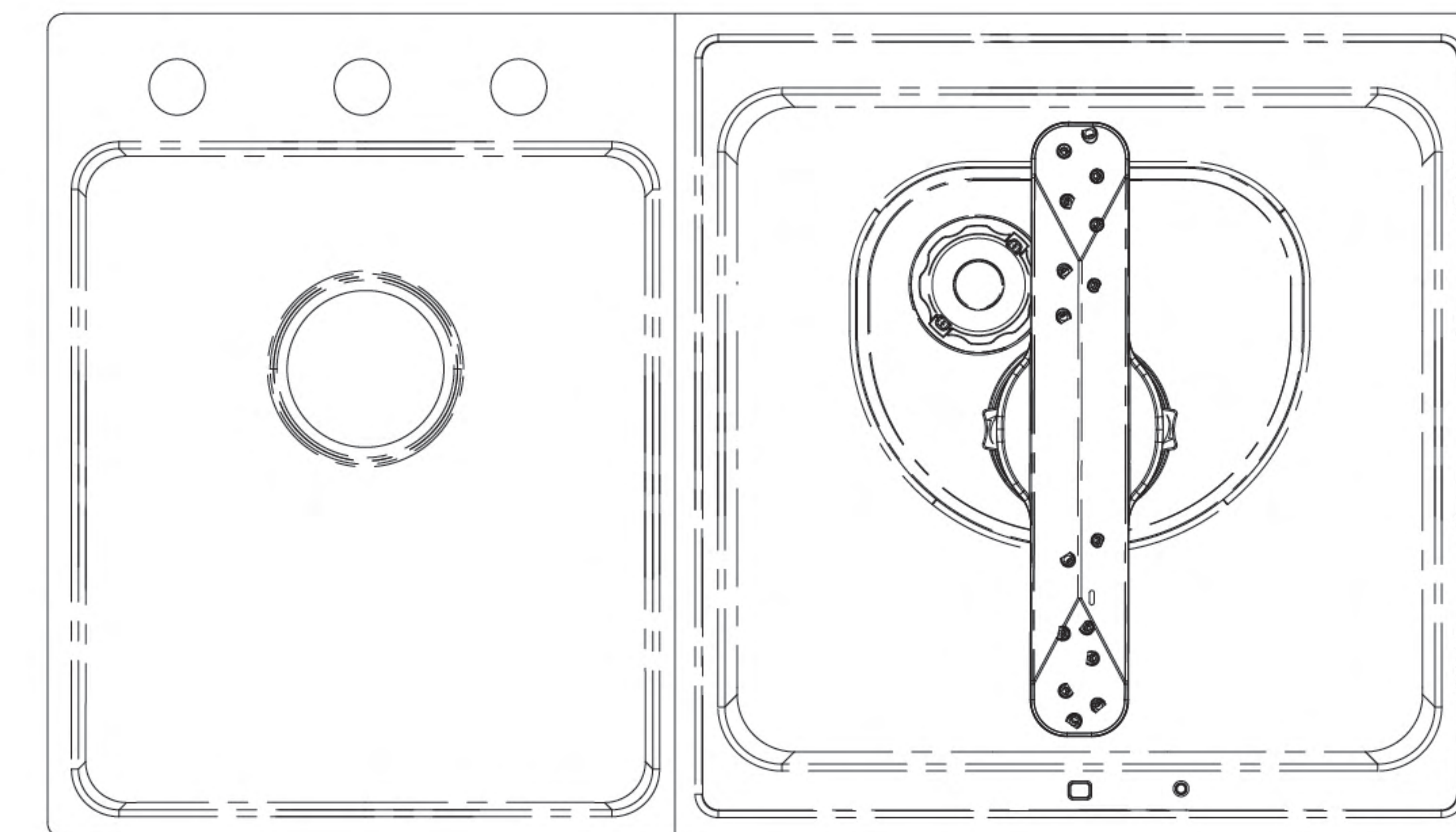
Step 8: Connect the power supply and insert the plug into a 120V power supply.

Step 9: Check the pipeline

1. Check whether the pipe connected to the tank is leaking.
2. Check whether the pipes connected to the function tank are leaking.

Step 10: Finishing

1. Apply glass glue along the edge of the product to ensure that the gap with the countertop is sealed.
2. Turn on the power, press the door opening button to open the door, and take out all objects from the tank.
3. Place the filter panel assembly.
4. Install the spray arm: Pinch the gray buckle under the spray arm, put it to the position shown in the figure and rotate clockwise. After hearing a "click" sound, move the spray arm and make sure it rotates smoothly.



5. Complete the installation.

FOTILE

安装指南

请妥善保管，以备参阅

使用产品前请仔细阅读
本说明书

水槽洗碗机

SD2F-P5
SD2F-P5L

手册章节

尊敬的用户，您好！

感谢您选购方太公司为您精心制造的方太水槽洗碗机产品，安装前请仔细通读本安装说明，

如有任何需要敬请致电方太服务热线。

目录	1
安全须知	2
安装要求	2
安装清单	4
产品包装清单	4
安装辅材	5
安装工具	6
安装	7
产品尺寸	7
安装步骤	7

一、安全须知

为了避免对使用人员及其他人员造成危害及财产损失，如下均为有关安全的重要事项，敬请严格遵守，并在充分理解内容的基础上正确使用。

- 1、安装本产品须有基本的机械、电气、管道技能技术，请持证的专业水管工来安装。
- 2、正确的安装是安装者的责任，如因安装不当导致的产品故障将不在方太保修范围内。
- 3、在提供安装服务之前必须切断电源以免触电。
- 4、严禁电源线、接插件等电器部件沾水，如果沾水使用可能会导致触电或其它意外伤害。
- 5、请不要对电源线进行改制、拉伸、禁止结扣及施加重物挤压等。否则易导致电源线破损而发生触电和火灾等事故。
- 6、请不要用潮湿的手触摸电源线及电器部件否则易发生触电事故。
- 7、电源插座必须具有可靠的接地线以确保安全。如没有接地线请让持证的电工安装接地线，不得将接地线接于煤气管、自来水管、避雷针及电话线上。接地不良可能引起触电及其他事故。
- 8、如果电源线损坏为了避免危险，必须方太售后人员或专业人员更换。
- 9、电器的电源插座应安装在柜子里，或安装在与安装电器的台下空间相邻的墙上。
- 10、在(9)中规定的隔间之间必须有一个开口，其大小足以让连接插头通过。开口的最长尺寸不应超过38毫米（1.5英寸）。
- 11、(10)中规定的开口的边缘，如果是木质隔断，应光滑圆润，如果是金属隔断，应使用边缘保护器或者其他方式保护电源线不会划伤。
- 12、在安装或拆除器具时，应小心谨慎，以减少损坏电源线的可能性。
- 13、移动产品时要注意槽体边角以免割伤，请带上防护手套。
- 14、方太水槽洗碗机进水必须接入冷水。接入热水会影响果蔬清洗功能。
- 15、请勿让儿童玩耍塑料薄膜和包装箱这可能会产生窒息事故，所以请让包装材料远离儿童，包装材料不是玩具。
- 16、安装产品的台面要有足够支撑220 lbs（100Kg）的强度，整机必须牢固的安装在台面上。
- 17、本产品是嵌入在橱柜内的，安装产品的橱柜材料必须耐高温耐湿。
- 18、安装产品时，功能槽与燃气表、燃气管道应保持11 13/16"(300mm)以上的距离，接线盒与燃气表、燃气管道应保持5 15/16"(150mm)以上的距离。
- 19、若当地法律法规对下水管连接有其他要求的按其要求连接。
- 20、安装完后请妥善保存本说明书，以备将来参考。

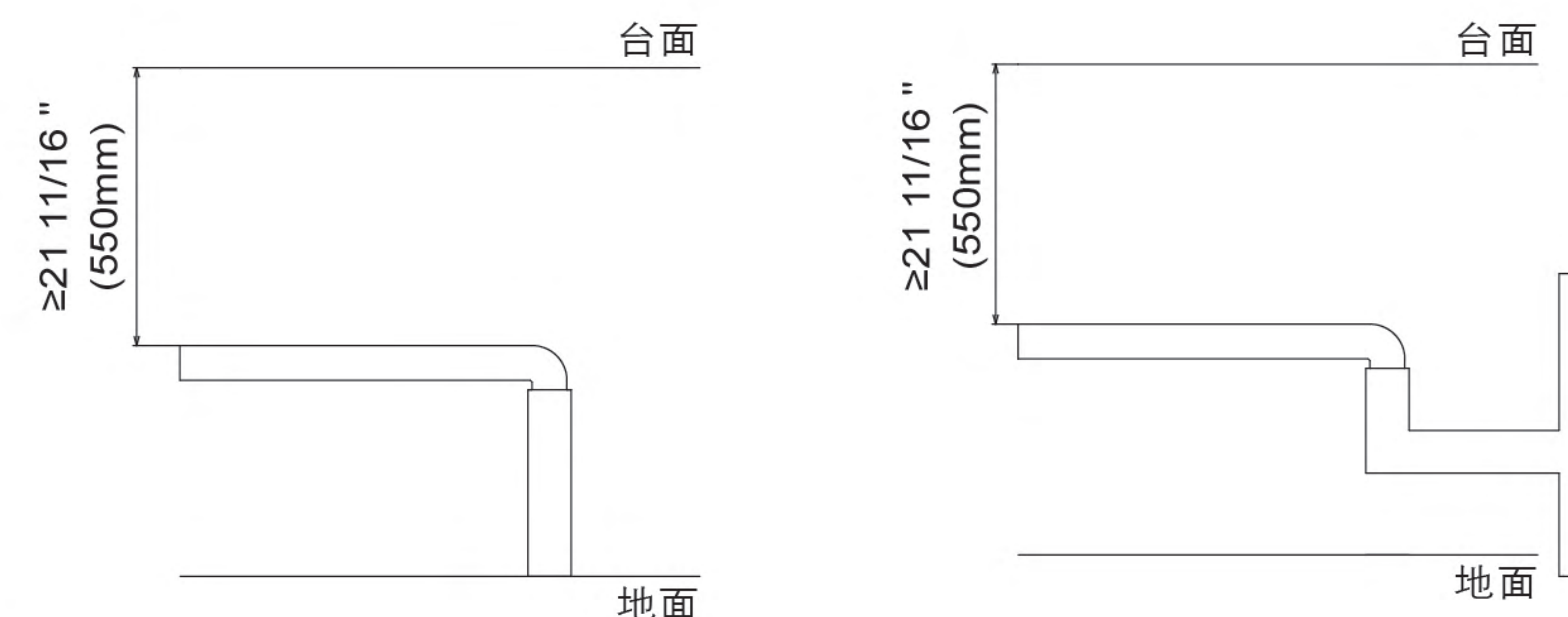
二、安装要求

为避免对用户及其他人员造成人身和财产损失，请阅读并遵守所有安全说明和警告。

- 1、柜体内不能有燃气管、燃气表等干涉功能槽与下水管的物品。

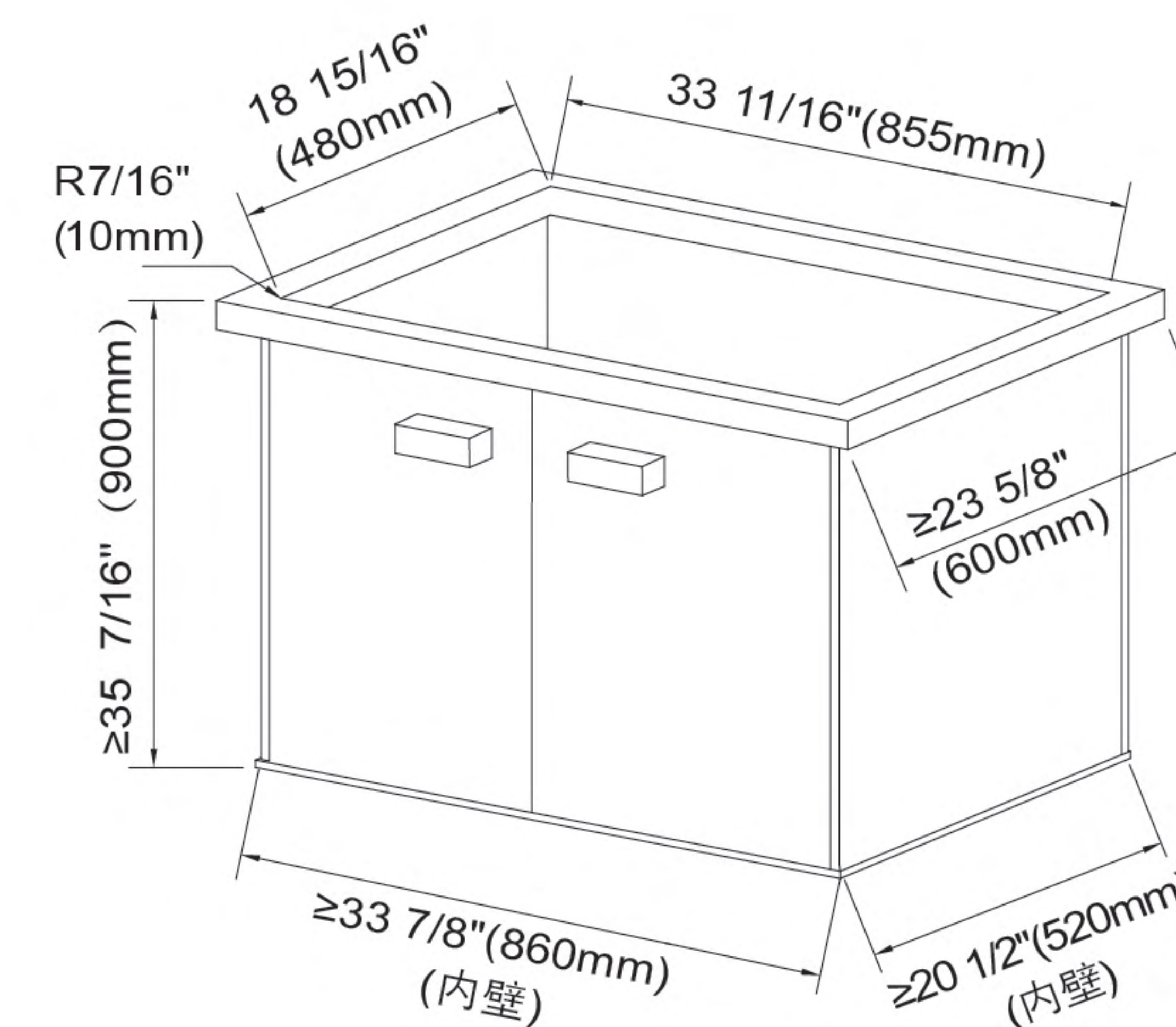
管道和设备		与燃气管道的净距	
		平行铺设	交叉铺设
电气设备	明装的绝缘电线或电缆	9 7/8"(250mm)	3 15/16"(100mm)
	电压小于1000V的裸露电线	39 3/8"(1,000mm)	39 3/8"(1,000mm)
	配电盘或配电箱、电表	11 13/16"(300mm)	不允许
	电插座、电源开关	5 15/16"(150mm)	不允许

- 2、柜体内（或相邻柜）内要有水路和电路的布置。
- 3、要有120V/60Hz电源，需单独布置线径为14AWG以上的电线，且必须可靠接地。
- 4、安装水路符合要求压力：20.3 psi-145.04 psi
- 5、排水管高度要求：安装台面顶部到下水管的高度应大于等于21 11/16"(550mm)



- 6、台面开孔尺寸和柜内尺寸要求。


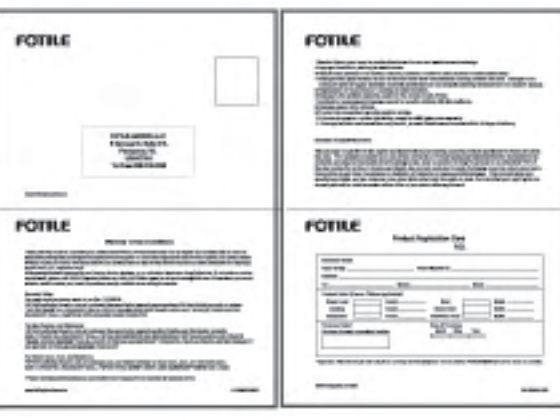
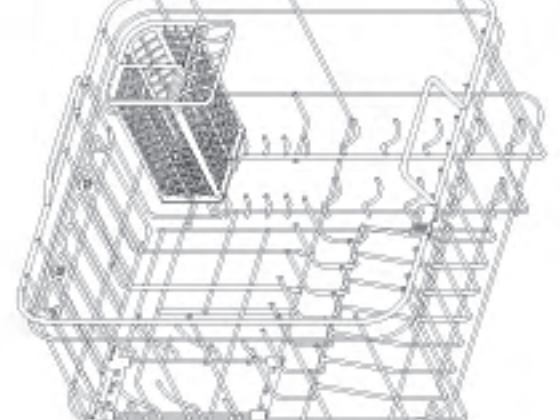
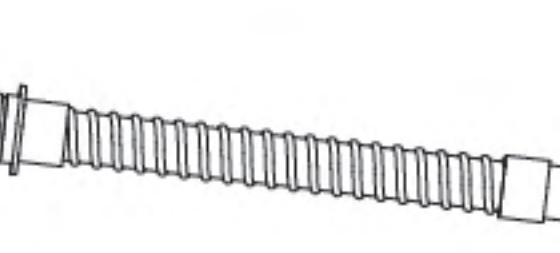
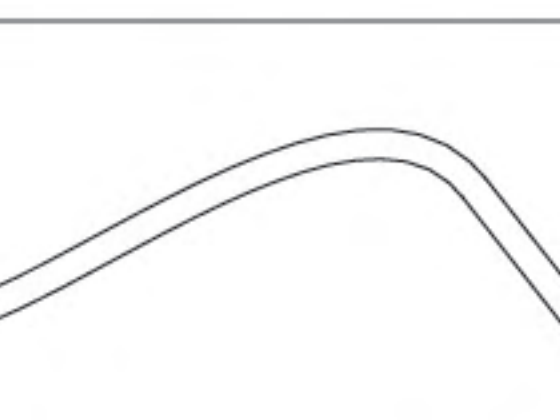
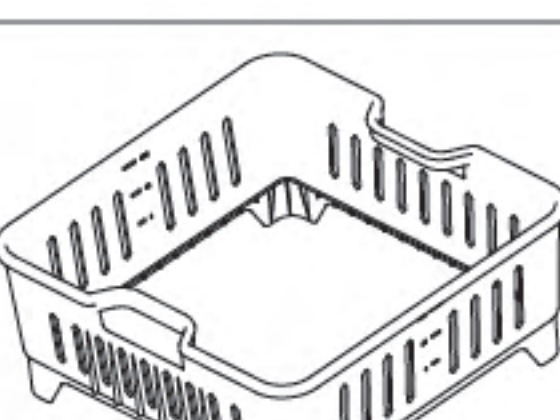
台面开孔尺寸			橱柜内壁尺寸		
长	宽	R角	长	宽	高
33 11/16"	18 15/16"	7/16"	≥33 7/8"	≥20 1/2"	≥35 7/16"
855mm	480mm	10mm	860mm	520mm	900mm



- 7、洗碗机安装后必须考虑后期维修时能从台面把整机拿出来。
- 8、台面上至少预留18 1/2"的空间高度，以便洗碗机门能正常打开。


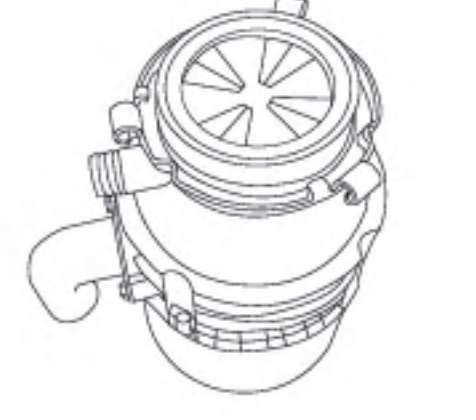


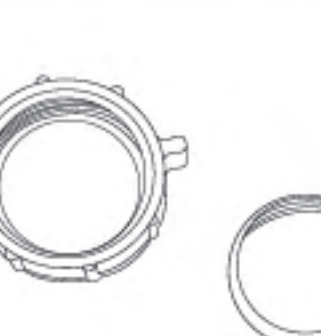
■ 安装清单

产品包装清单

使用与保养说明		1本
安装指南		1本
保修卡		1张
碗架		1套
下水管组件		1个
溢水四通组件		1个
溢水波纹管		1个
橡胶管		1根
果蔬篮		1个
卡箍		5个
喷淋臂		1个
过滤组件		1套

建议安装辅材（请根据实际安装情况自行购买）

√：必须 ×：不用 ○：可选

材料	名称及规格	数量	下水方式	
			Standard Post Sink Strainer in Stainless Steel 9/16"	Kitchen Sink Disposal
	Faucets	1		
	Soap dispenser	1		○
	Air gap	1		○
	Stainless Steel Universal Dishwasher Supply Line 3/8"	1		√
	Right-angle adaptor 1-1/2"	1		√
	Slip Joint Nut 1-1/2"	1		√
	Tee pipe Sewer and Drain Hub x Hub x Hub Tee 1-1/2 in	1		○
	Plastic P-Trap 1-1/2"	1		√

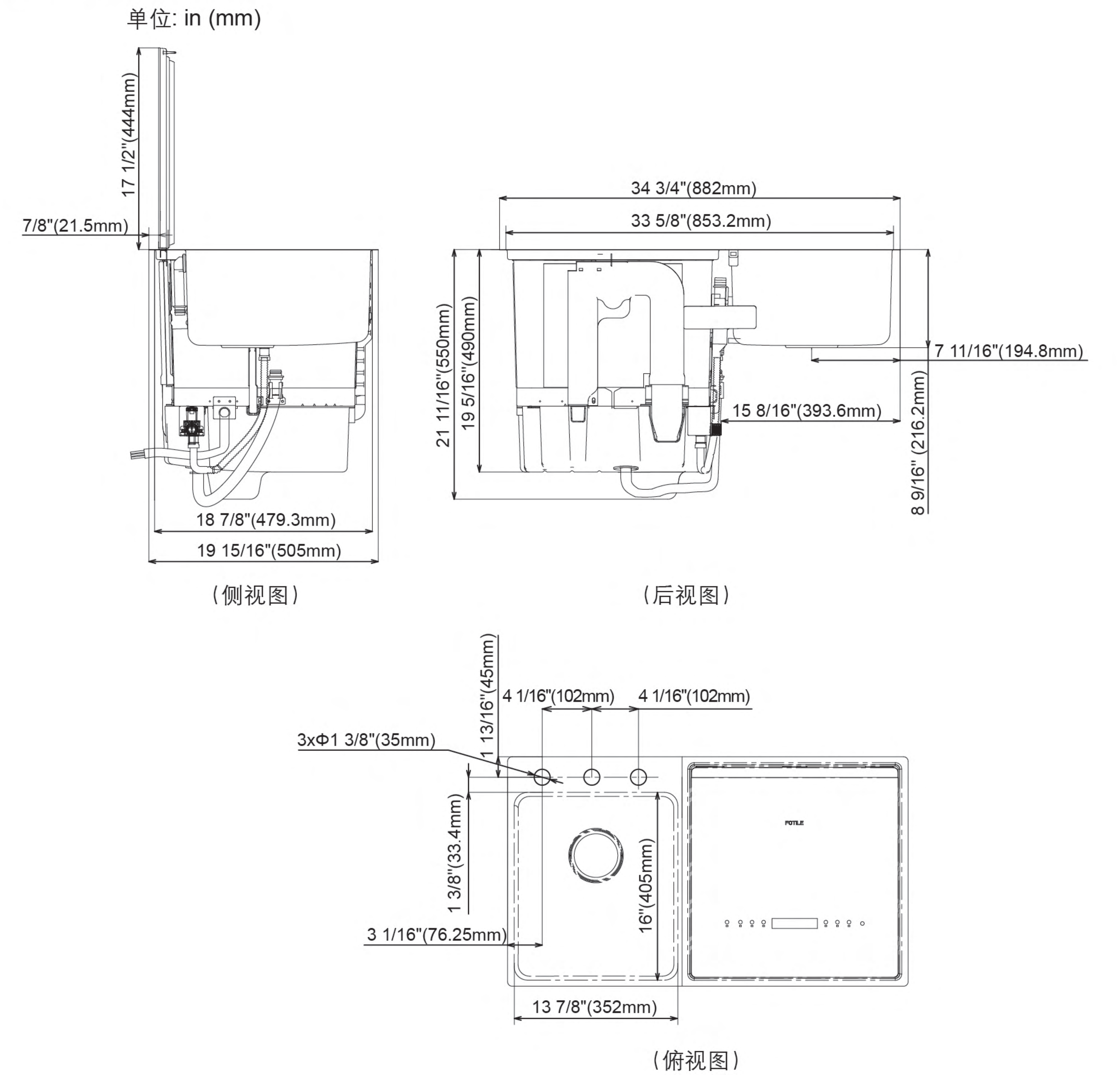
建议安装工具

(请根据实际安装环境来配置相应工具)

材料	规格	数量
	PC-1250 Single Stroke Plastic Pipe Cutter	1
	Regular Flat Head screwdriver	1
	Self Adjusting Groove Joint Pliers	1
	Lock Nut Wrench	1
	Glue gun + waterproof and mildew proof glass cement	1
	Glass cement scraper	1
	Tape Measure	1

三、安装

产品尺寸



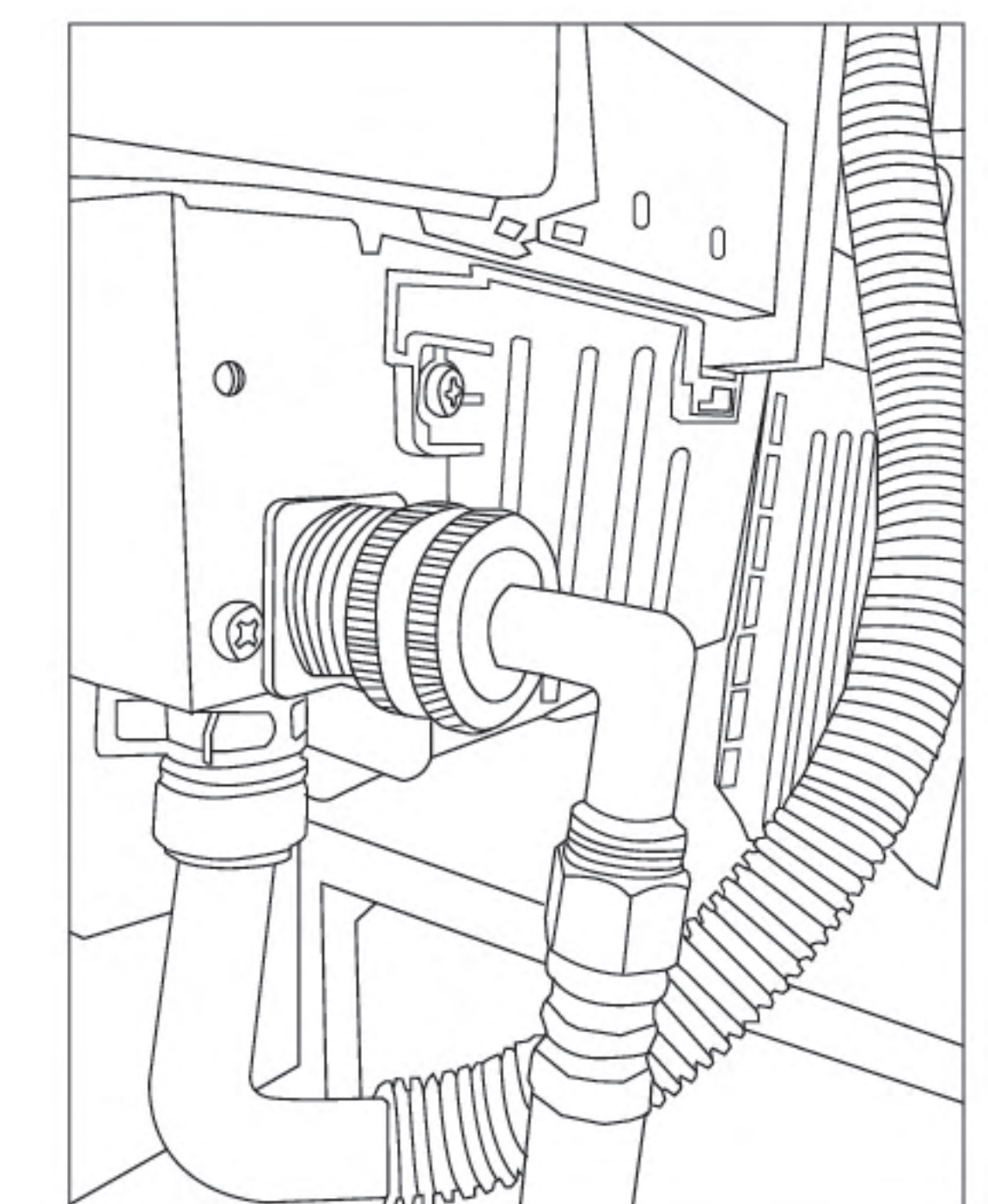
安装步骤

第一步：开箱

从包装箱取出整机，平稳放置。

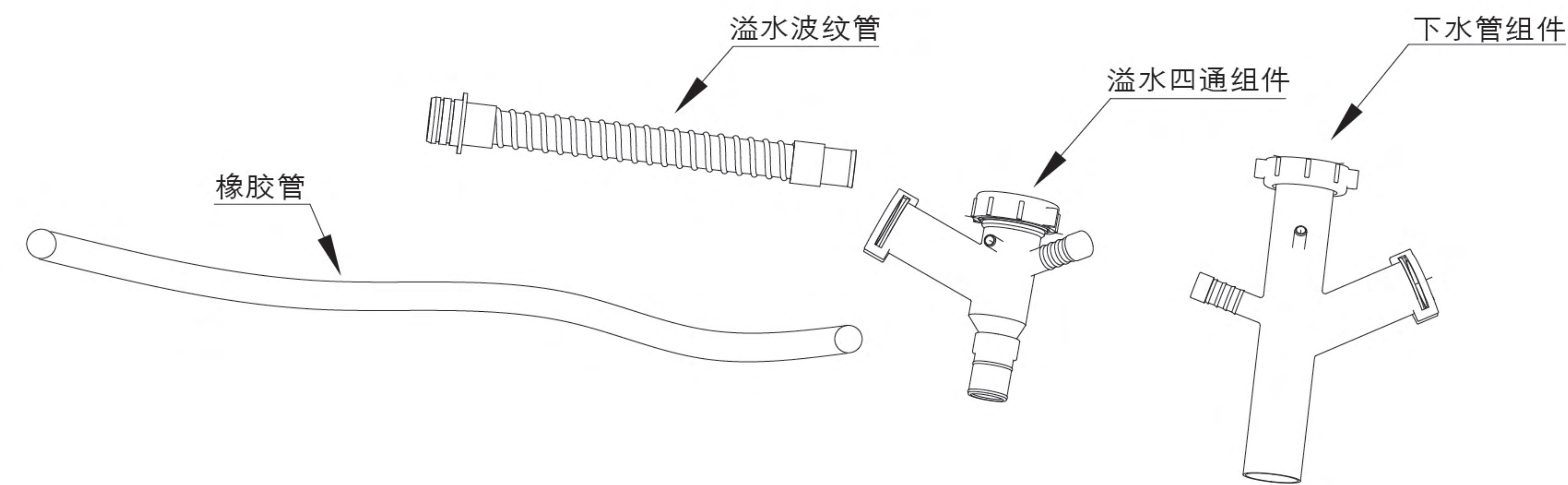
第二步：安装进水管

把3/8"接口的进水连接管接到进水阀连接处，拧紧。

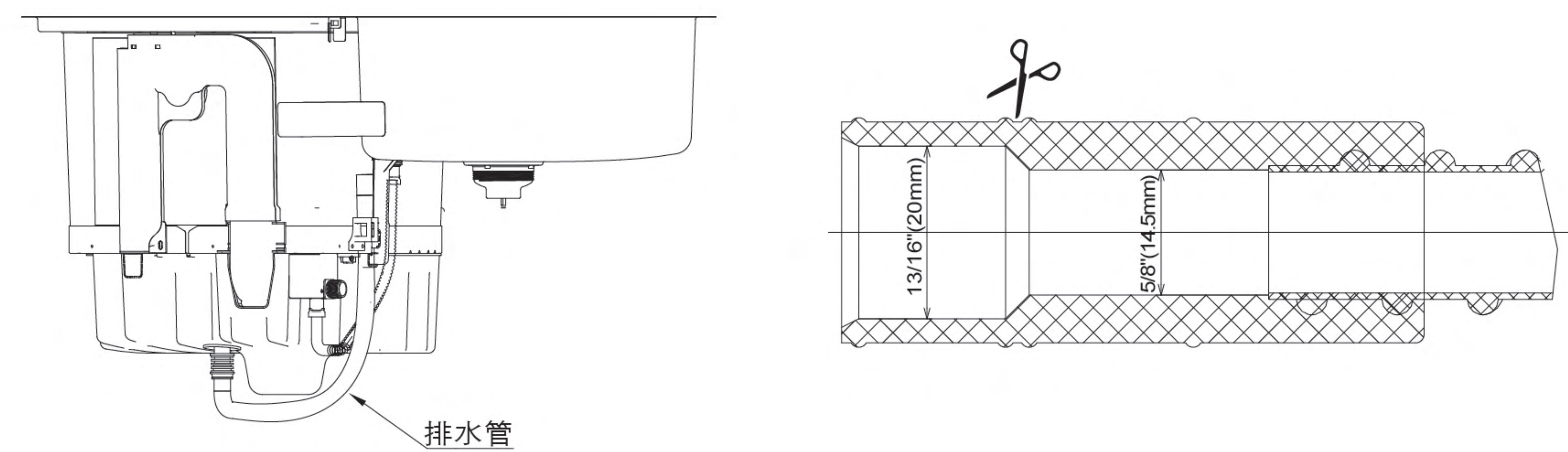


第三步：安装下水器或厨余处理器

从产品包装箱附件袋内取出下水管部件，包括以下4个零部件。



说明：洗碗机排水管接头为变径结构，接头前端内径为13/16" (20mm)，后端内径为5/8" (14.5mm)。当使用后端进行连接时，可将接头前端减掉。



不同场景下的安装方式

选项A：无厨余处理器—无Air Gap

选项C：有厨余处理器—无Air Gap

选项B：无厨余处理器—有Air Gap

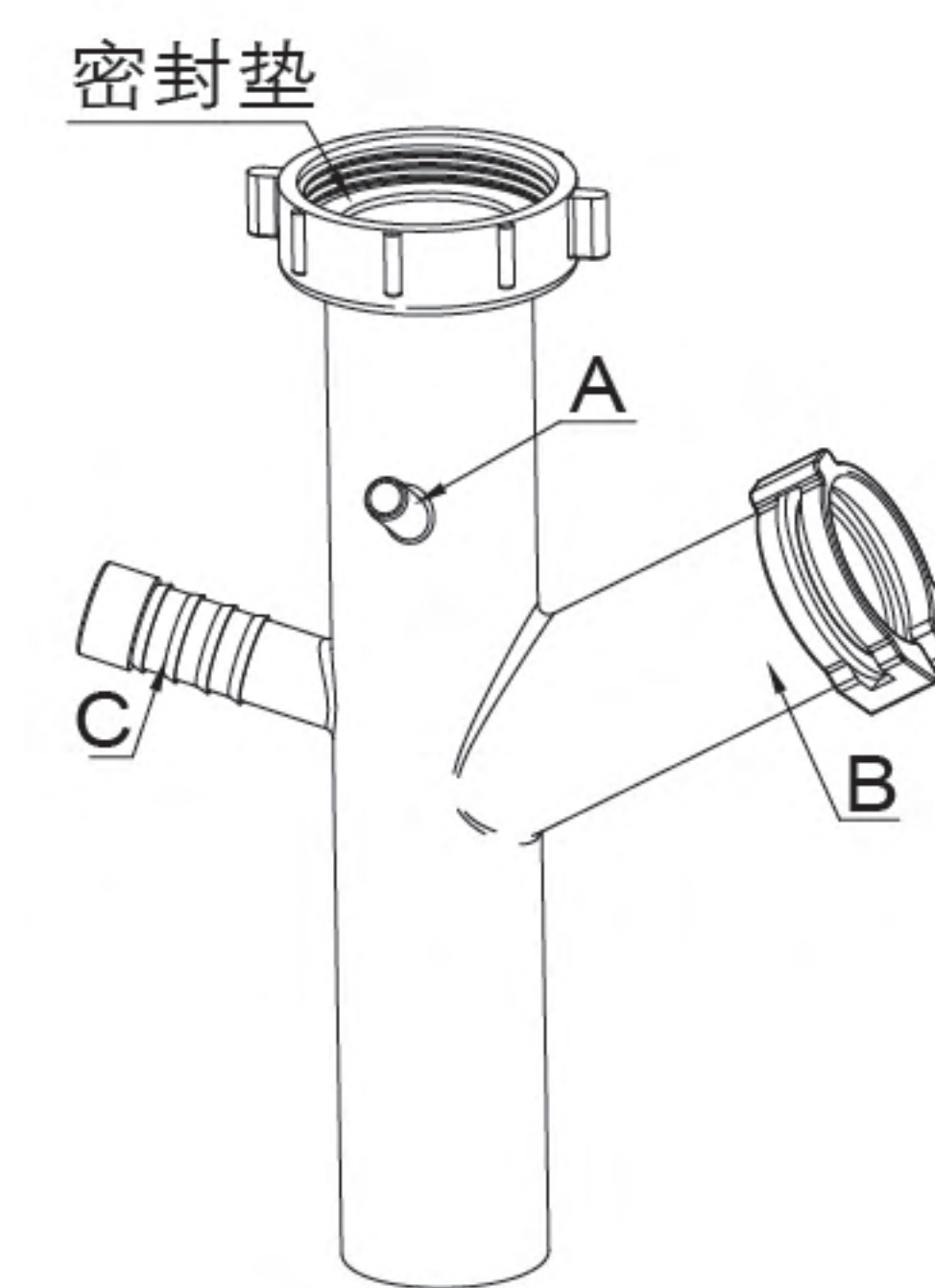
选项D：有厨余处理器—有Air Gap

若洗碗机排水侧未安装经批准的洗碗机气隙，则不得将家用洗碗机直接连结至排水系统或厨余处理器。应将所列气隙安装在水槽或滴水板溢流水位处或上方(以较高者为准)，并标有溢流水位(FL)标记。

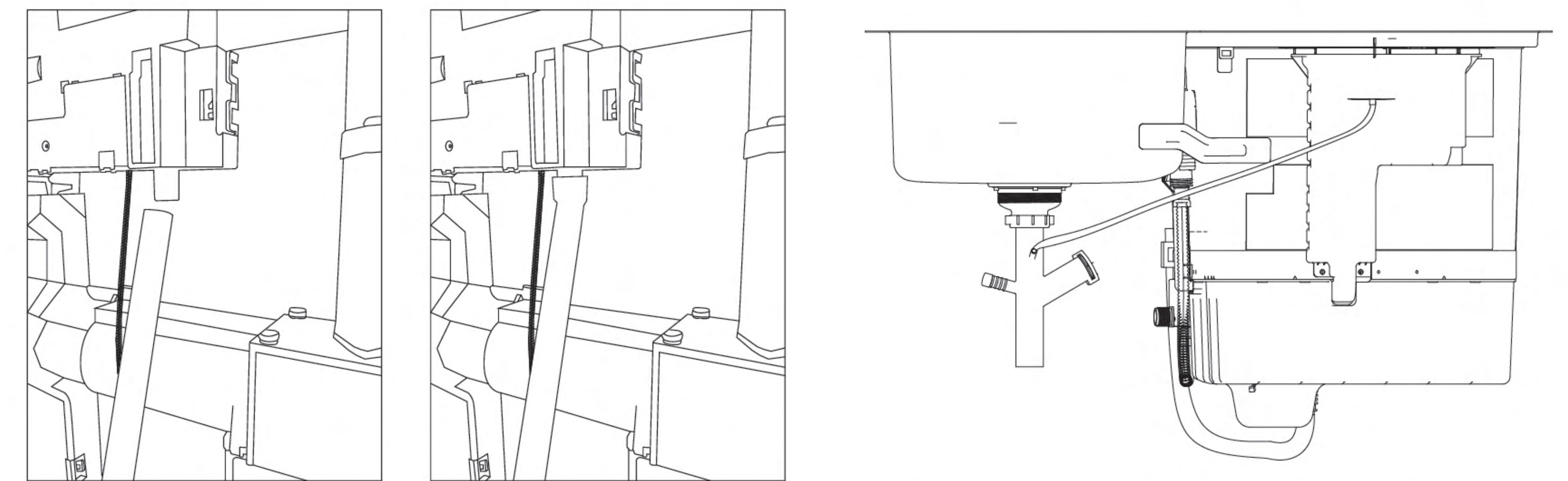
注意：如果当地有UPC要求，请选择经认可的洗碗机气隙配件，并遵循选项B或选项D。

选项A：无厨余处理器—无Air Gap

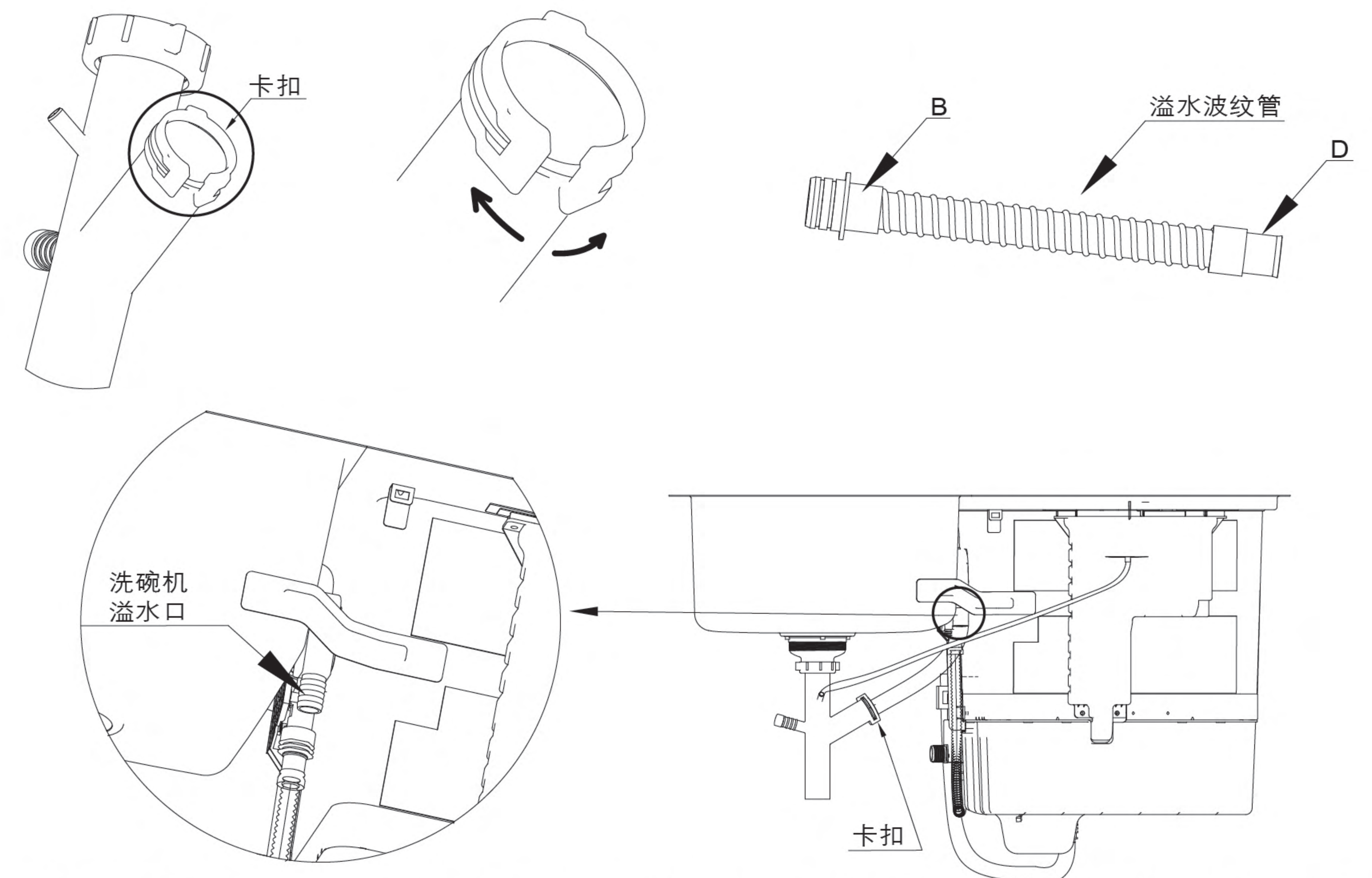
- 1.水槽上正确安装下水器，确保安装紧密不漏水。
- 2.撕掉下水管组件头部的白色胶带，确保下水管组件上有密封垫然后将其装在下水器上，确保连接紧密不漏水。



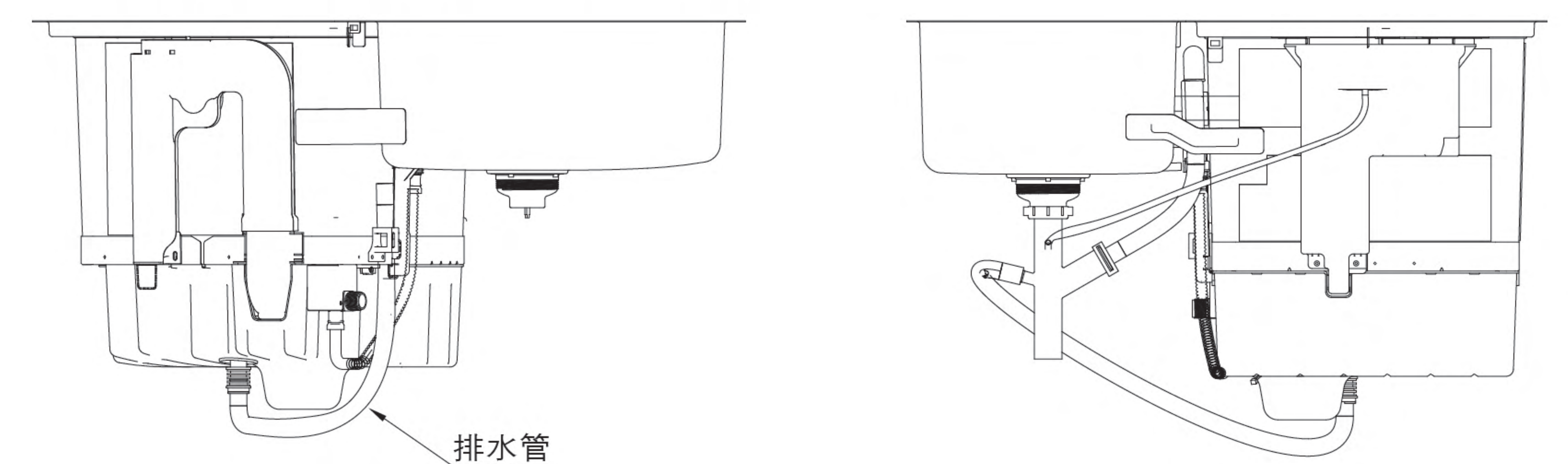
3.将橡胶管的一端接入门锁下方的滴水孔，另一端接入下水管组件A接口。



4.将下水管组件上B接口的卡扣按照下图箭头方向拆下，溢水波纹管D接头一端先套入卡箍，然后套入洗碗机溢水出口，用卡箍卡紧；溢水波纹管B接头插入下水管组件B接口，并用拆下的卡扣锁住。



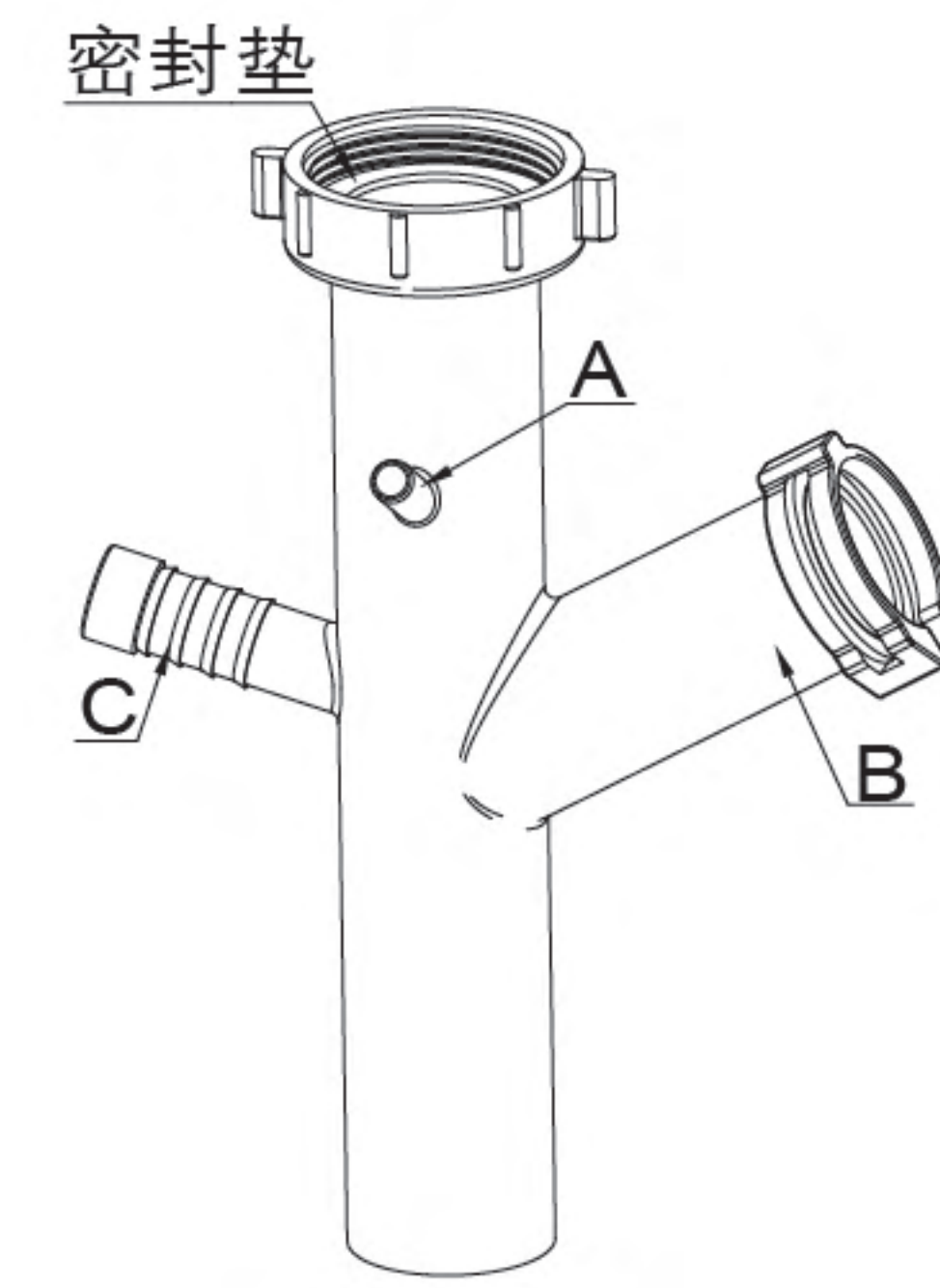
5.从机器固定支架上取下排水管，将下水管组件上C接口的密封盖取下，在排水管接头上套入卡箍，接到下水管组件上C接口上，并用卡箍卡好。



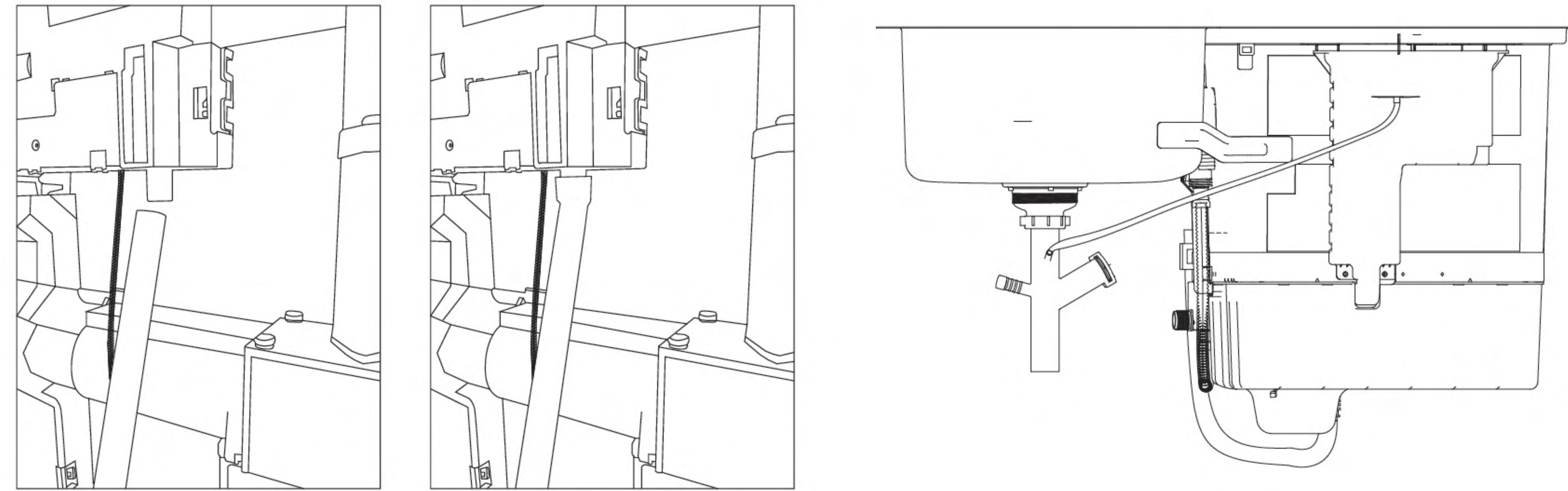
6.机器自带管路连接完成。请根据水槽管路连接要求把机器下水管组件跟厨房下水管进行连接。

■ 选项B：无厨余处理器—有 Air Gap

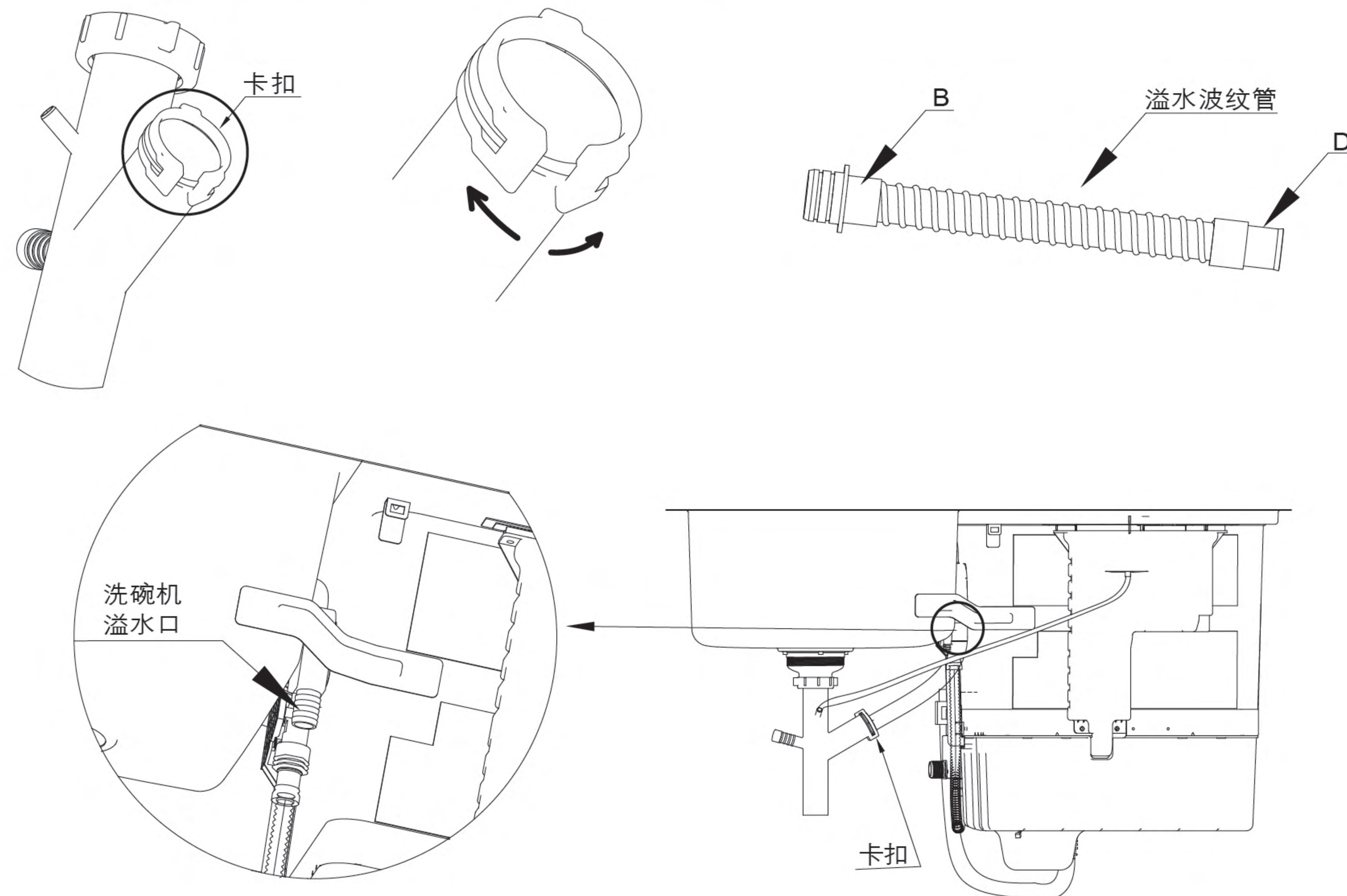
- 1.水槽上正确安装下水器，确保安装紧密不漏水。
- 2.撕掉下水管组件头部的白色胶带，确保下水管组件上有密封垫然后将其装在下水器上，确保连接紧密不漏水。



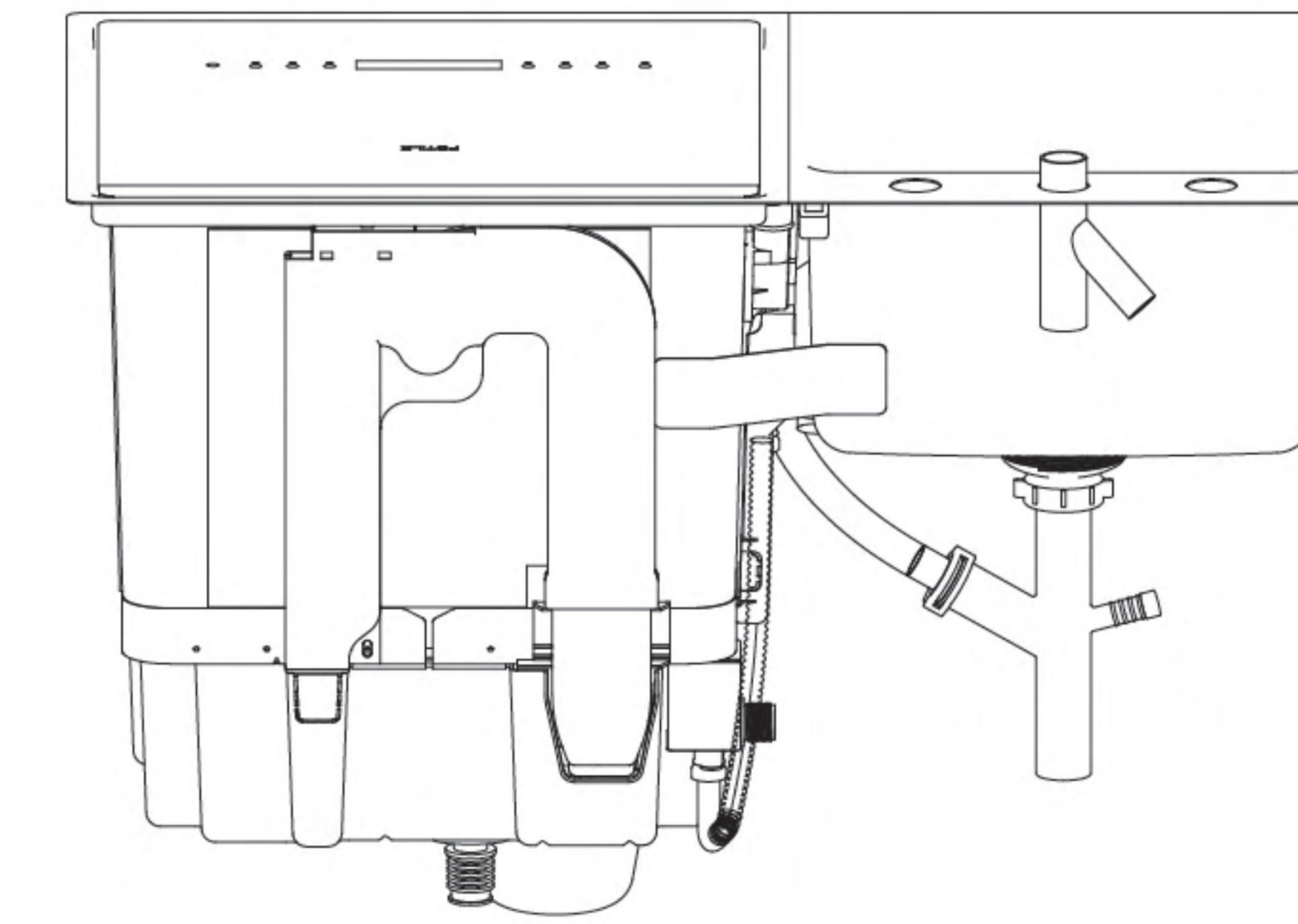
- 3.将橡胶管的一端接入门锁下方的滴水孔，另一端接入下水管组件A接入口。



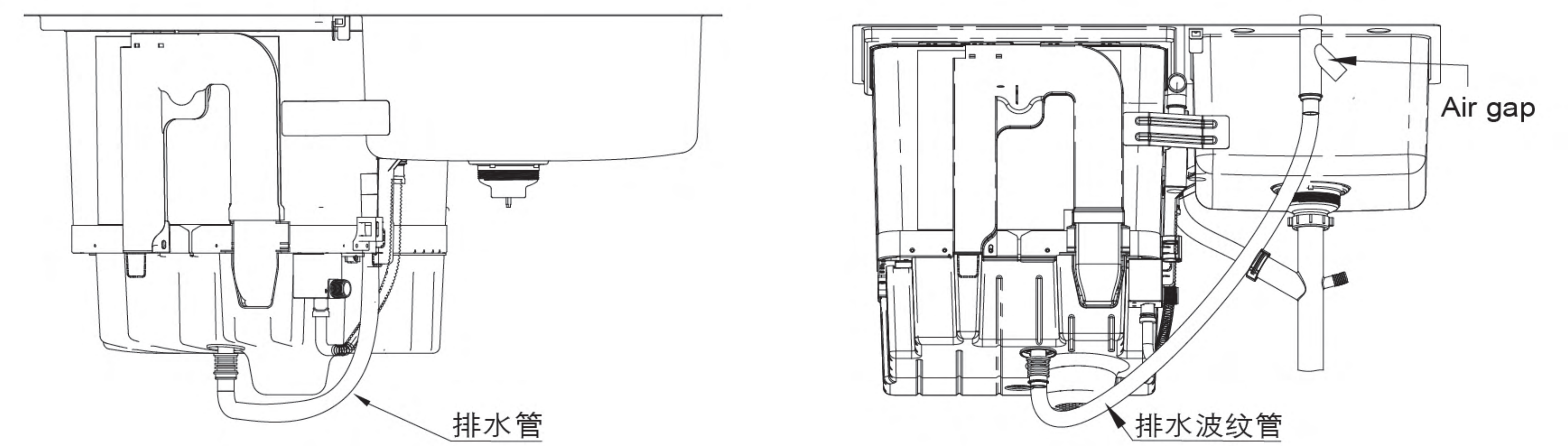
- 4.将下水管组件上B接入口的卡扣拆下，将溢水波纹管D接头一端先套入卡箍，然后套入洗碗机溢水出口，用卡箍卡紧；溢水波纹管B接头插入下水管组件B接入口，并用拆下的卡扣锁住。



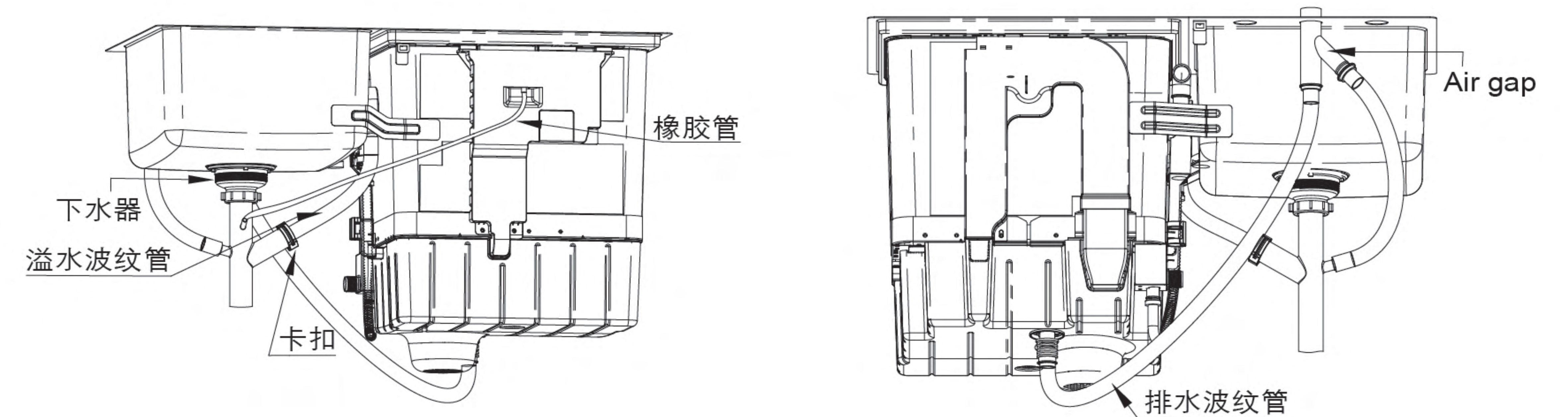
- 5.建议将Air gap 安装在如图所示位置。



- 6.从机器固定支架上取下排水管，将下水管组件上的密封盖取下，排水管接头上套入卡箍，接入Air gap，并用卡箍卡好锁紧。



- 7.用Air gap配套的波纹管将Air gap与下水管组件C接入口之间连接好。为使得连接紧密，请使用卡箍将接头处卡紧。



- 8.机器自带管路连接完成。请根据水槽管路连接要求把机器下水管组件跟厨房下水管进行连接。

■ 选项C：有厨余处理器—无 Air Gap

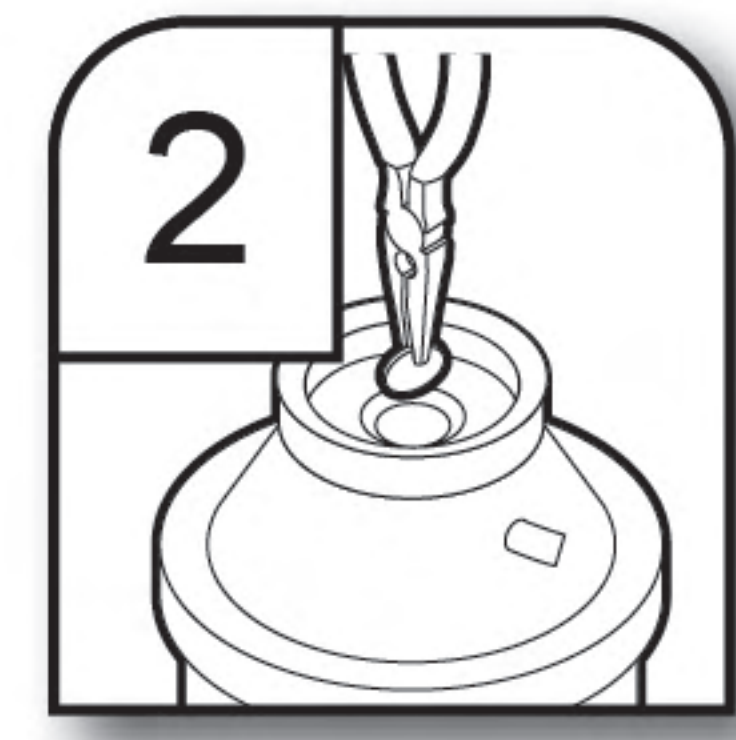
温馨提示：若您需要安装厨余处理器，建议先将产品装入橱柜后，再进行安装，这样会更便利。具体可参照第四-六步。

- 1.厨余处理器捅开进口并取出盖子，水槽上正确安装厨余处理器，确保安装紧密不漏水。

注意：移除厨余处理器塞子。

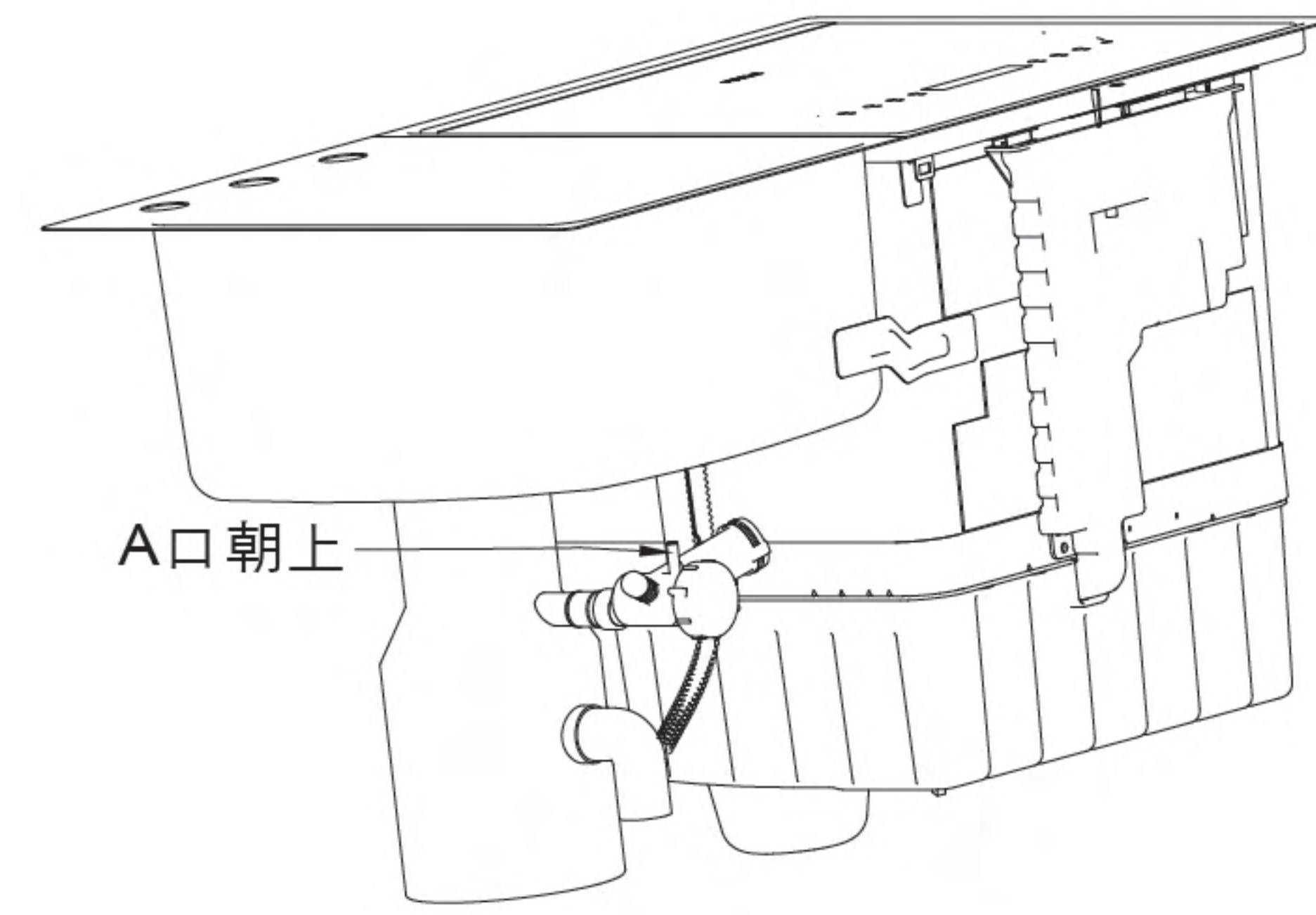
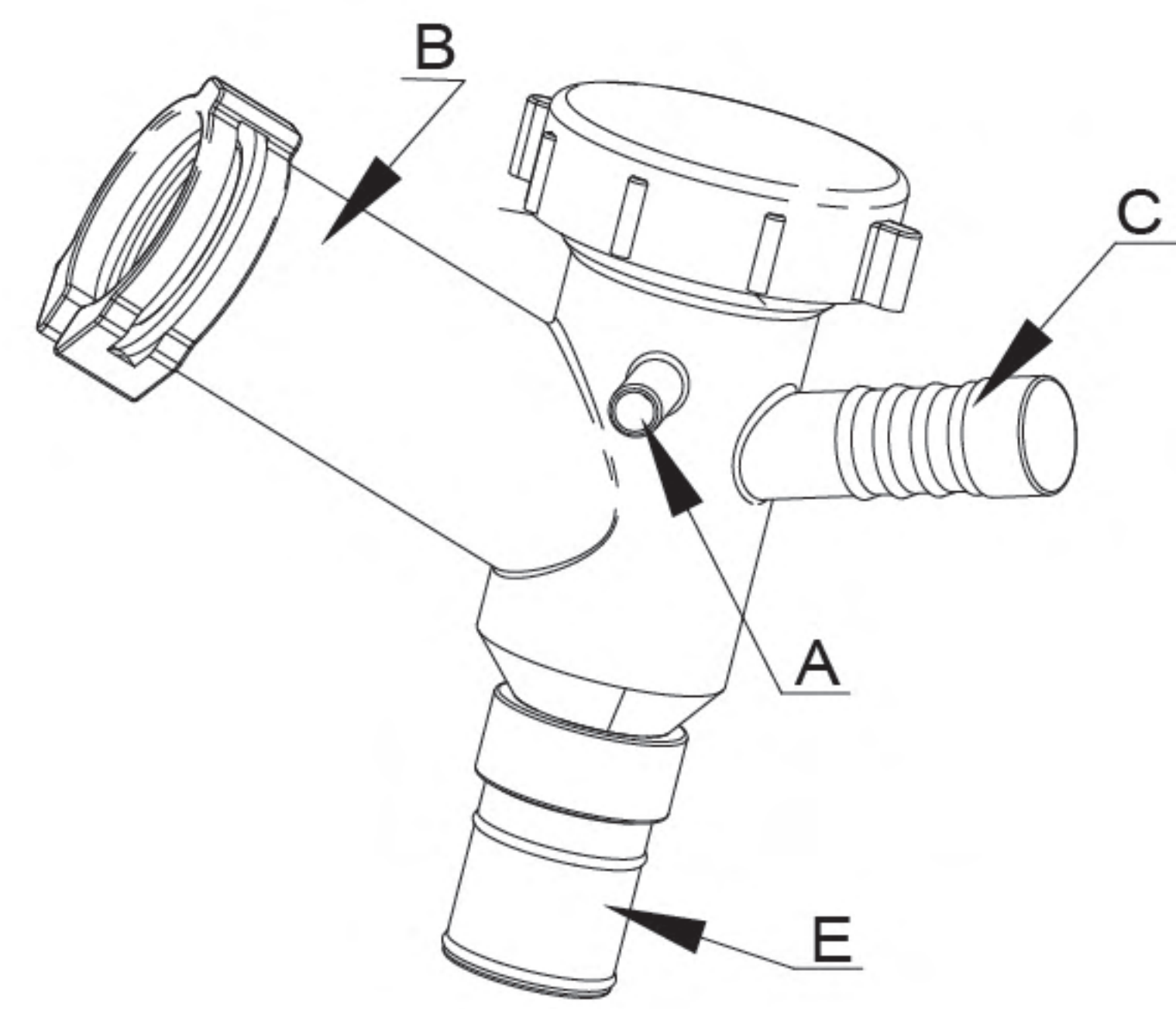


1.用锤子和螺丝刀将厨余处理器进口捅开。

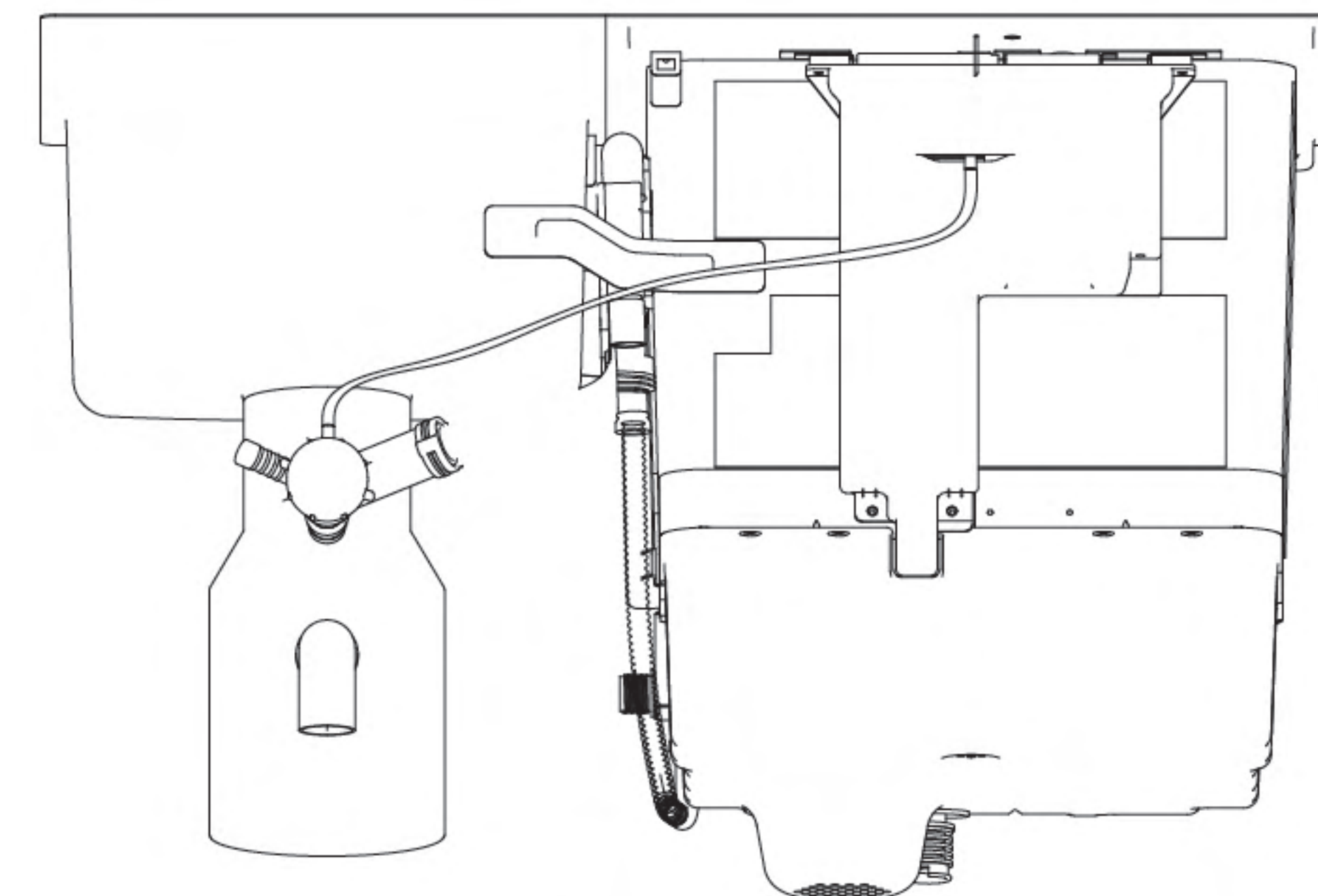
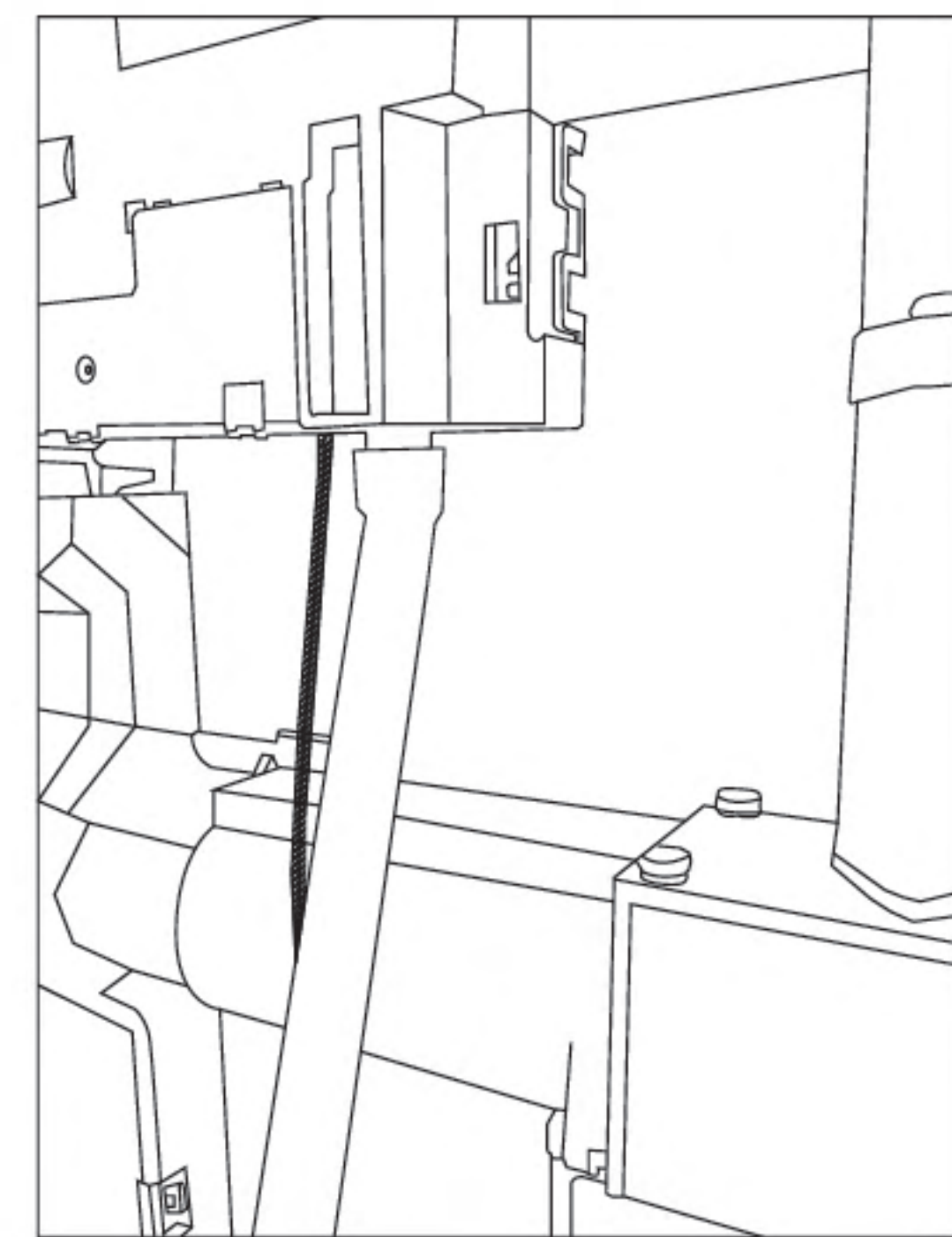
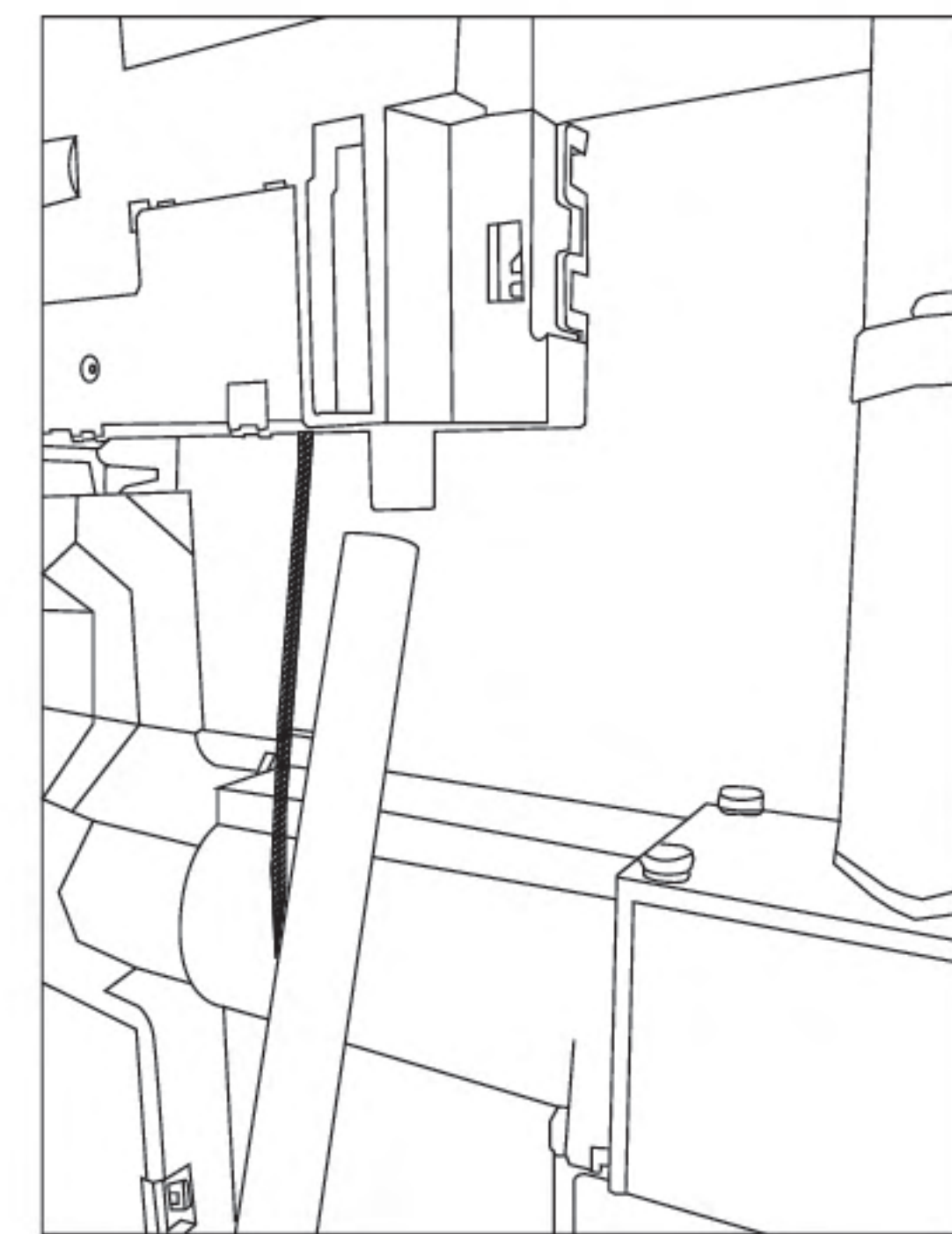


2.用钳子夹下厨余处理器盖子。

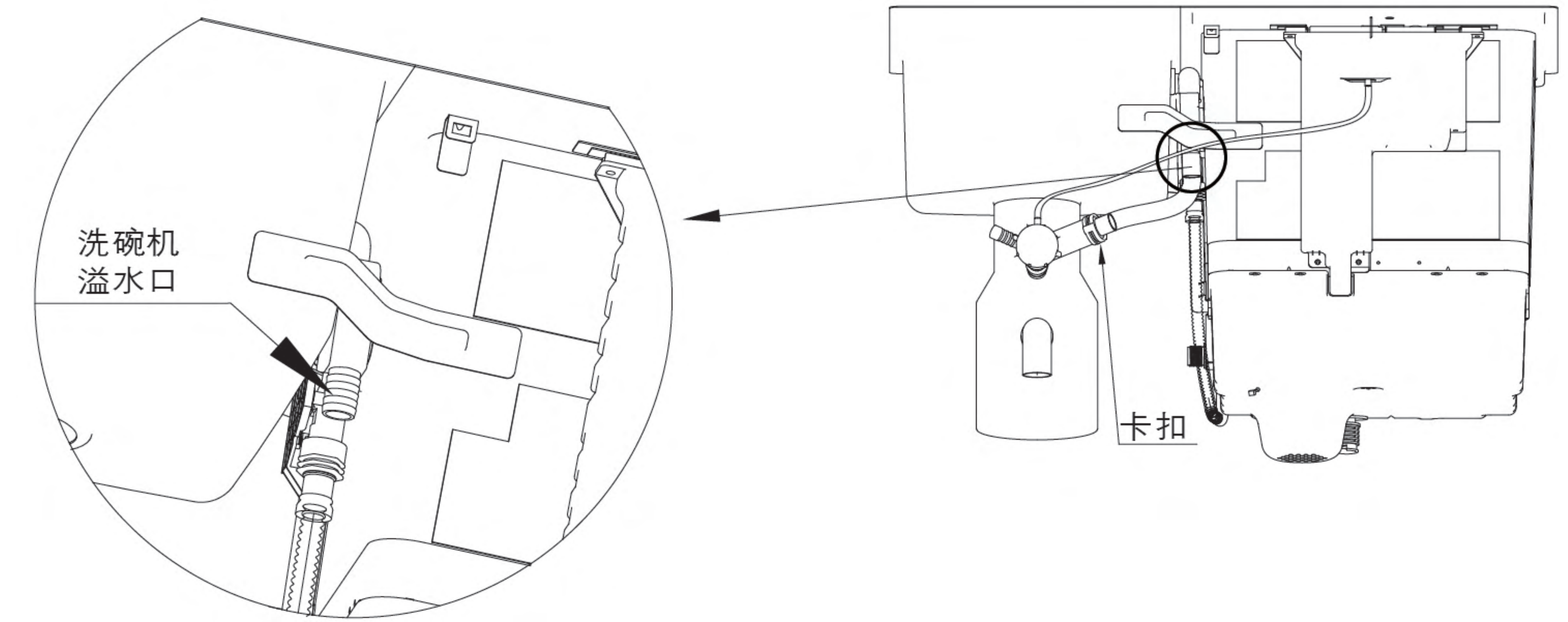
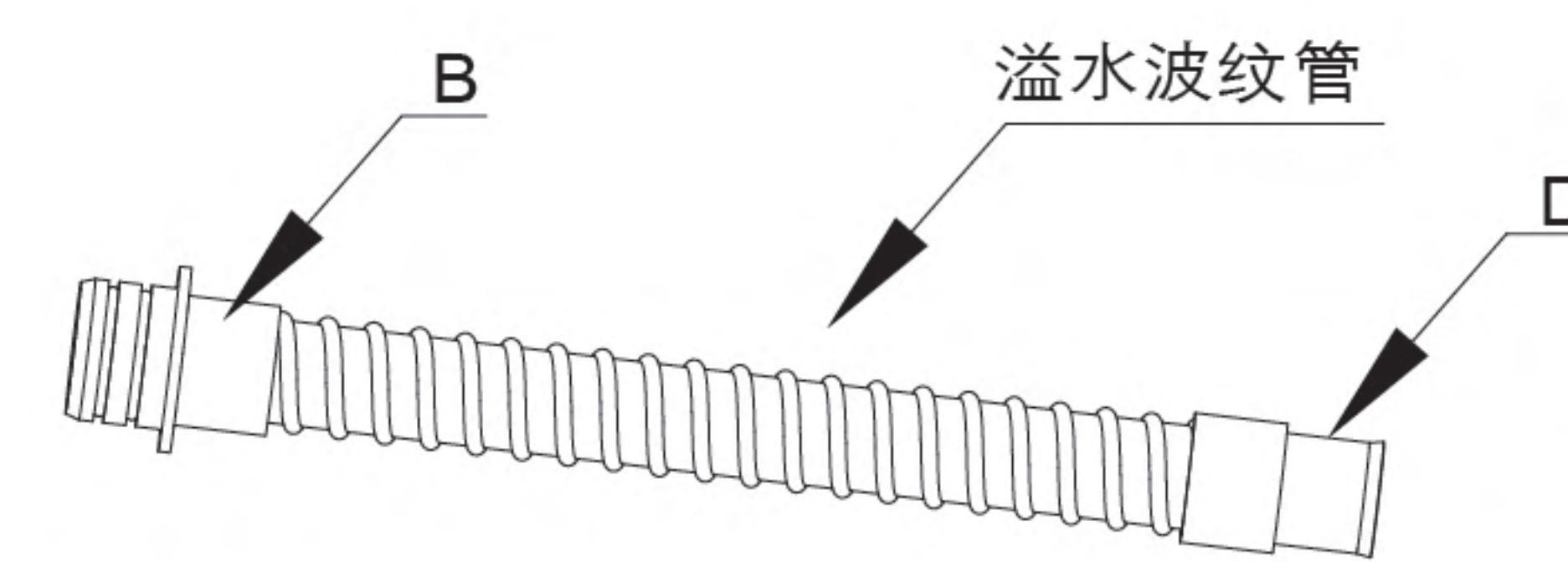
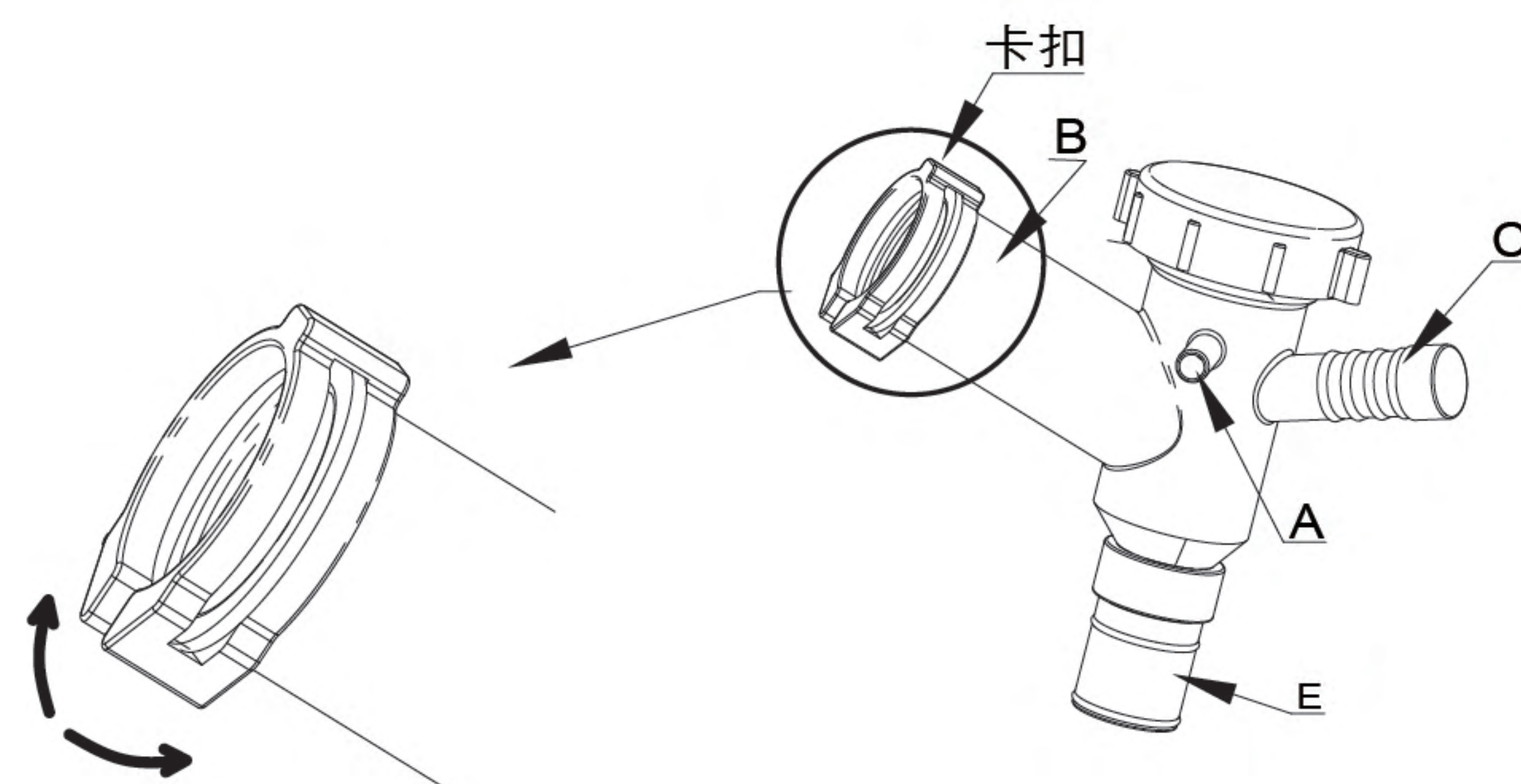
2.将溢水四通组件橡胶接头E先套入卡箍，然后按照下图方向A口朝上，接入厨余处理器，并将卡箍卡紧。



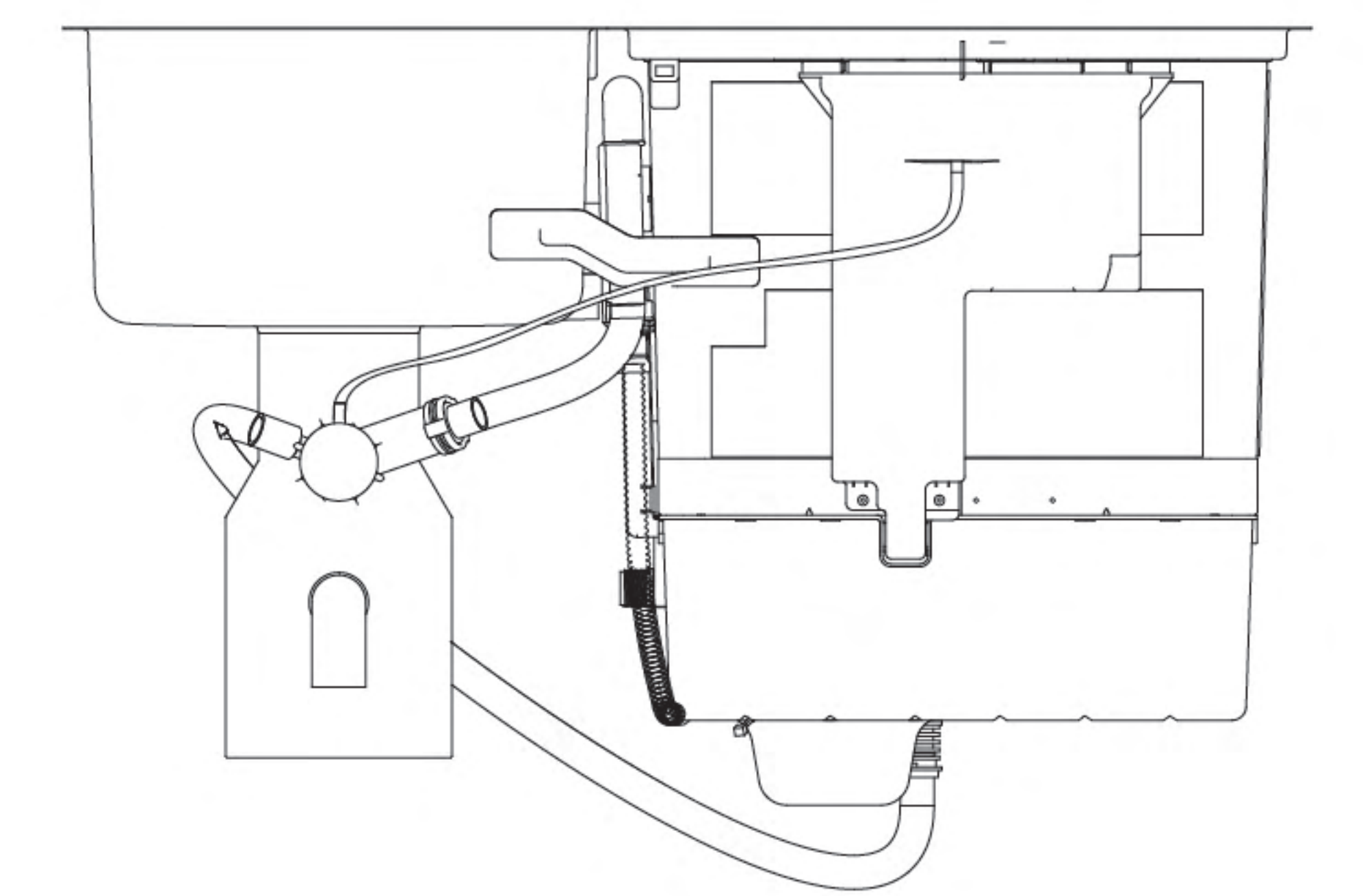
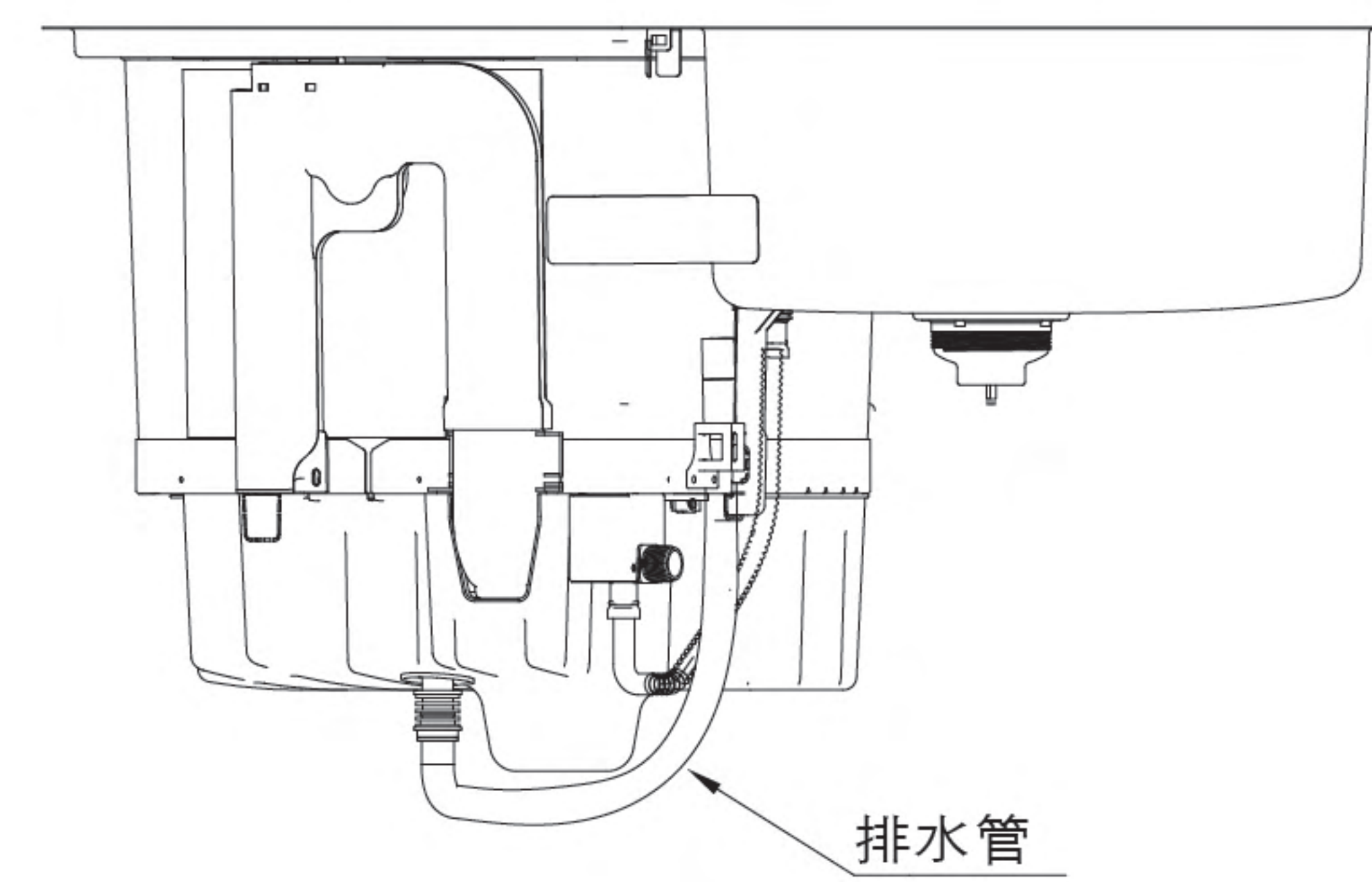
3.将橡胶管的一端接入门锁下方的滴水孔，另一端接入溢水四通组件A接口。



4.将溢水四通组件B接口上的卡扣按照下图箭头方向将其拆下，溢水波纹管D接头一端先套入卡箍，然后套入洗碗机溢水出口，用卡箍卡紧；溢水波纹管B接头插入溢水四通组件B接口，并用拆下的卡扣锁住。



5.从机器固定支架上取下排水管，将溢水四通组件C接入口的密封盖取下，在排水管接头上套入卡箍，接到溢水四通组件C接入口上，并用卡箍卡好。



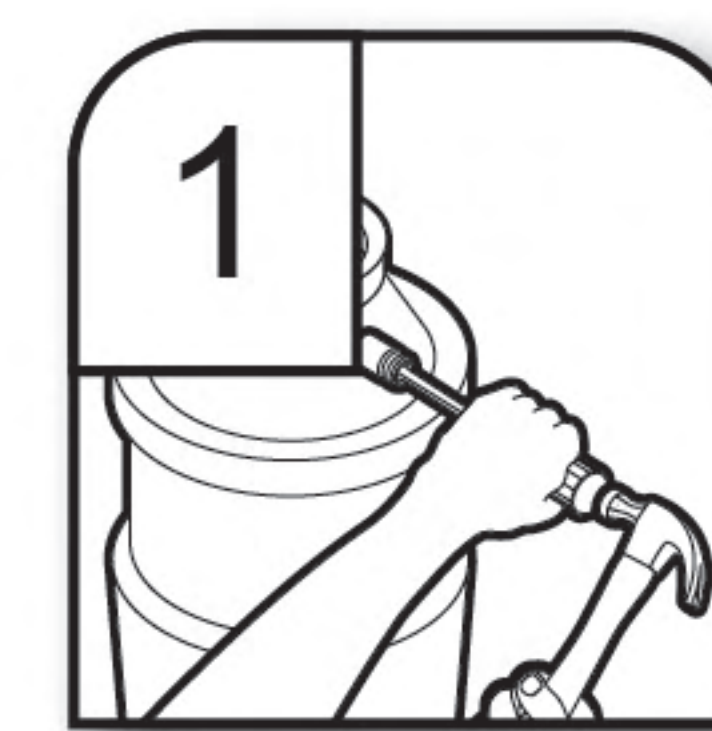
6.机器自带管路连接完成。请根据厨余处理器管路连接要求把机器下水管组件跟厨房下水管进行连接。

■ 选项D：有厨余处理器—有Air Gap

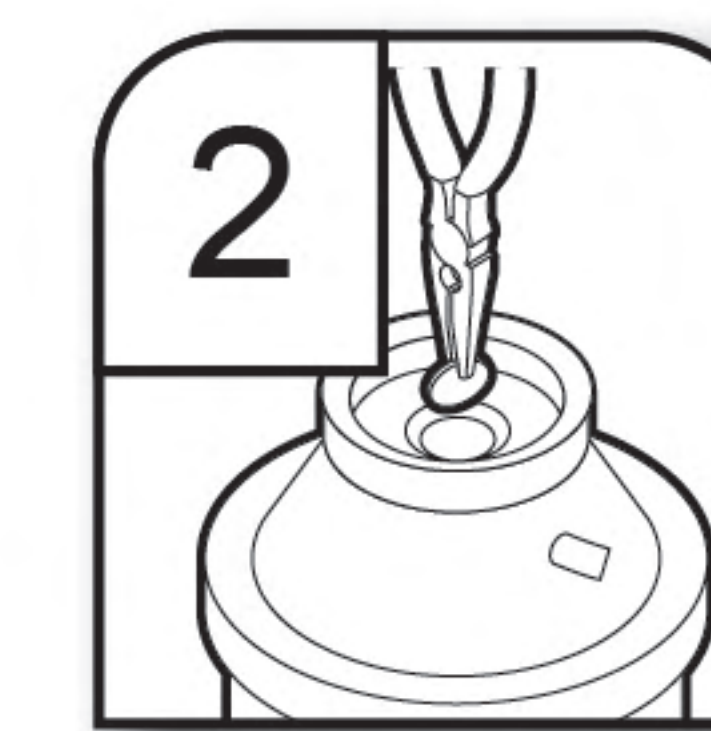
温馨提示：若您需要安装厨余处理器，建议先将产品装入橱柜后，再进行安装，这样会更便利。具体可参照第四-六步。若您需要在产品上安装Air gap，建议先将Air gap安装好后再将产品装入橱柜，Air Gap的安装参照下面5-7步。

1.厨余处理器捅开进口并取出盖子，水槽上正确安装厨余处理器，确保安装紧密不漏水。

注意：移除厨余处理器塞子。

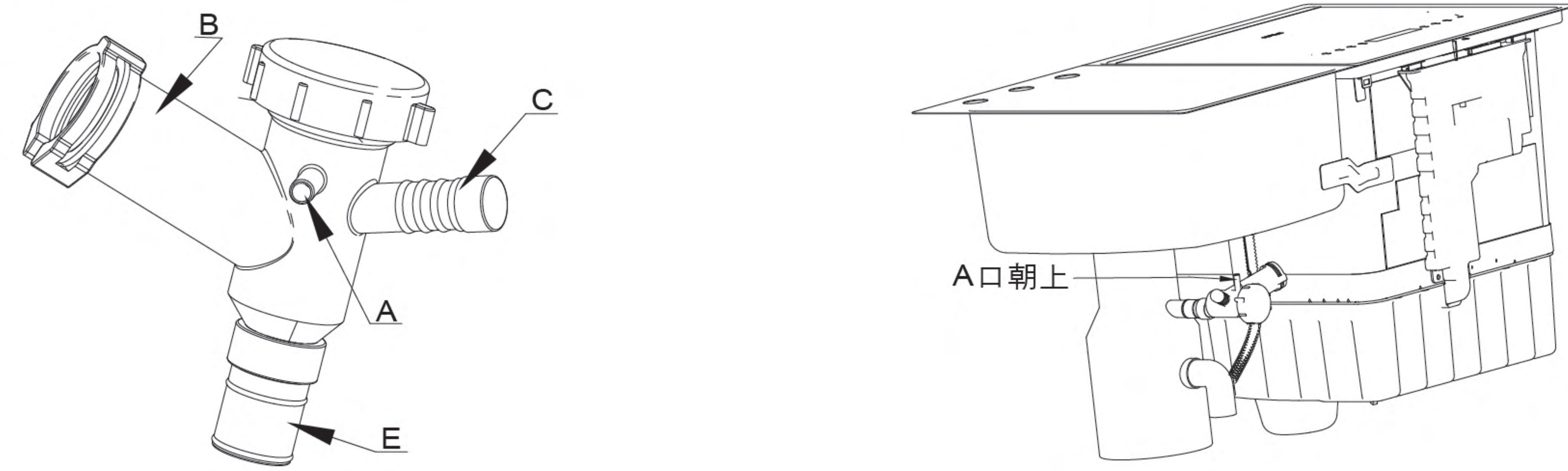


1.用锤子和螺丝刀将厨余处理器进口捅开。

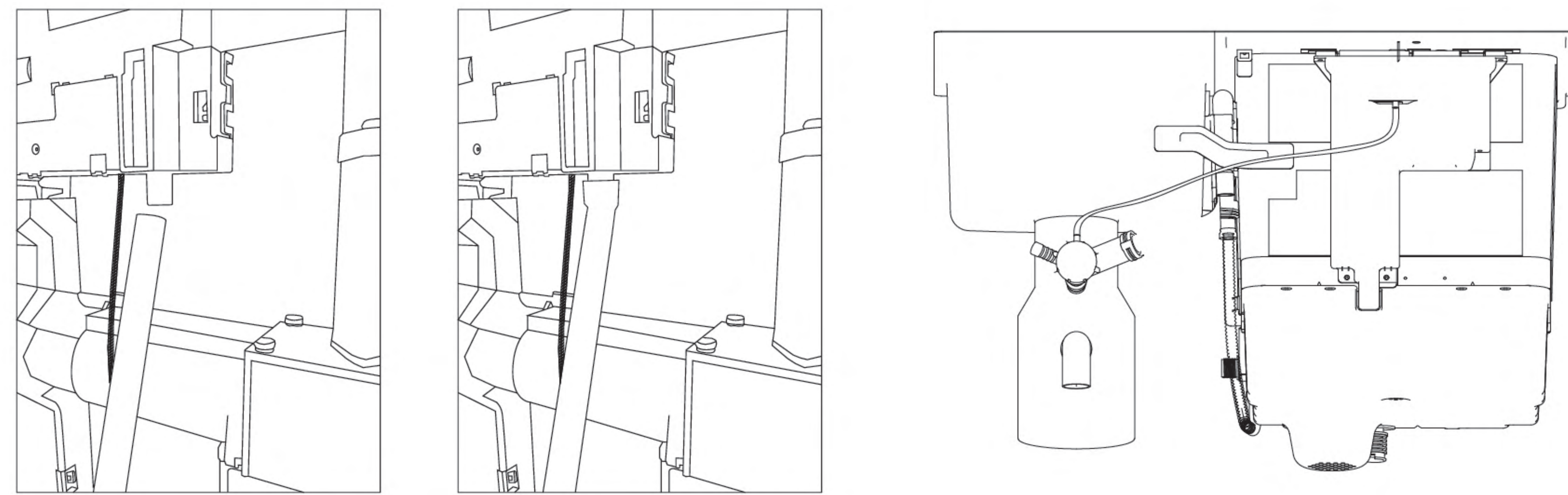


2.用钳子夹下厨余处理器盖子。

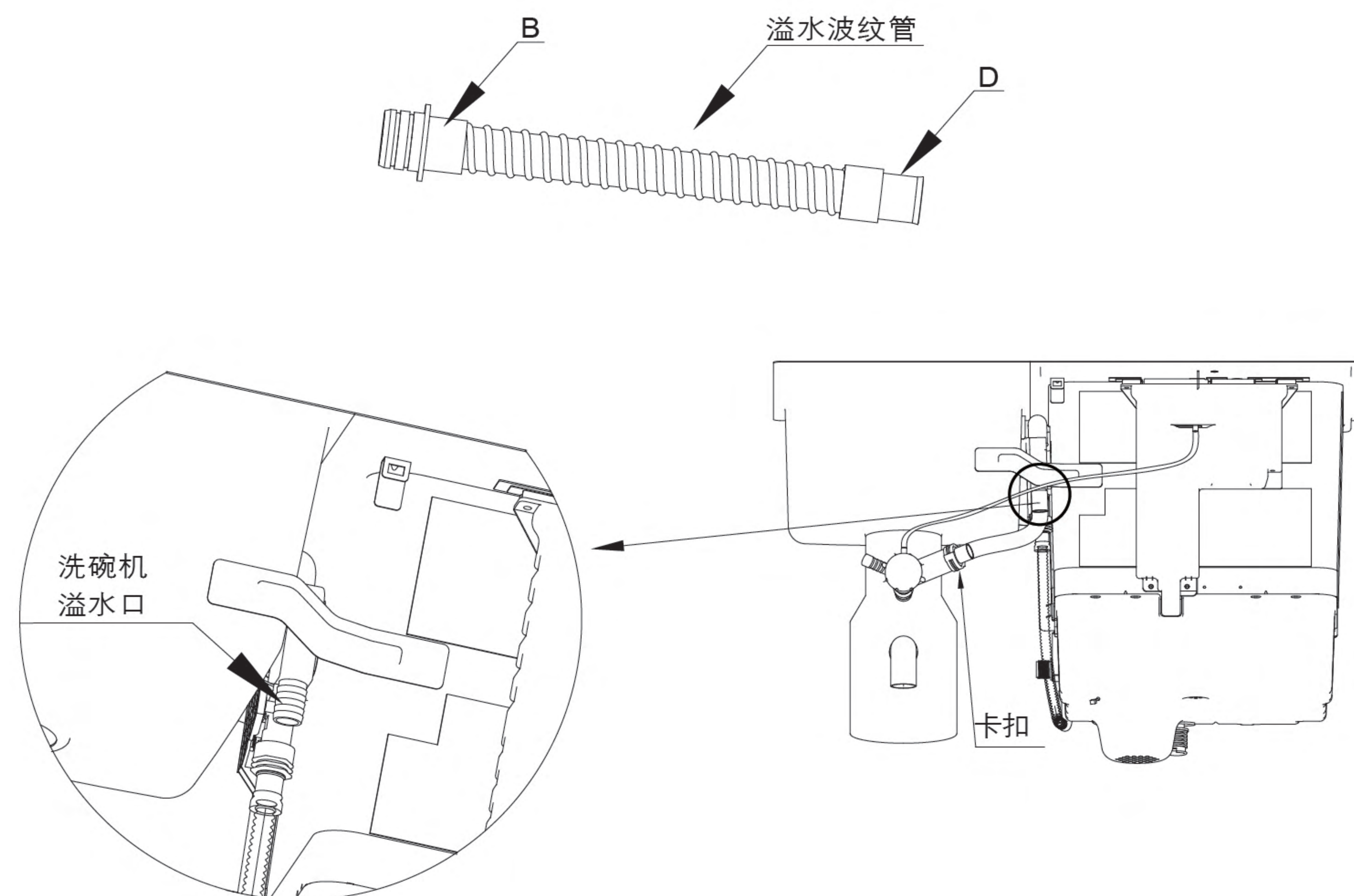
2.将溢水四通组件橡胶接头E先套入卡箍，然后按照下图方向A接口朝上，接入厨余处理器，并将卡箍卡紧。



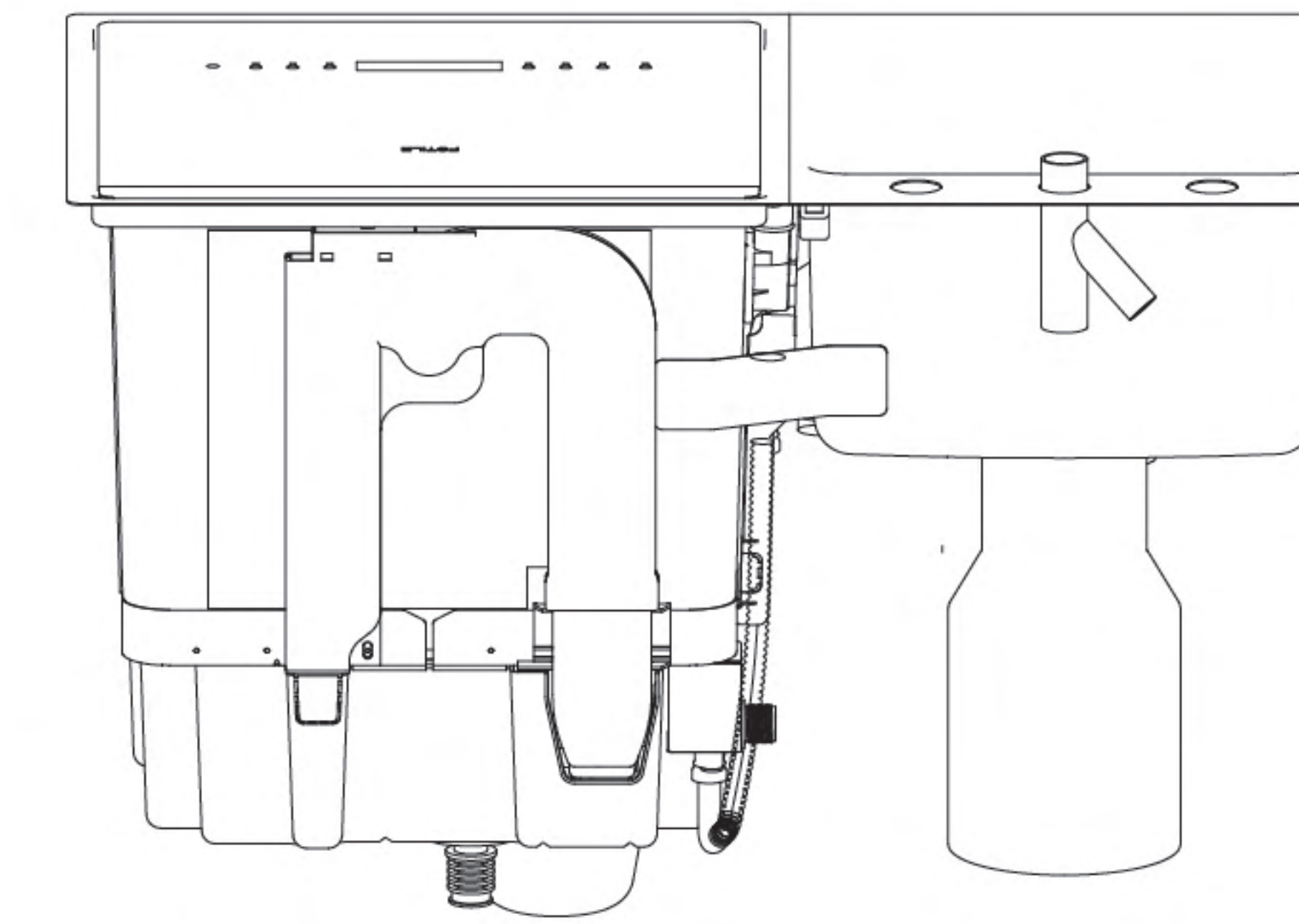
3.将橡胶管的一端接入门锁下方的滴水孔，另一端接入溢水四通组件A接口。



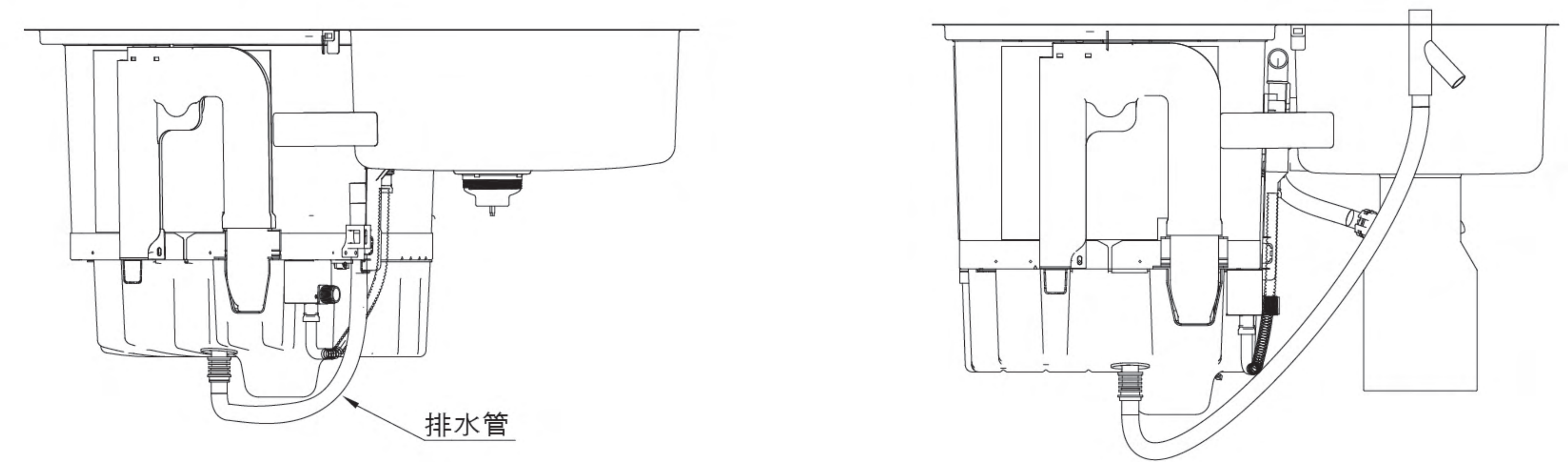
4.将溢水四通组件B接口上的卡扣拆下，将溢水波纹管D接头一端先套入卡箍，然后套入洗碗机溢水出口，用卡箍卡紧；溢水波纹管B接头插入溢水四通组件B接口，并用拆下的卡扣锁住。



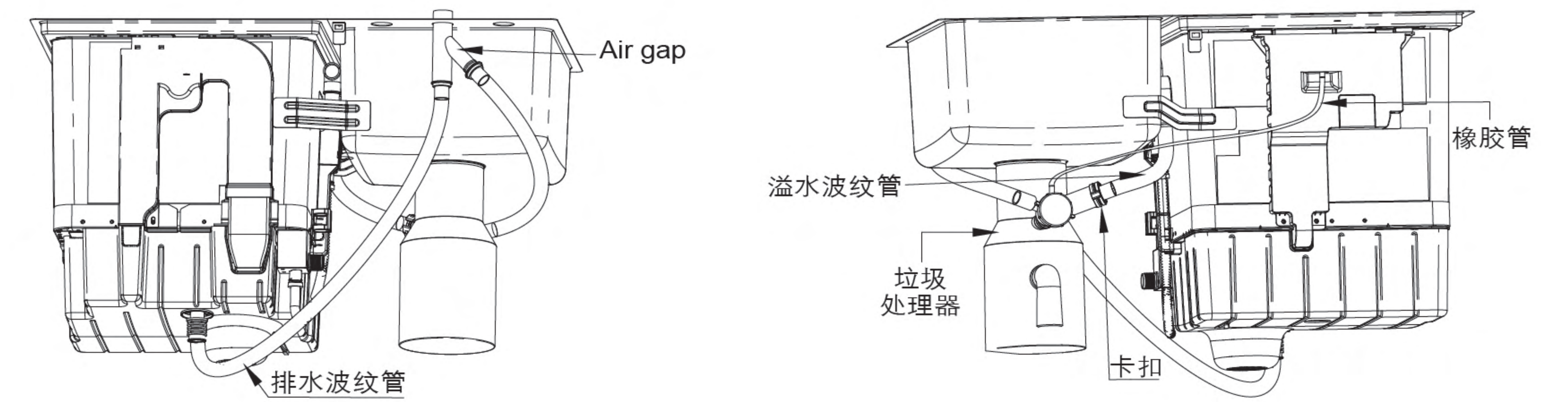
5.建议将Air gap安装在如图所示位置。



6.从机器固定支架上取下排水管，将下水管组件上的密封盖取下，排水管接头上套入卡箍，接入Air gap，并用卡箍卡好锁紧。

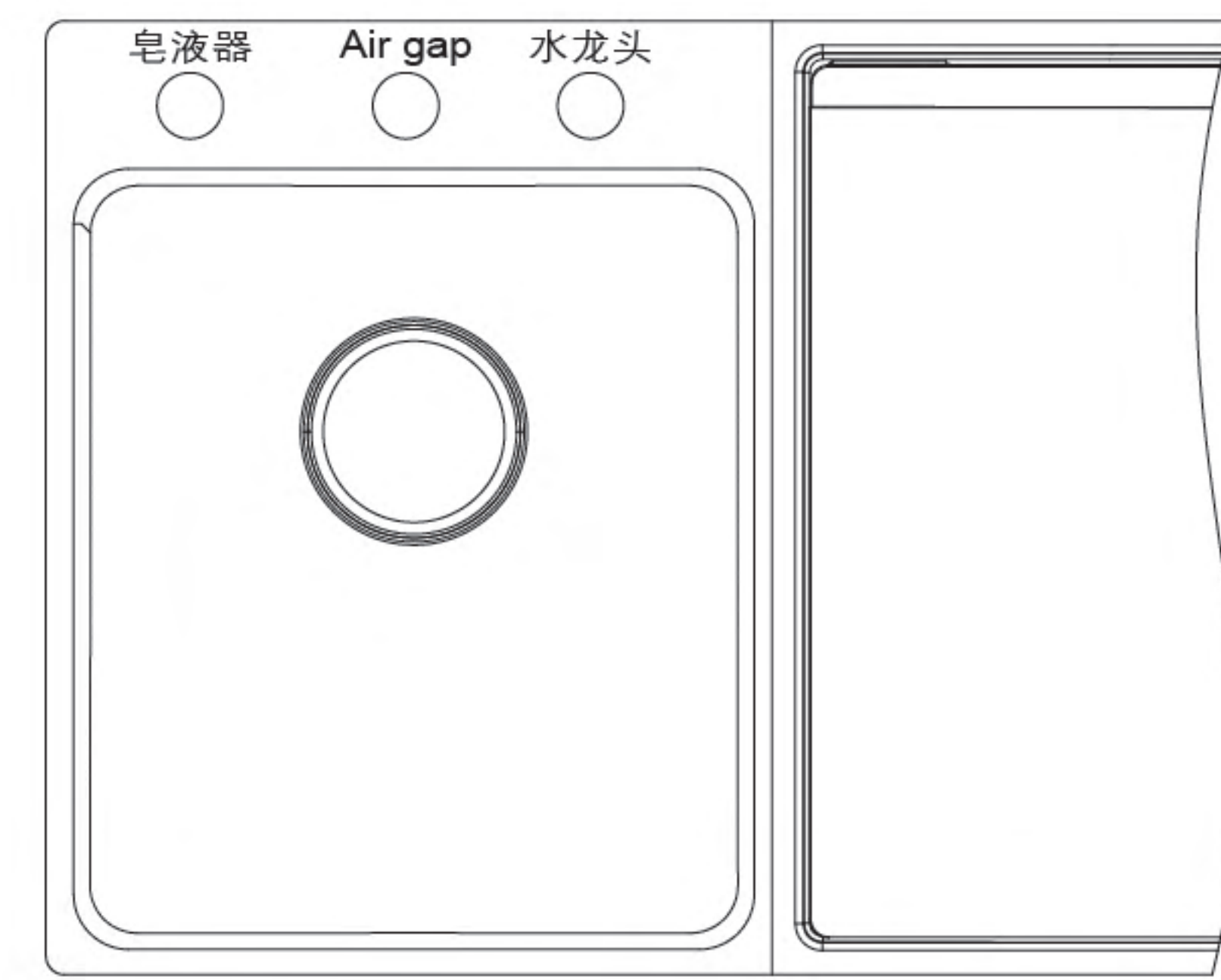


7.用Air gap配套的波纹管将Air gap与溢水四通组件C接口之间连接好。为使得连接紧密，请使用卡箍将接头处卡紧。



8.机器自带管路连接完成。请根据厨余处理器管路连接要求把机器下水管组件跟厨房下水管进行连接。

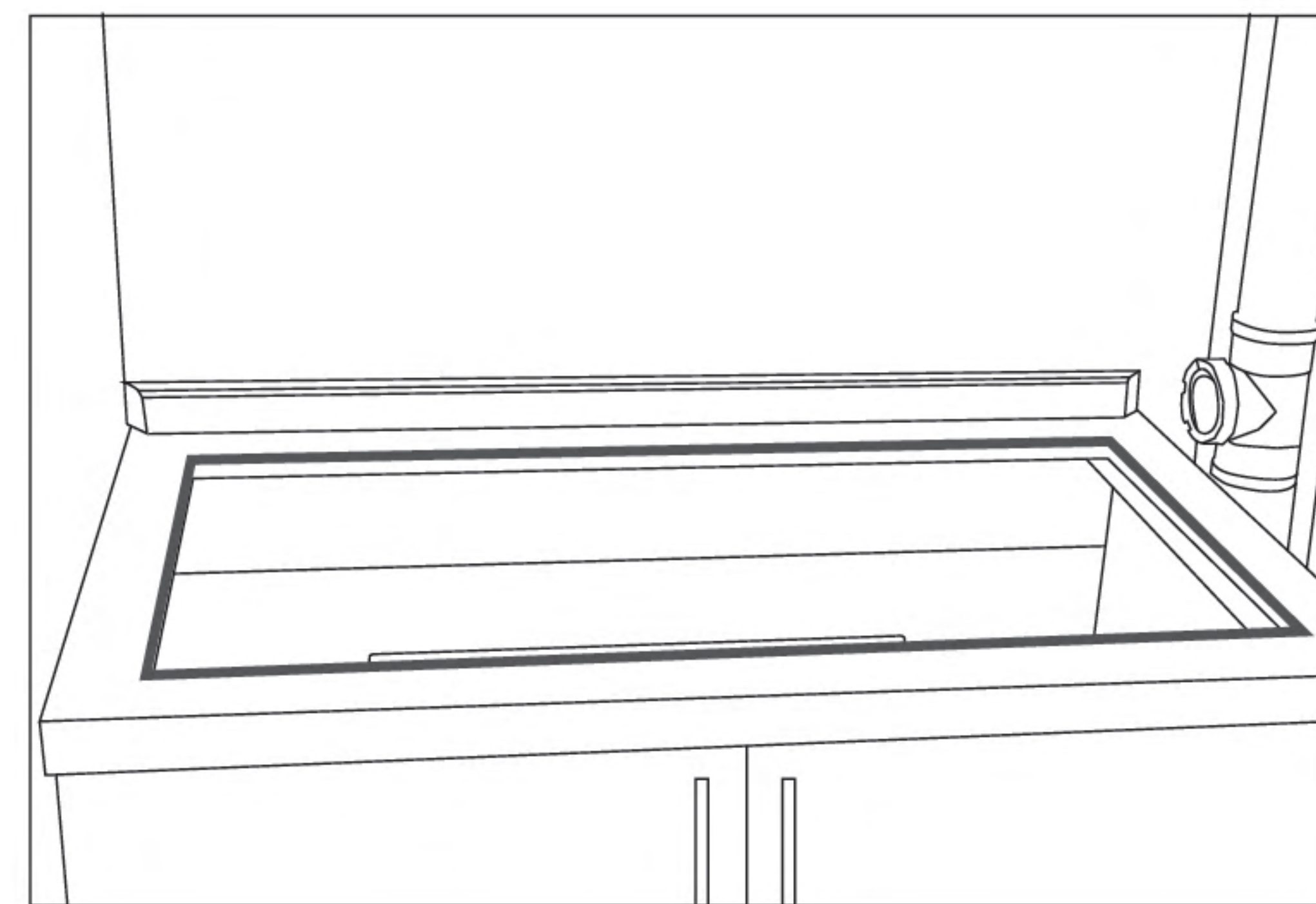
第四步：安装水龙头与三通，推荐的安装位置如图所示。



- 1、安装水龙头并紧固。
- 2、在冷水角阀处连接好三通。
- 3、靠近洗碗机的孔为水龙头孔。

第五步：台面清洁、打胶

- 1、清理安装台面。
- 2、沿安装孔边缘打玻璃胶，确保玻璃胶连续不断点。



第六步：放置水槽洗碗机

- 1、带上防护手套将水槽洗碗机放入开孔中。
- 注：抬洗碗机时禁止手持水龙头，以免水龙头松脱导致漏水。

第七步：连接水路

- 1、正确连接水龙头冷、热水管。
 - 2、连接水槽洗碗机的进水管与冷水阀三通并拧紧。
- 注：洗碗机进水管必须接冷水。
- 3、打开角阀，确保各连接处无漏水

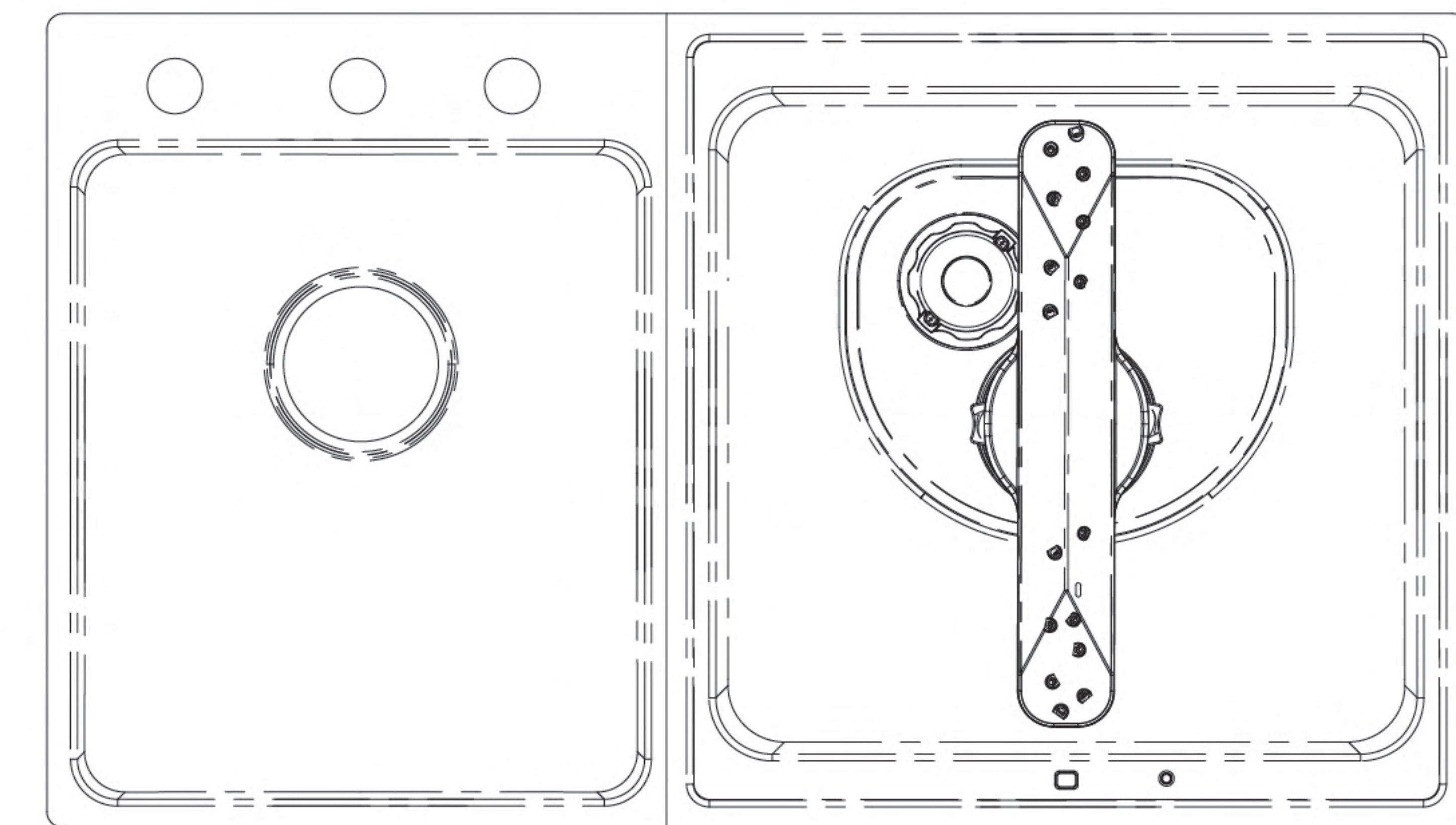
第八步：连接电源，将插头插入120V电源。

第九步：检查管路

- 1、检查与水槽相连接的管路是否漏水。
- 2、检查与功能槽相连接的管路是否漏水。

第十步：收尾

- 1、沿产品边缘打上玻璃胶，确保与台面间隙密封。
- 2、接通电源，按开门键开门，取出槽内所有物件。
- 3、放上过滤板组件。
- 4、安装喷淋臂：捏住喷淋臂下方灰色卡扣，放至图示位置并顺时针旋转，听到“咔哒”声后，拨动喷淋臂，确保旋转顺畅。



5、完成安装。